

UK

INSTRUCTION MANUAL FOR DISHWASHERS

DE

BEDIENUNGSANLEITUNG FÜR GESCHIRRSPÜLMASCHINE

FR

MANUEL D'INSTRUCTIONS POUR LAVE-VAISSELLE

IT

MANUALE DI ISTRUZIONE PER LAVASTOVIGLIE

ES

MANUAL DE INSTRUCCIONES PARA LAVAVAJILLAS

PT

MANUAL DE INSTRUÇÕES PARA MÁQUINA DE LAVAR LOUÇA

NL

HANDLEIDING VOOR AFWASMACHINES

DK

BRUGSVEJLEDNING TIL OPVASKEMASKINE

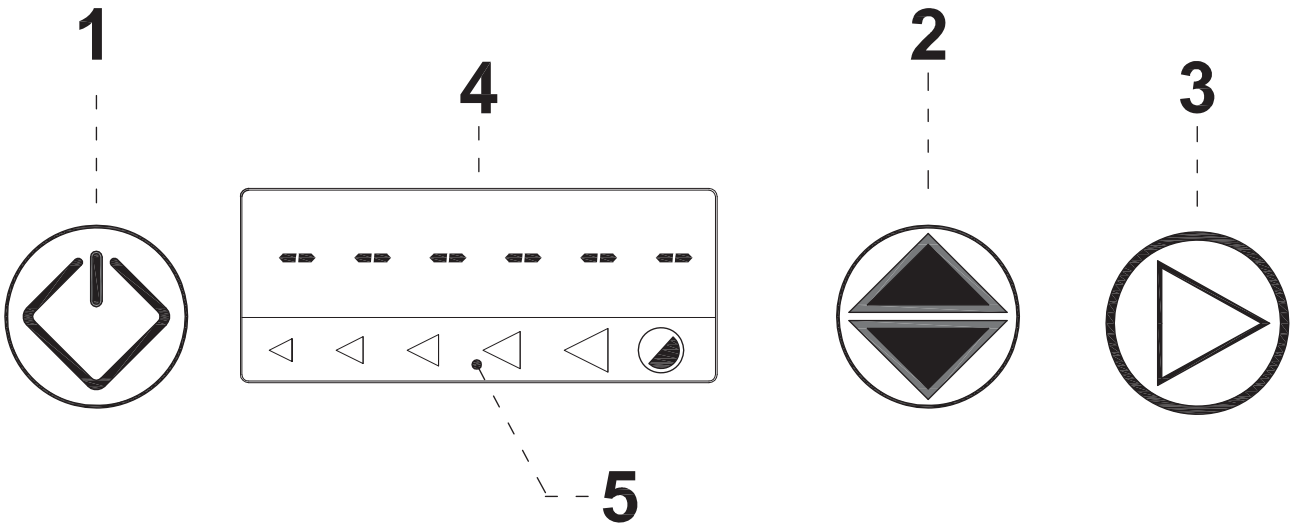
FI

ASTIANPESUKONEEN KÄYTTÖOHJE

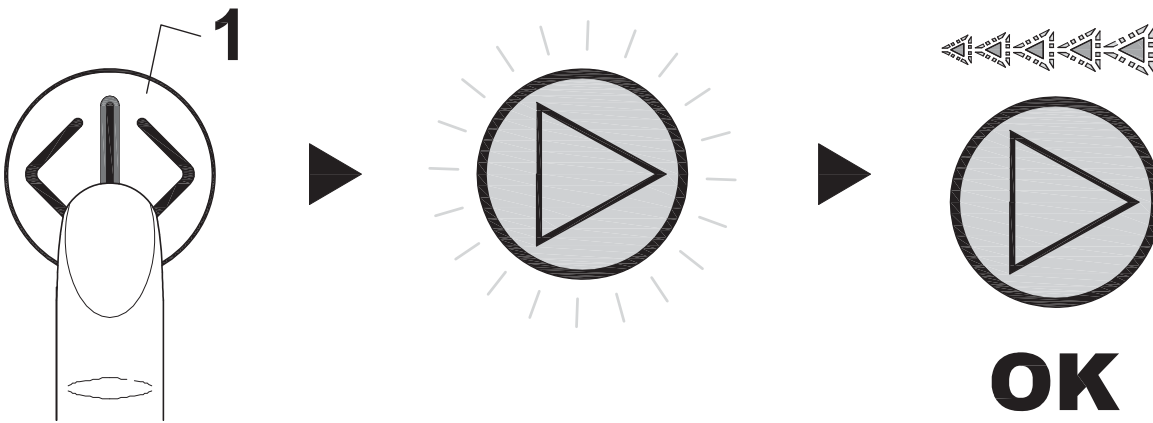
EL

**ΕΧΕΙΡΙΔΙΟ ΧΡΗΣΗΣ ΓΙΑ ΠΛΥΝΤΗΡΙΟ ΠΙΑΤΩΝ**

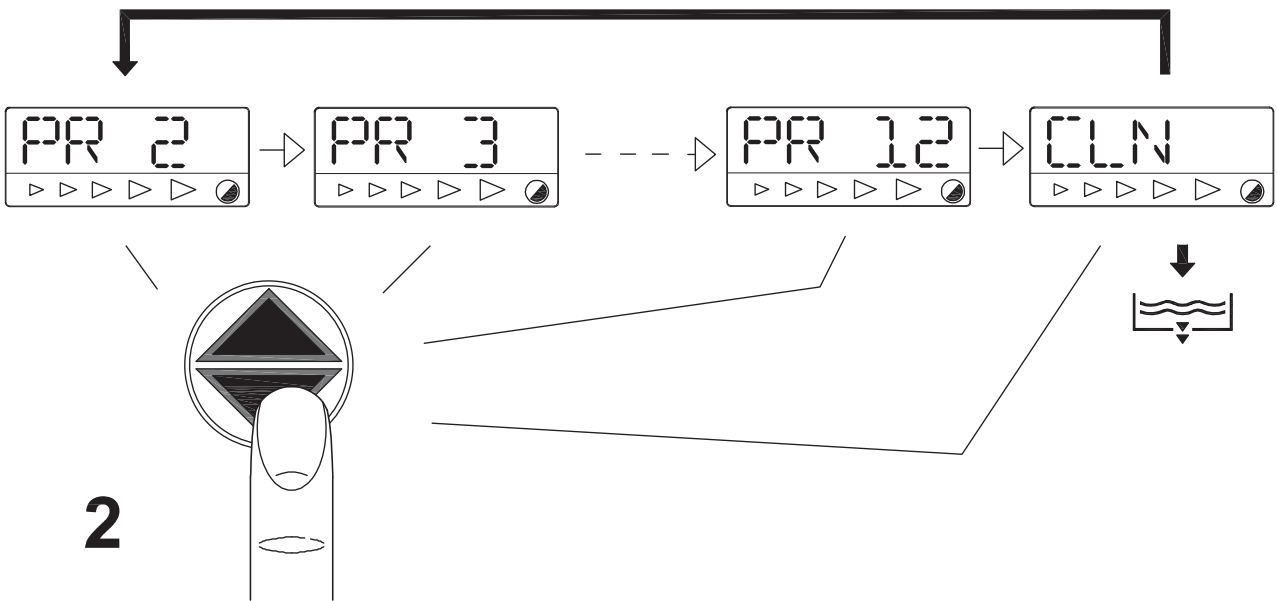




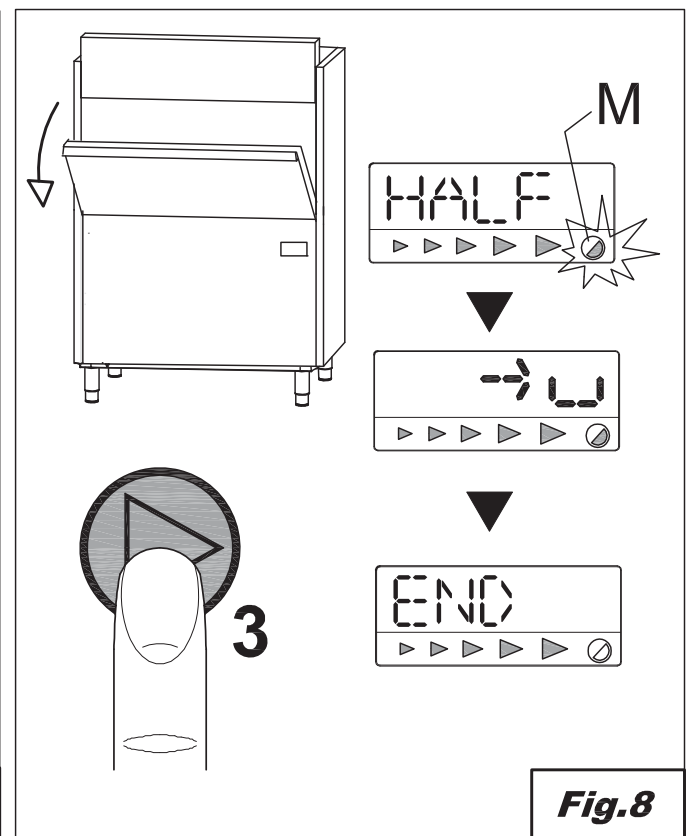
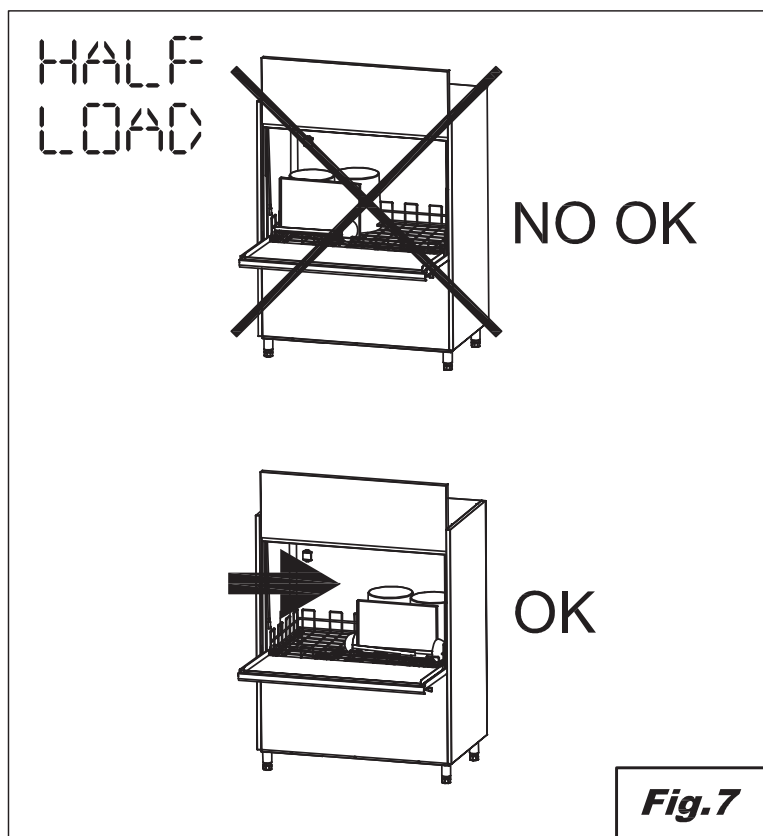
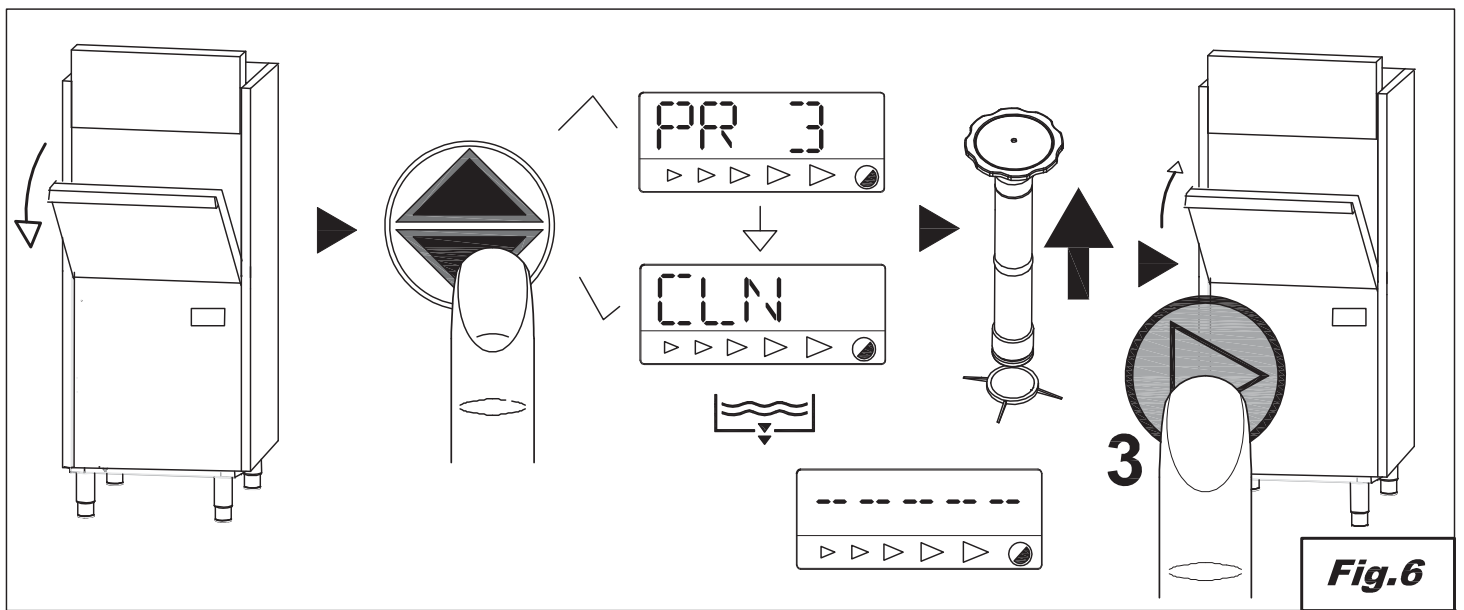
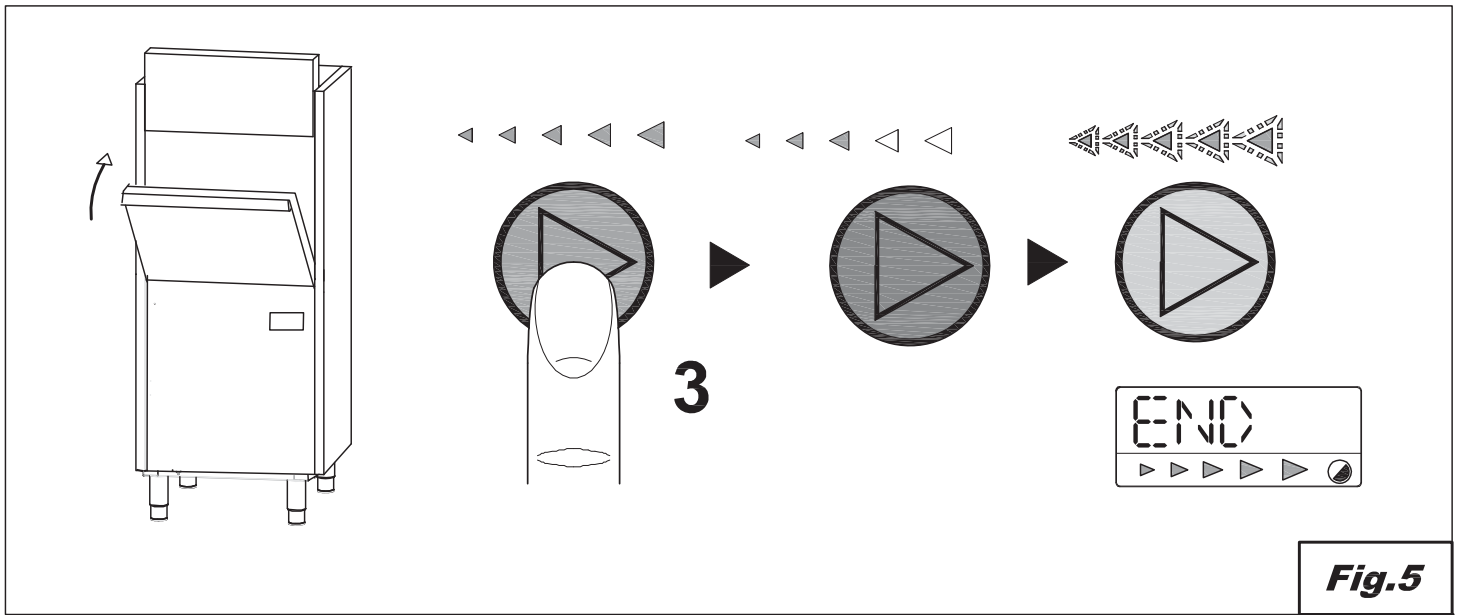
**Fig.1**



**Fig.2**



**Fig.3**



## CONTENTS

<b>CHAP.1</b>	<b>INTRODUCTION</b> .....	<b>3</b>
<b>CHAP.2</b>	<b>INSTALLATION</b> .....	<b>3</b>
2.1	HANDLING AND UNPACKING .....	3
2.2	ELECTRICAL CONNECTION.....	4
2.3	WATER CONNECTION .....	4
2.4	CONNECTION TO THE DRAIN LINE .....	5
2.5	DIFFERENT SETTINGS.....	5
2.6	TEMPERATURES SETTING AND DISPENSERS ADJUSTMENT .....	6
<b>CHAP.3</b>	<b>SAFETY RECOMMENDATIONS</b> .....	<b>7</b>
3.1	RESIDUAL RISKS AND WARNINGS .....	7
3.2	NORMAL SERVICE CONDITIONS .....	7
3.3	DANGEROUS AREAS .....	8
3.4	LEVEL ACOUSTIC PRESSURES .....	9
3.5	ERROR MESSAGES.....	10
<b>CHAP.4</b>	<b>USE OF THE MACHINE</b> .....	<b>11</b>
4.1	LEGEND .....	11
4.2	COMMANDS SELECTION .....	11
4.3	USE OF THE MACHINE.....	12
4.4	FINAL OPERATIONS .....	12
4.5	HALF-LOAD ENABLE, FOR TT924 ONLY .....	13
4.6	TEMPERATURES DISPLAYING.....	14
<b>CHAP.5</b>	<b>MAINTENANCE</b> .....	<b>14</b>
5.1	GENERAL RULES .....	14
5.2	PERIODIC MAINTENANCE (to be done at least every 20 days) .....	14
<b>CHAP.6</b>	<b>RECYCLING AND DISPOSAL</b> .....	<b>15</b>
6.1	DISPOSAL THE MACHINE .....	15
6.2	CORRECT DISPOSAL OF THIS PRODUCT .....	16

---



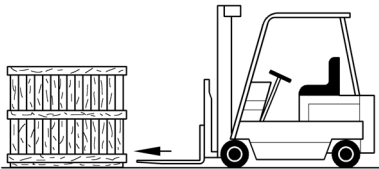
## CHAP.1 INTRODUCTION

The warnings contained in this manual provide important information for safely installing, using and servicing this machine.

The operator is required to read this manual before starting any operation involving handling, installation, use, maintenance or disassembly of the machine. This manual must be kept intact and in a safe place for frequent consultation.

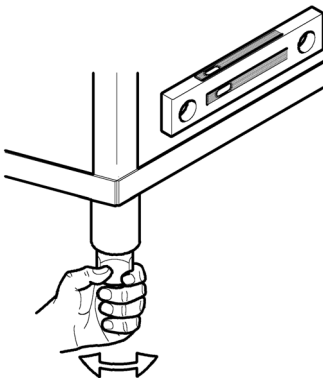
## CHAP.2 INSTALLATION

### 2.1 HANDLING AND UNPACKING



- Move the machine very carefully using a forklift.
- Make sure the equipment is not damaged, if it is immediately inform the dealer and shipper. If in doubt do not use the machine until it has been checked by professionally trained personnel.
- Move the machine to the site where it will be used and remove the packing.

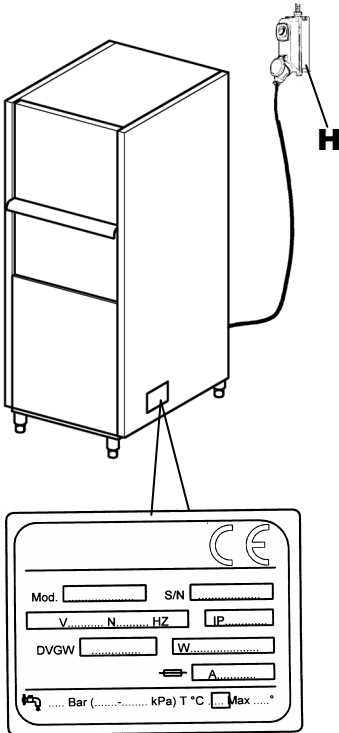
**Packing materials (plastic bags, polystyrene, nails) can be dangerous and must be kept out of the reach of children.**



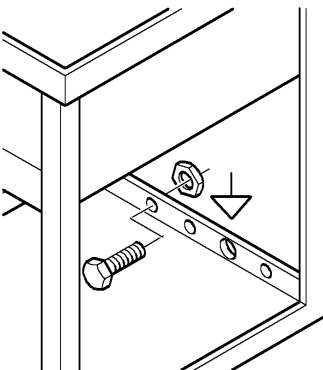
- The installation must be carried out according to the manufacturer's instructions and by professionally trained personnel.
- Only a fixed connection is suitable for this equipment.
- Position the machine and level it perfectly using the feet.
- The flooring must be suitable for the overall weight of the machine.
- Follow the indications on the installation drawing and set-up the electrical, water and drain systems in the wash area.



## 2.2 ELECTRICAL CONNECTION



1. Connection to the power supply must be made with a main switch (H) it must be omnipolar and interrupt all contacts including neutral. There must be a distance of at least 3 mm between open contacts, and it must have a thermal magnetic safety switch or fuses which are able to withstand the maximum power indicated on the plate.
2. Make sure that the power supply corresponds to that on the technical features plate on the right side of the machine.
3. Use an effective earthing system in compliance with local laws to protect the safety of the operators and not damage the machine.
4. Do not use adapters, multiple sockets or extension cords.
5. The equipment must be included in an equipotential system, and connected using a screw marked with the symbol. The equipotential wire must be 10 mm<sup>2</sup>.



If the power supply cable (provided with the equipment) needs to be replaced use another H07RN-F type with the same dimensions.

For additional information see the wiring drawing.

## 2.3 WATER CONNECTION

Set-up the site according the attached plumbing drawing.

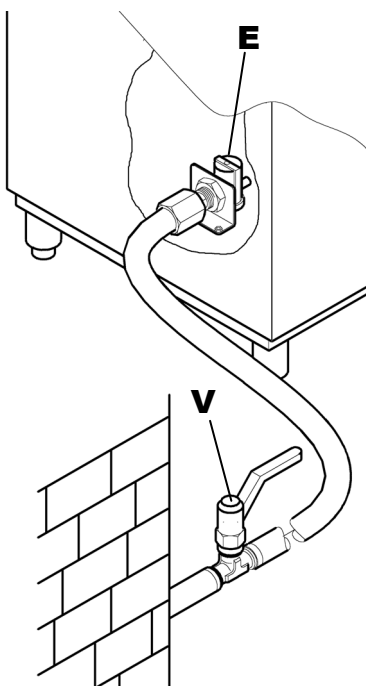
Before connecting the equipment make sure that a gate valve has been placed between the water supply and the equipment so that the water can be turned off if required or for repair work.

Use a hose to connect the solenoid valve (E) to the gate valve (V) and make sure that the delivery is not less than 20l/min.

**Check that the temperature and water pressure correspond to what is shown on the technical specifications plate.**

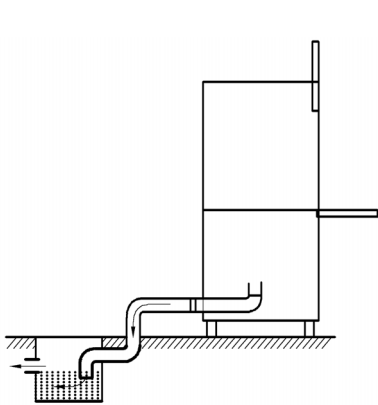
If the water is harder than what is listed in the chart, it is advisable to install a decalcifier upline from the solenoid valve.

If there are high concentrations of very conductive minerals in the water, it is advisable to install a demineralization system calibrated to the hardness shown in the following chart.





	Specification		From	To
Hardness	French degrees	f	5	10
	German degrees	°dH	4	7,5
	English degrees	°e	5	9,5
	Parts per million	ppm	70	140
Residual Minerals	Maximum	mg/l	300/400	



## 2.4 CONNECTION TO THE DRAIN LINE

The tank empties by gravity, so the drain needs to be situated below the base of the machine.

The drain pipe needs to be connected to a drain- trap built into the floor.

The drain dimensions are shown in the installation drawing.

## 2.5 DIFFERENT SETTINGS

Access technical settings “main menu”.

Proceed as described (**fig. 1**)

- Open door or hood.
- Keep push buttons 2 and 3 (cycle selection and start) simultaneously pressed for 5 seconds.
- Then press push button 1 (machine ON/OFF) several times to select the items in the following sequence. Parameters can be enabled or modified by pressing push buttons 2 and 3.
- To quit and store new settings, simply keep push button 1 pressed for a few seconds.

**LANGUAGE:** Select the desired language

**THERMOSTOP:** Thermostop function disable

**ENERGY SAVING:** Energy Saving function enable.

**PREHEATING:** Machine quick pre-heating enable.

**DETERGENT PUMP:** Detergent pump continuous enable. Detergent pump can be loaded by simply keeping push button 3 pressed. It is recommended to load detergent before suction pipe is filled up.

**RINSE AID PUMP:** Rinse aid pump continuous enable. Rinse aid pump can be loaded by simply keeping push button 3 pressed. It is recommended to load rinse aid before suction pipe is filled up.

**DOSAGE TIME DURING WASHING:** This item is used to adjust detergent pump enable time, and thus detergent concentration inside tank. Switching on time can be increased or decreased by pressing push buttons 2 and 3.

**RINSE PRODUCT:** This item is used to adjust rinse aid pump enable time, and thus the quantity of product used. Switching on time can be increased or decreased by pressing push buttons 2 and 3.

**DRAIN PUMP:** This equipment cannot be installed on this machine model.

**WATER SOFTENER:** This equipment cannot be installed on this machine model.

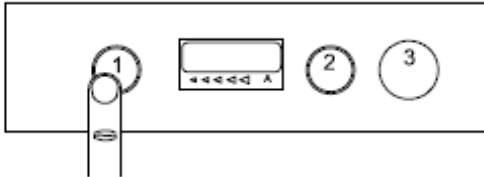
**EXTERNAL SOFTENER CYCLES:** External softener. If an external softener has to be installed, you have to enter a number of washing cycles after which the machine shall warn the operator through a signal that maintenance is needed.

**CYCLE COUNTER:** Total number of cycles made by the machine.

## 2.6 TEMPERATURES SETTING AND DISPENSERS ADJUSTMENT

### - Temperatures Setting:

Keep push button 1 pressed for a few seconds, and the following message will appear " A BOILER SET TEMPERATURE". Use push buttons 2 and 3 to increase or decrease boiler temperature set.



Press push button 1 several times, and tank temperature adjustment message "B TANK SET TEMPERATURE" will appear. For models featuring flatware washing cycle, flatware cycle temperature can be adjusted by pressing push button 1 again and displaying C FLATWARE.

Washing temperature can be changed always using push buttons 2 and 3.

To quit, keep push button 1 pressed.

Note :

It is recommended to turn machine off and on again pressing line push button 1 several times.

### - Detergent Dispensers Adjustment.

**Warning: Use liquid, industrial-type detergent, and without foam.**

Access technical settings "main menu" as described in section 2.5. Use push button 1 to scroll the menu until reaching "DOSAGE TIME DURING WASHING". The displayed time corresponds to detergent dispenser enabling time during programme washing phase. This time can be changed using push buttons 2 and 3. Keep push button 1 pressed until hyphens are displayed to quit. Set time adds up to operating time for starting loading. Detergent motor pump has a flow of 3 Litres/hour.

We remind you that the quantity of detergent varies - based on the indications given on jerry can plate - from 2 to 4 gr./L for waters with hardness ranging from 5 to 10 °F (French degrees).

- **Rinse Aid Dispensers Adjustment.**

Access technical settings "main menu" as described in section 2.5. Use push button 1 to scroll the menu until reaching RINSE AID PUMP. The displayed time corresponds to rinse aid enabling time at the end of washing programme. This time can be changed using push buttons 2 and 3. Keep push button 1 pressed until hyphens are displayed to quit. Set time adds up to operating time for starting loading.

Detergent motor pump has a flow of 0.4 Litres/hour.

## CHAP.3 SAFETY RECOMMENDATIONS



### 3.1 RESIDUAL RISKS AND WARNINGS

- Never open the door quickly if the cycle has not finished.
- Do not put bare hands into the wash solution.
- Never remove the machine panels if the power upline has not been turned off.
- The professionally trained personnel who install the machine and connect the electricity, will explain to the user how to operate the machine and which safety measures to use.
- The installer will provide practical demonstrations and leave written instructions which are provided with the machine.
- **This machine is only to be used for the purpose for which it was designed. Any other use is considered improper and dangerous.**
- The machine is not to be used by untrained personnel.
- Never use the machine if any of the protections (microswitches, panels or other) provided by the manufacturer are missing.
- Do not use the machine to wash objects not compatible with those indicated by the manufacturer.
- All repair work must be done by the manufacturer or an authorized service center using original spare parts.
- Failure to observe this may affect the safety of the machine.
- The power supply should be turned off when the machine is not being used.
- Do not approach magnetic objects to the machine, as it could be inadvertently started.

#### IT HAS TO BE WELL NOTED THAT:

- **The machine shall be perfectly grounded. Such a connection shall also be checked and tested at regular intervals.**

### 3.2 Normal service conditions

**Ambient Temperature : 40°Cmax /4°Cmin ( average 30°C)**

**Altitude : until 2000 me trical**

**Relative humidity : max 30% at 40°C / max 90% at 20°C**

**Transport and Storage : between -10°C and 55°C with peack until 70°C ( max 24 hrs )**

### 3.3 DANGEROUS AREAS

Identification of the dangerous areas and types of danger (see fig. 9 on the next page) involved, and general description of protection measures



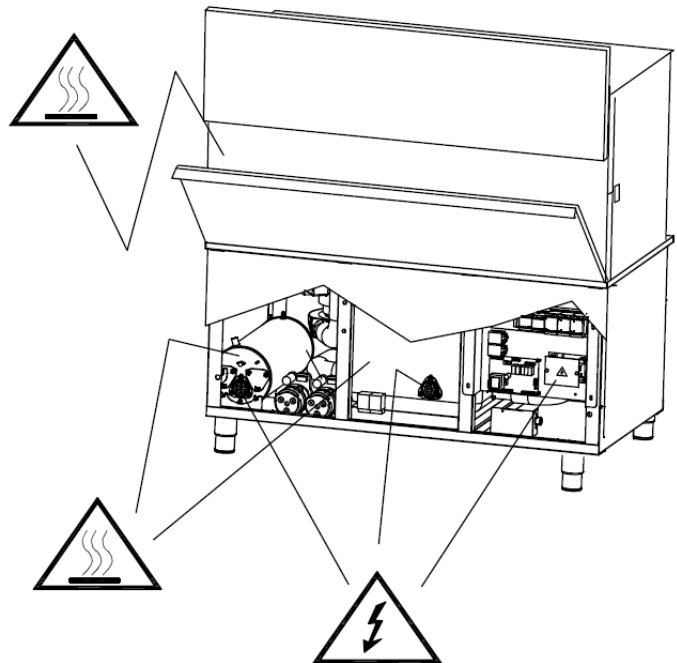
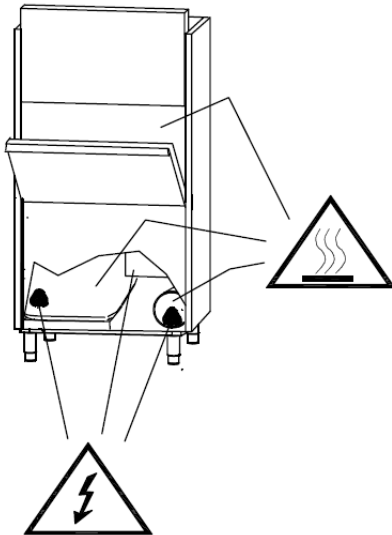
#### **Dangerous electrical current.**

- general control panel
- electric pump
- fan

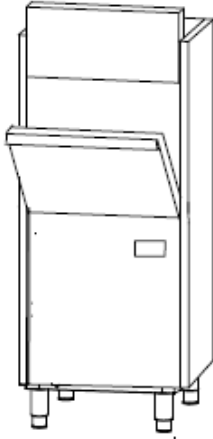


#### **Danger of being burned**

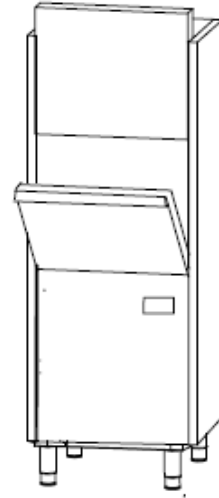
Hot parts



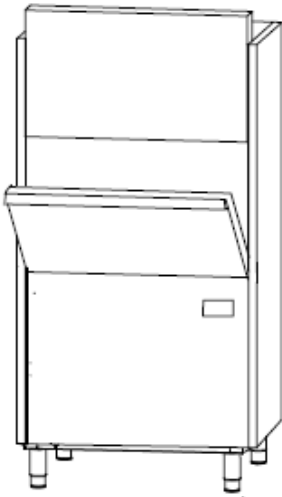
3.4 LEVEL ACOUSTIC PRESSURES



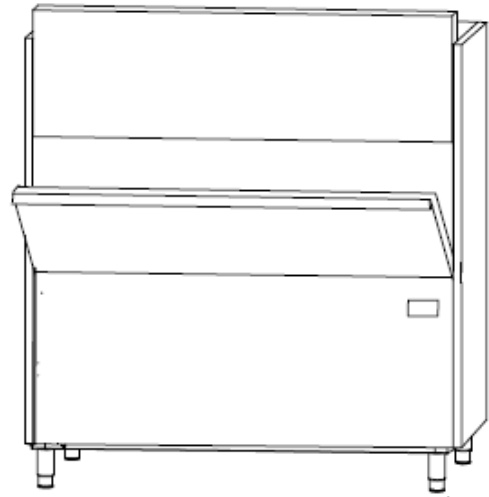
66 dB



66,8 dB



67,4 dB



74,3 dB

### 3.5 ERROR MESSAGES

#### **Do as if the following messages are displayed:**

##### ***ER 01 No Rinse***

This type of error is displayed when the rinse cycle has not been correctly carried out. It is thus recommended to check that rinse spraying nozzles are free from any obstruction, then carry out a new washing programme. If the problem still occurs, contact an authorised service centre.

##### ***ER 02 No Drain***

This type of message is displayed when the tank has not been correctly drained.

Turn the machine OFF and then ON again; then select the drain cycle and:

- Make sure that overflow is removed from tank drainage during drain cycle (applying to versions featuring the overflow device). then carry out another drain cycle or self-cleaning cycle. If the problem still occurs, contact an authorised service centre.

##### ***ER 03 No Heating***

This type of message is displayed when boiler heating has not been correctly carried out. Turn the machine OFF and ON again. Repeat the set programme. If the problem still occurs, contact an authorised service centre.

##### ***Strange Noise During Heating.***

Resistance totally encrusted by lime or salts present inside highly-conductive waters. We recommend changing. Please check for machine water softener correct operation.

##### ***ER04 Tank not loaded or tank water level sensor broken.***

This message is displayed when a problem during loading occurred.

It is recommended to make sure that:

- Water is present in the network.
- Overflow device is correctly enabled (applying to models having this feature).
- Water flow and pressure are suitable to the machine being used.

It is recommended to turn the machine OFF and ON again without emptying the tank. If the problem still occurs contact an authorised service centre.

##### ***ER05 ;ER E6 Tank temperature sensor broken.***

This message is displayed when the sensor checking washing water temperature is broken.

Er 05: sensor open

Er 06: sensor short circuit.

It is recommended to contact an authorised service centre

##### ***ER 07; ER 08 Boiler temperature sensor broken.***

This message is displayed when the sensor checking boiler water temperature is broken.

Er 07: sensor open

Er 08: sensor short circuit.

It is recommended to contact an authorised service centre

##### ***ER 09 Boiler not loaded or boiler level sensor broken.***

This type of message is displayed when boiler is not correctly loaded. To prevent kitchenware incorrect washing, the machine will stop.

- Make sure that water flow and pressure are correct.  
It is recommended to contact an authorised service centre.

***HIR b Rinsing temperature too high.***

This type of message is displayed when boiler temperature sensor reads a too high temperature.

Boiler set temperature shall be decreased.

We remind you that safety devices can be triggered and high temperatures signalled if the machine is installed at a height equal to or higher than 2,000 metres above sea level. If this is the case, reduce all heating sets as water boiling point is lower.

***HIW T Washing temperature too high.***

This type of message is displayed when tank temperature sensor reads a too high temperature. Tank set temperature shall be decreased.

***SAFE Safety thermostats triggering***

It is recommended to contact an authorised service centre

## CHAP.4 USE OF THE MACHINE

### 4.1 LEGEND

**Fig.1** shows:

1	ON/OFF BUTTON	4	INFORMATION DISPLAY
2	PROGRAMME SELECTION BUTTON	5	TIME BAR
3	START BUTTON		

### 4.2 COMMANDS SELECTION

1 ) To turn the machine ON, press **1 (fig. 1)**.

Warn.light **3** starts flashing, and the machine starts the loading cycle. Do not forget to correctly enable overflow, tank filters, and then close door.

Once loading cycle is completed, the machine will automatically start the heating cycle and, at the same time, will suck the set quantity of detergents.

2) The machine is ready for use when warn.light **3** will be green and steady on. **(fig. 2)**.

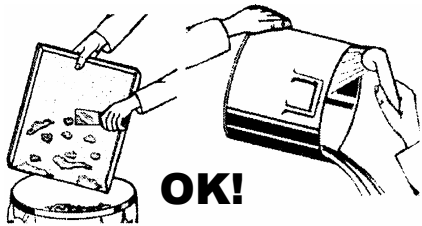
3) Select washing programme duration based on your needs and using push button **2 (fig. 3)**.

2 to approx. 12 minute washing programmes and a CLS self-cleaning programme can be selected. The selected programme will be stored for the following usage.

4) Open the door and introduce the kitchenware to be washed arranging it as described in the following section "4.3 Arranging the Kitchenware." Then close the door, and start the selected

washing cycle pressing push button 7. The button will light up blue for the entire duration of the cycle.

5) Once washing is finished, three audible beeps will be heard, and the **end** wording will be displayed (**fig. 5**). Open the door and take out basket. Wait for a few seconds to allow all objects correct drying.

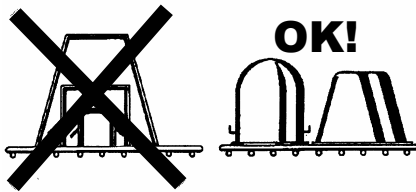


#### 4.3 USE OF THE MACHINE

**WE RECOMMEND TO PRE-CLEAN** the glassware in order to minimize maintenance. The quality of final wash results will be greatly improved by first removing food particles, lemon peels, toothpicks, olive pits, etc. which could partially clog the pump filter and impair washing efficiency.

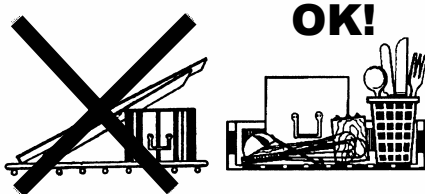
**We recommend washing the glassware before food particles dry on its surface. It is good practice, when dried food waste is involved, to first soak the glassware and silverware before introducing them into the machine.**

- Pour the proper amount of detergent in the wash tank according to the producer's instructions.



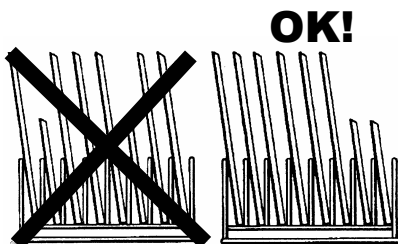
- The detergent must be the industrial type or possibly foamless.

- Never put your bare hands in the wash water; place the cups and the glasses upside down in the baskets. Place the dishes in the proper basket with support pins and their inner surface must be facing up.



- Place the silverware and the coffee spoons with the handles facing down.

- Never place silverware and stainless steel cutlery in the same basket. This could cause the silver to burnish and the stainless steel to corrode.



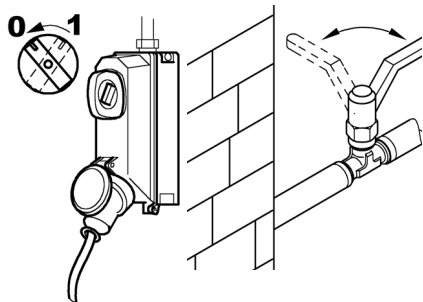
- Use the proper baskets specifically designed for the different type of glassware (dishes, glasses, cups, silverware etc.). To save on detergent and electricity only wash when the baskets are full, but do not overload them. Avoid stacking glassware.

#### 4.4 FINAL OPERATIONS

- Carry out a self-cleaning cycle.
- Press push-button 2 (**fig 6**) to select "CLS" programme, then remove filters and overflow device, close door, and press push-button 3.



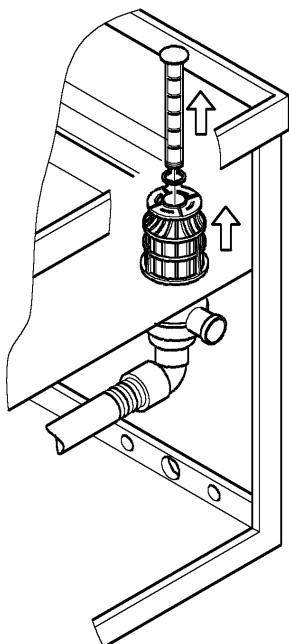
- Once drain is over, the machine will carry out two rinse cycles, and will then be automatically switched off
- Remove tension from the machine.



- Open the door and remove the rack with clean dishes.
- Drain the water from the tank by lifting the overflow-pipe. For the model with drain pump please follow the operations described in the «Use instructions» paragraph.

- Disconnect the main switch of the equipment.

- Close the «rolling shutter valve» for the hydraulic connection.



- Remove the filters clean them under a water jet with a nylon brush.

- Pay attention not to let any dirtiness rests on the bottom of the drain pump filter inside the tank. Clean the tank with a moderate water jet. Wash outside surfaces when are cold with non-abrasive products which are especially studied for steel maintenance.

**REMARK:** Do not wash the equipment with direct jet or at another pressure because eventual infiltrations to the electric components may harm the regular working of the equipment or of the single safety systems, and penalty for this would be the loss of guarantee.

#### 4.5 HALF-LOAD ENABLE, FOR TT924 ONLY

The "half-load" function can be enabled when just a few objects have to be washed. This allows saving power as well as water and detergents.

- 1) Load the machine with the kitchenware to be washed well arranged on the right side, as shown in ( Fig. 7 ).
- 2) Open the door, and keep start push-button 3 pressed until warning light M (Fig 8) comes on.
- 3) Close door, and enable the washing cycle as described in the previous paragraph.

4) A symbol will be displayed during the washing cycle to indicate that just half of the machine is working.

## 4.6 TEMPERATURES DISPLAYING

Rinse temperature always appears on display 9 (*fig. 1*). Keep push button 4 pressed for a few seconds (*fig. 4*) so as to display washing temperature, and then the number of washing cycles carried out during machine entire life.

## CHAP.5 MAINTENANCE

### 5.1 GENERAL RULES

The machine are designed to reduce maintenance requirements. It is necessary to observe the following rules to make the machine last long, and work without problems.

In any case, it is necessary to observe the following rules to make the machine stay in perfect working order:

- keep the machine clean and in good condition
- avoid making temporary or urgent repairs frequently

It is very important to observe the maintenance directions; check all the different parts of the machine periodically, so that no anomaly can occur, thus anticipating the time and equipment needed for any maintenance work.

**Before cleaning turn off the power.**

### 5.2 PERIODIC MAINTENANCE (to be done at least every 20 days)

To make operations following easier, the rack-holder frame can be removed from its seat.

- Remove the upper and lower rinse arms, by unscrewing the fastening.
  - Unscrew and clean all the sprayers and put them back in their place.
  - Remove the upper and lower wash-arms by unscrewing the rinse pin , clean and rinse them.
-

- Remove the wash pump filter, clean it and rinse it.
- Thoroughly clean the wash tank.
- Leave the appliance lid open for the whole resting period.
- Lime deposits and scale will build up on the inner surfaces of the boiler, tank and pipelines due to calcium and magnesium salts present in the water. These scales and deposits can prejudice proper appliance operation.
- The appliance must be periodically descaled and we recommend that this must be done by an expert.
- Grease steel surfaces with vaseline oil whenever the appliance will be inactive for a long period of time.
- Have an expert drain all the water out from the boiler and the wash pump to avoid the danger of ice formation.
- **If the machine does not operate properly or in case of trouble, call a service center authorized by the manufacturer of the appliance or by his Dealer.**



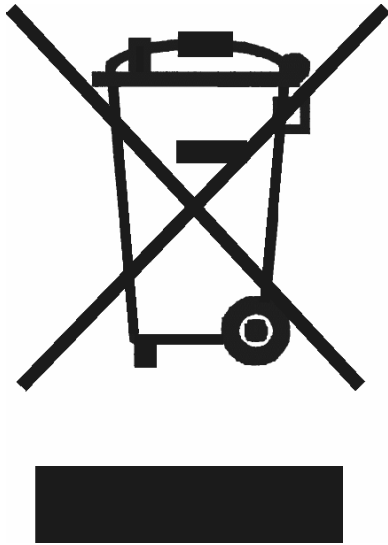
## **CHAP.6 RECYCLING AND DISPOSAL**

### **6.1 DISPOSAL THE MACHINE**

Our machines are not made of materials that require particular disposal procedures.

---

## 6.2 CORRECT DISPOSAL OF THIS PRODUCT (Waste Electrical & Electronic Equipment)



This marking shown on the product or its literature, indicates that it should not be disposed with other household wastes at the end of its working life. To prevent possible harm to the environment or human health from uncontrolled waste disposal please separate this from other types of wastes and recycle it responsibly to promote the sustainable reuse of material resources.

Household users should contact either the retailer where they purchased this product or their local government office, for where and how they can take this item for environmentally safe recycling.

Business users should contact their supplier and check the terms and conditions of the purchase contract. This product should not be mixed with other commercial wastes for disposal.

# INHALT

<b>KAP.1 VORWORT .....</b>	<b>17</b>
<b>KAP.2 INSTALLATION .....</b>	<b>17</b>
2.1 BEFÖRDERUNG UND AUSPACKEN .....	17
2.2 STROMANSCHLUSS .....	18
2.3 WASSERANSCHLUSS .....	18
2.4 ANSCHLUSS AN DIE ABLAUFLEITUNG .....	19
2.5 VERSCHIEDENE EINSTELLUNGEN .....	19
2.6 TEMPERATUREINGABE UND EINSTELLUNG DER DOSIERER .....	20
<b>KAP.3 SICHERHEITSHINWEISE .....</b>	<b>21</b>
3.1 EVENTUELLE GEFAHREN UND WARNHINWEISE .....	21
3.2 NORMAL WARTUNG BEDINGUNGEN .....	22
3.3 GEFÄHRLICHE STELLEN.....	22
3.4 EBENE AKUSTISCHE DRÜKE.....	23
3.5 FEHLERMELDUNGEN.....	24
<b>KAP.4 BETRIEB DER MASCHINE .....</b>	<b>25</b>
4.1 ZEICHEN .....	25
4.2 WAHL DER STEUERUNGEN.....	25
4.3 BETRIEB.....	26
4.4 TÄTIGKEITEN BEI ENDE DES SPÜLGANGES .....	27
4.5 EINSCHALTEN DER HALBEN LADUNG - NUR BEI DER TT924 .....	27
4.6 TEMPERATURANZEIGE.....	28
<b>KAP. 5 WARTUNG.....</b>	<b>28</b>
5.1 ALLGEMEINE VORSCHRIFTEN.....	28
5.2 REGELMÄSSIGE WARTUNG ( mindestens alle 20 Tage) .....	28
<b>KAP. 6 ABBAU .....</b>	<b>29</b>
6.1 ABBAU DER MASCHINE .....	29
6.2 KORRELTE ENTSORGUNG PRODUKTS .....	30

---



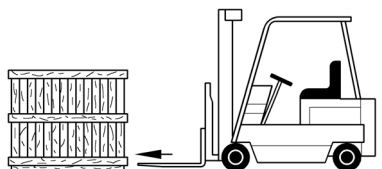
## KAP.1 VORWORT

Die in diesem Handbuch enthaltenen Vorschriften geben wichtige Hinweise zur Sicherheit der verschiedenen Phasen: Installation, Bedienung und Wartung.

Das Bedienungspersonal hat die obligatorische Pflicht, das vorliegende Handbuch zu konsultieren, bevor die Maschine bewegt, installiert, benutzt, gewartet oder außer Betrieb gesetzt wird. Das Handbuch muss deshalb in vollständigem Zustand aufbewahrt werden und eventuell sind Kopien für die laufende Benützung bereitzuhalten.

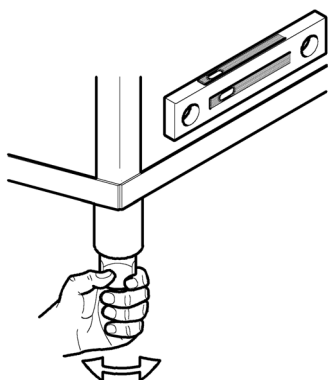
## KAP.2 INSTALLATION

### 2.1 BEFÖRDERUNG UND AUSPACKEN



- Die Beförderung muss mit äußerster Sorgfalt mittels Hubstapler erfolgen.
- Zustand der Maschine kontrollieren; im Falle sichtbarer Beschädigungen umgehend den Verkäufer und den Spediteur, der den Transport durchgeführt hat, informieren. Im Zweifelsfall die Maschine nicht benützen, bevor sie nicht von Fachpersonal überprüft wurde.
- Die Maschine an die zur Installation vorgesehene Stelle transportieren und von der Verpackung befreien.

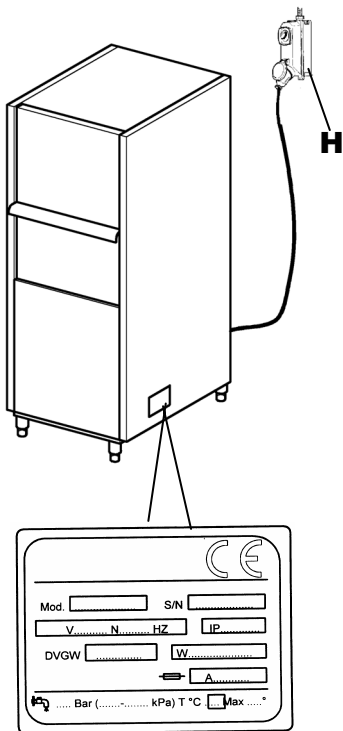
**Die Verpackungselemente (Plastiksäcke, Polystyrol, Nägel, etc.) dürfen nicht für Kinder erreichbar sein, da sie eine potentielle Gefahr darstellen.**



- Die Installation muss nach Anleitung des Herstellers von qualifiziertem Fachpersonal durchgeführt werden.
- Dieser Apparat ist nur für einen festen Anschluss geeignet..
- Die Maschine in die richtige Position bringen und perfekt ausbalancieren, indem man die entsprechenden Füßchen reguliert.
- Der vorgesehene Bodenbelag muss dem Gesamtgewicht der Maschine entsprechend beschaffen sein.
- Unter Einhaltung der Hinweise auf dem Installationsplan sind die Strom- und Wasserversorgung, sowie die Abflussanlage vorzubereiten.



## 2.2 STROMANSCHLUSS



1. Der Netzanschluß muss mit einem Hauptschalter (H) für alle Pole versehen sein, so dass er alle Kontakte – einschließlich der Erdleitung - unterbricht; Mindestabstand von 3 mm zwischen offenen Kontakten; mit thermomagnetischer Auslösung oder verbunden mit Schmelzsicherungen, die in der Lage sind, die angegebene Höchststromstärke auszuhalten.
2. Sicherstellen, dass die Spannung und Frequenz des Stromnetzes den Angaben des Schildes auf der rechten Seite der Maschine entsprechen.
3. Eine fachgerechte Erdung, wie sie von den geltenden Unfallverhütungsvorschriften vorgegeben wird, stellt eine Garantie für die Sicherheit des Bedienungspersonals und der Maschine dar.
4. Die Verwendung von Zwischensteckern, Mehrfachsteckern und Verlängerungskabeln ist ausdrücklich untersagt.
5. Außerdem muss das Gerät in ein Äquipotentialsystem eingebaut werden, dessen Verbindung durch eine mit dem Symbol gekennzeichnete Schraube ausgeführt ist. ↓  
Der Äquipotentialleiter muss einen Querschnitt von 10 mm<sup>2</sup> haben.



Das mitgelieferte Versorgungskabel darf nur durch eines mit gleichem Querschnitt vom Typ H07RNF ersetzt werden.

Für weitere Informationen das beiliegende Schaltbild beachten.

## 2.3 WASSERANSCHLUSS

Den Aufstellungsort gemäß beliegendem hydraulischem Schema vorbereiten.

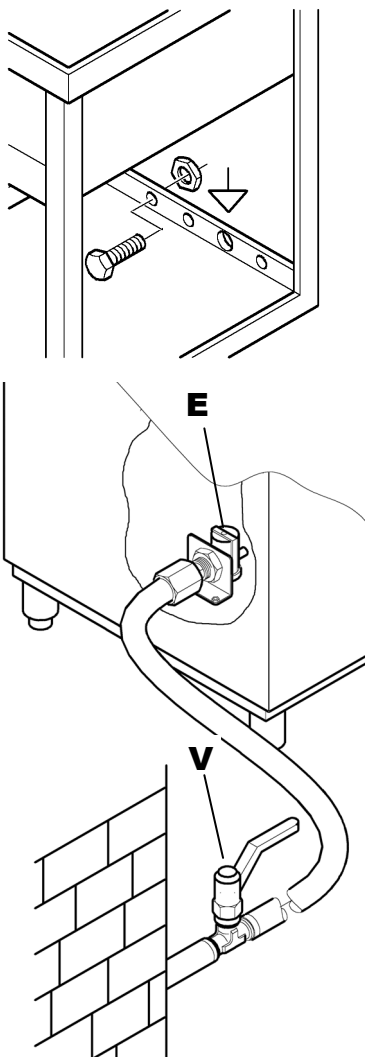
Bevor das Gerät angeschlossen wird, sicherstellen, dass zwischen Wasserversorgungsnetz und Gerät ein Absperrschieber montiert wurde, das es ermöglicht, im Notfall oder bei Reparaturen die Wasserzufuhr zu unterbrechen.

Mit dem mitgelieferten Schlauch das Elektroventil (E) mit dem Absperrschieber (V) verbinden; sich vergewissern, dass der Wasserzufluss nicht weniger als 20 Lt/Min. beträgt.

**Sich vergewissern, dass Wassertemperatur und Zufuhrdruck den auf dem Leistungsschild angeführten Daten entsprechen.**

Sollte die Wasserhärte höher als die auf der Richttabelle angegebene sein, empfehlen wir den Einbau eines Entkalkers oberhalb des Elektroventils der Wasserzufuhr der Maschine.

Im Falle sehr hoher Mineralrückstandskonzentration im Wasser schlagen wir den Einbau einer Entmineralisierungsanlage vor, um die auf der Tabelle vorgeschriebene Härte zu erreichen.

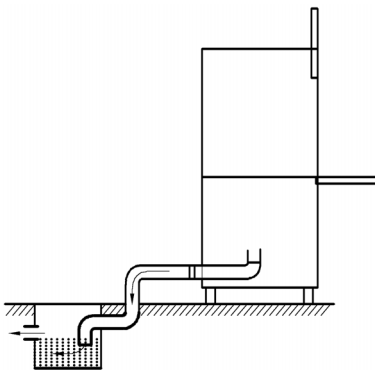




	<b>Eigenschaften</b>		<b>von</b>	<b>bis</b>
Härte	Französische Grade	f	5	10
	Deutsche Grade	°dH	4	7,5
	Englische Grade	°e	5	9,5
	Anteile pro Million	ppm	70	140
Mineralrückstände	Maximal	mg/l	300/400	



## 2.4 ANSCHLUSS AN DIE ABLAUFLEITUNG



Da die Wanne durch die Wirkung der Schwerkraft geleert wird, muss sich der Abfluss unterhalb der Maschine befinden.

Das Abflussendstück muss mittels Schlauch an ein Senkloch oder ein Saugheberbecken im Fußboden angeschlossen werden.

Die Ausmaße des Maschinenablaufs sind auf dem Installationsplan angeführt.

## 2.5 VERSCHIEDENE EINSTELLUNGEN

Das "Hauptmenü" für die Eingabe der technischen Werte öffnen.

Wie folgt verfahren (**Abb. 1**)

- Die Tür oder die Haube öffnen.
- Gleichzeitig und 5 Sekunden lang die Tasten 2 und 3 (Zykluswahl und Start) drücken.
- Daraufhin ist es, durch wiederholtes und aufeinander folgendes Drücken der 1 (on /off der Maschine) möglich, die Angaben in der nachstehenden Reihenfolge anzuwählen. Die entsprechenden Parameter können über die Tasten 2 und 3 geändert werden.
- Zum Verlassen und Speichern der neuen Einstellungen braucht man nur einige Sekunden lang die Taste zu drücken.

**LANGUAGE:** Die gewünschte Sprache wählen.

**THERMOSTOP:** Ausschalten der Funktion "termostop".

**ENERGY SAVING:** Einschalten der Funktion "Energy saving".

**PREHITING:** Einschalten der Schnellaufheizung der Maschine.

**DETERGENT PUMP:** Einschalten des Dauerbetriebs der Spülmittelpumpe. Während die Taste 3 gedrückt gehalten wird, kann die Spülmittelpumpe geladen werden. Es wird empfohlen, so lange Spülmittel einzufüllen, bis die Ansaugleitung vollständig gefüllt resultiert.

**RINSE AID PUMP:** Einschalten des Dauerbetriebs der Klarspülerpumpe. Während die Taste 3 gedrückt gehalten wird, kann die Klarspülerpumpe geladen werden. Es wird empfohlen, so lange Klarspüler einzufüllen, bis die Ansaugleitung vollständig gefüllt resultiert.

**DOSAGE TIME DURING WASHING:** Unter dieser Angabe kann die Einschaltdauer der Spülmittelpumpe bzw. die in das Becken abgegebene Spülmitteldosierung eingestellt werden. Durch Betätigen der Tasten 2 und 3 kann die Einschaltdauer verlängert oder gekürzt werden.

**RINSE PRODUCT:** Unter dieser Angabe kann die Einschaltdauer der Klarspülerpumpe bzw. die verwendete Menge eingestellt werden. Durch Betätigen der Tasten 2 und 3 kann die Einschaltdauer verlängert oder gekürzt werden.

**DRAIN PUMP:** An dieser Spülmaschine nicht installierbare Vorrichtung.

**WATER SOFTNER:** An dieser Spülmaschine nicht installierbare Vorrichtung.

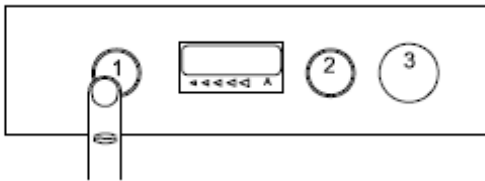
**EXTERNAL SOFTENER CYCLEIS:** Externer Aufbereiter. Sollte die Installation einen extern an der Spülmaschine angebrachten Aufbereiter vorsehen, ist die Eingabe einer Anzahl von Spülgängen vorgesehen, nach deren Überschreiten die Maschine anhand einer Meldung auf die Wartungserfordernis hinweist.

**CYCLE COUNTER:** Anzahl der insgesamt von der Spülmaschine realisierten Zyklen.

## 2.6 TEMPERATUREINGABE UND EINSTELLUNG DER DOSIERER

### - Temperatureinstellung:

Während man die Taste 1 einige Sekunden lang gedrückt hält, kommt es zu Anzeige der Angabe "A BOILER SET TEMPERATUR". Mit den Tasten 2 und 3 ist es dann möglichst die eingestellte Boilertemperatur anzuheben oder zu senken.



Drückt man die Taste 1 mehrmals, wird die Angabe "B TANK SET TEMPERATUR" bezüglich der Temperatureinstellung im Becken angezeigt. Bei den Modellen, die über einen Besteckspülgang verfügen, kann auch die Temperatur dieses Spülzyklus eingestellt werden. Dazu nochmals die Taste 1 drücken und damit C FLATWAIRE zur Anzeige bringen.

Auch die Spültemperatur kann über die Tasten 2 und 3 geändert werden.

Dieser Modus kann durch Drücken der Taste 1 verlassen werden.

Hinweis:

Es wird empfohlen die Spülmaschine durch wiederholtes Drücken der Linientaste 1 aus- und wieder einzuschalten.

### - Einstellung der Spülmitteldosierer.

**Achtung:** Es muss sich um ein industrielles, flüssiges Spülmittel mit geringer Schaumbildung handeln

Das "Hauptmenü" für die Eingabe der technischen Werte so wie im Kap 2.5 beschrieben öffnen. Durch Betätigen der Taste 1 die Angaben so lange durchlaufen, bis man zur Angabe "DOSAGE

TIME DURING WASHING" gelangt. Die hier angegebene Zeit entspricht der Einschaltdauer des Spülmitteldosierers in der Spülphase eines Programms. Durch entsprechendes Betätigen der Tasten 2 und 3 kann die Dauer geändert werden. Dieser Modus kann durch Drücken der Taste 1, bis zur Anzeige der Striche, verlassen werden. Die hier eingegebene Zeit summiert sich zur Betriebsdauer, die für das anfängliche Befüllen erforderlich ist.

Die Elektropumpe des Spülmittel hat eine Förderleistung von 3 Litern/Stunde.

Wir weisen an dieser Stelle darauf hin, dass die Spülmittelmenge in Abhängigkeit der Angaben am Kanisterschild zwischen 2 und 4 g/l bei Wasser mit einer Härte von 5 – 10 °F (francwsi Grad) variieren kann.

#### - Einstellung der Klarspülerdosierer.

Das "Hauptmenü" für die Eingabe der technischen Werte so wie im Kap 2.5 beschrieben öffnen, Durch Betätigen der Taste 1 die Angaben so lange durchlaufen, bis man zur Angabe RINSE AID PUMP gelangt. Die angegebene Zeit entspricht der Einschaltdauer des Klarspülerdosierers am Ende des Spülprogramms. Durch entsprechendes Betätigen der Tasten 2 und 3 kann die Dauer geändert werden. Dieser Modus kann durch Drücken der Taste 1, bis zur Anzeige der Striche, verlassen werden. Die hier eingegebene Zeit summiert sich zur Betriebsdauer, die für das anfängliche Befüllen erforderlich ist.

Die Elektropumpe des Spülmittels hat eine Förderleistung von 0,4 Litern/Stunde.

## KAP.3 SICHERHEITSHINWEISE



### 3.1 EVENTUELLE GEFAHREN UND WARNHINWEISE

- Die Maschinentür nicht öffnen, bevor der Waschgang beendet ist.
- Niemals die bloßen Hände in die Waschlauge tauchen.
- Niemals die Maschinenplatten abmontieren, bevor man nicht die Zufuhrleitungen unterbrochen hat.
- Das Fachpersonal, das die Installation und den elektrischen Anschluss vornimmt, hat die Pflicht, die Kundschaft entsprechend über das Funktionieren der Maschine und die einzuhaltenden Sicherheitsmaßnahmen zu informieren.
- Zusätzlich muss der Installateur dem Kunden eine praktische Demonstration des Gebrauchs der Maschine geben und schriftliche Anweisungen, die zusammen mit der Maschine geliefert werden, hinterlassen.
- **Diese Maschine darf ausschließlich für die vorgesehenen Zwecke benützt werden. Jeder andere Gebrauch ist als ungeeignet und daher gefährlich zu betrachten.**
- Die Maschine darf nicht von unausgebildetem Personal benützt werden.
- Niemals die Maschine ohne die vom Konstrukteur vorgesehenen Schutzvorrichtungen (Mikroschalter; Platten usw.) benützen.
- Niemals die Maschine zum Waschen von Gegenständen anderer Form, Art, Größe oder Material, die nicht vom Konstrukteur vorgesehen sind, benützen.
- Eine eventuelle Reparatur darf ausschließlich vom Hersteller oder einem autorisierten Kundendienst-Zentrum vorgenommen werden. Es sind ausnahmslos Original-Ersatzteile zu verwenden.
- Nichtbeachtung der obengenannten Vorschriften kann die Sicherheit der Maschine beeinträchtigen.
- Die Maschine darf nicht unter Spannung bleiben, wenn sie nicht benutzt wird.
- Keine magnetischen Gegenstände in die Maschinennähe bringen, da sie sich dadurch plötzlich einschalten könnte.

#### WICHTIG IST, ZU BERÜCKSICHTIGEN, DASS:

- **die Maschine eine perfekten elektrische Erdung aufweisen muss, die regelmäßig kontrolliert und überprüft werden muss.**

### 3.2 Normal Wartung Bedingungen

Umgebend Temperatur : 40°Cmax 4°Cmin ( Durchschnitt 30°C)

Höhe : bis zu 2000 m

Verwandte Feuchtigkeit : max 30% am max 90% am 20°C

Überführung und Lagerung : zwischen -10°C und 55°C mit Ruhe bis zu 70°C (max 24h)

### 3.3 GEFÄHRLICHE STELLEN

Definition der gefährlichen Stellen sowie Art und Weise der möglichen Gefahren (siehe Abb. auf der nächsten Seite); allgemeine Beschreibung der anzuwendenden Schutzmaßnahmen



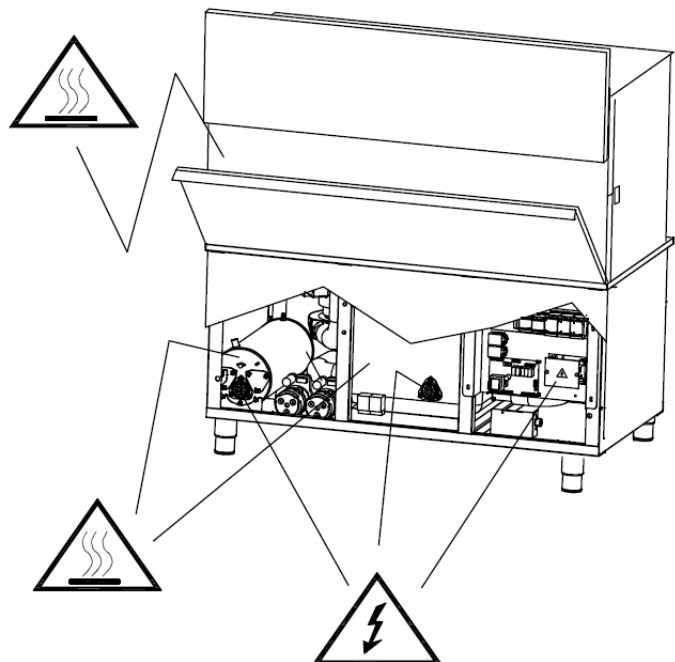
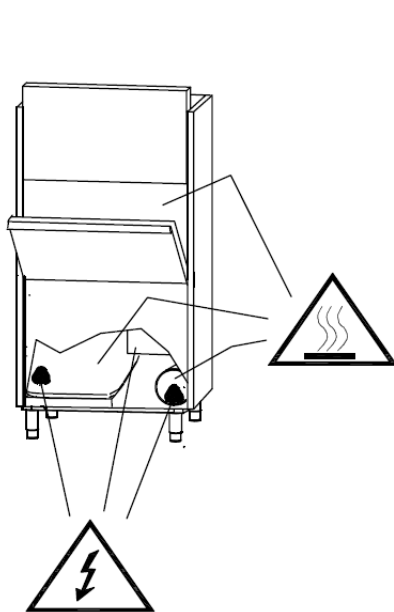
#### Gefährliche elektrische Spannung

- Hauptschalttafel
- Elektropumpen
- Ventilator

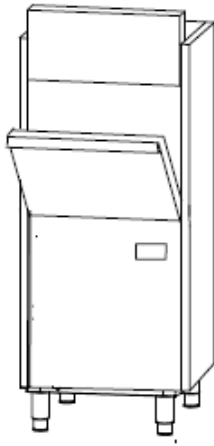


#### Gefahr thermischer Natur

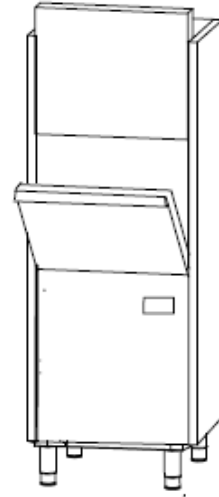
Warme teile



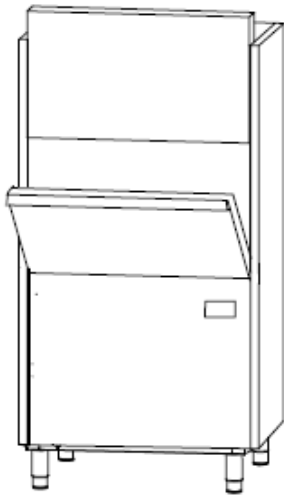
### 3.4 EBENE AKUSTISCHE DRÜKE



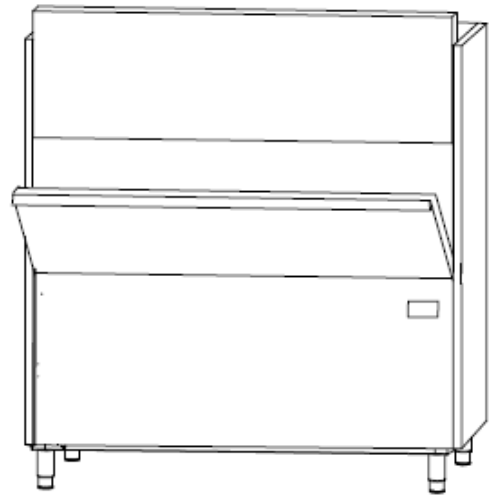
66 dB



66,8 dB



67,4 dB



74,3 dB

### 3.5 FEHLERMELDUNGEN

#### **Verhaltensweise bei folgenden Displayanzeigen:**

##### ***ER 01 Keine Nachspülung***

Wird am Display dieser Fehlertyp angezeigt, ist das ein Hinweis darauf, dass der Nachspülgang nicht korrekt erfolgt ist. Es wird daher empfohlen zu kontrollieren, dass die Nachspüldüsen vollkommen frei bzw. nicht verstopft sind, dann erneut ein Spülprogramm fahren. Sollte das Problem weiterhin vorliegen, sich an den technischen Vertragskundendienst wenden.

##### ***ER 02 Kein Ablass***

Wird am Display diese Meldung angezeigt, ist das ein Hinweis darauf, dass das Becken nicht korrekt abgelassen wurde.

Die Spülmaschine aus- und wieder einschalten, dann den Ablasszyklus wählen und:

- kontrollieren, dass während dem Ablasszyklus der Überlauf aus dem Ablass des Beckens (bei Versionen mit Überlauf) entnommen wurde, dann einen neuen Ablass- oder Selbstreinigungszyklus vornehmen. Sollte das Problem weiterhin vorliegen, sich an den technischen Vertragskundendienst wenden.

##### ***ER 03 Kein Aufheizung***

Bei Anzeige dieser Meldung erfolgt die Erwärmung des Wasserboilers nicht korrekt. Die Spülmaschine aus- und wieder einschalten, dann das eingestellte Programm wiederholen. Sollte das Problem daraufhin immer noch vorliegen, sich mit dem technischen Vertragskundendienst in Verbindung setzen.

##### ***Ungewöhnliche Geräusche beim Aufheizen.***

Es liegt ein vollkommen verkalkter oder mit Salzen aus hoch leitungsfähigem Wasser verkrusteter Heizstab vor. Hier wird der Austausch empfohlen. Kontrollieren Sie bitte auch die Funktionstüchtigkeit des Wasseraufbereiters der Spülmaschine.

##### ***ER 04 Keine Beckenbefüllung oder Defekt des Wasserfüllstandsensors im Becken.***

Wird diese Meldung angezeigt, ist das ein Hinweis darauf, dass ein Problem während der Befüllung aufgetreten ist.

Es wird empfohlen zu kontrollieren, ob:

- das Wassernetz auch Wasser abgibt;
- der Überlauf korrekt eingefügt (für die Modelle mit Überlauf);
- der Wasserdurchsatz für die betreffende Spülmaschine geeignet ist.

Es wird empfohlen die Spülmaschine aus- und wieder einzuschalten, ohne dabei das Becken zu entleeren. Sollte das Problem weiterhin vorliegen,

Verbindung mit einem technischen Vertragskundendienst aufnehmen.

##### ***ER 05 ; ER 06 Defekt des Temperaturkontrollensors des Beckens.***

Diese Meldung wird angezeigt, wenn die Sonde, über die die Spülwassertemperatur kontrolliert wird, defekt ist.

Er 05: offener Sensor

Er 06: Sensor im Kurzschluss.

Es wird empfohlen, sich an einen technischen Vertragskundendienst zu wenden.

##### ***ER 07 ; ER 08 Defekt des Temperaturkontrollensors des Boilers.***

Diese Meldung wird angezeigt, wenn die Sonde, über die die Wassertemperatur des Boilers kontrolliert wird, defekt ist.

Er 07: offener Sensor

Er 08: Sensor im Kurzschluss.

Es wird empfohlen, sich an einen technischen Vertragskundendienst zu wenden.

**ER 09 Keine Boilerbefüllung oder Defekt des Wasserfüllstandsensors im Boiler.**

Diese Meldung wird angezeigt, wenn der Boiler nicht korrekt gefüllt wurde. Um zu vermeiden, dass das Geschirr nicht ordnungsgemäß nachgespült wird, stoppt die Spülmaschine.

- Überprüfen Sie, ob der Durchsatz und der hydraulische Druck die korrekten Werte aufweisen. Es wird empfohlen, sich an einen technischen Vertragskundendienst zu wenden.

**HIR b Zu hohe Nachspültemperatur.**

Diese Meldung wird angezeigt, sobald der Temperatursensor des Boilers eine zu hohe Temperatur erfasst.

In diesem Fall muss die eingestellte Boilertemperatur gemindert werden.

- An dieser Stelle möchten wir darauf hinweisen, dass das Auslösen der Sicherheitsvorrichtungen und die Anzeigen hoher Temperaturen auch auf den Umstand zurückgeführt werden können, dass die Spülmaschine in einer Höhe von 2000 m ü.M. installiert wurde. In einem solchen Fall wird empfohlen, jede Temperatureinstellung auf geringere Werte zu bringen, da der Siedepunkt hier niedriger liegt.

**HIW T Zu hohe Spülwassertemperatur.**

Diese Meldung wird angezeigt, sobald der Temperatursensor des Beckens eine zu hohe Temperatur erfasst.

In diesem Fall muss die eingestellte Beckentemperatur gemindert werden.

**SAFE Sicherheitsthermostate ausgelöst**

Es wird empfohlen, sich an einen technischen Vertragskundendienst zu wenden

**KAP.4 BETRIEB DER MASCHINE****4.1 ZEICHEN**

Mit Bezug auf **Abb.1** gibt es:

<b>1</b>	TASTE <b>ON/OFF</b>	<b>4</b>	DISPLAY INFORMATIONEN
<b>2</b>	TASTE <b>PROGRAMMWAHL</b>	<b>5</b>	ZEITLEISTE
<b>3</b>	TASTE <b>START</b>		

**4.2 WAHL DER STEUERUNGEN**

1 ) Die Maschine wird durch Drücken der Taste **1 (Abb. 1)** eingeschaltet.

Die Taste **3** beginnt zu blinken und die Maschine startet das Füllverfahren. Denken Sie sich immer daran, dass der Überlauf und die Filter korrekt ins Becken eingefügt sein müssen. Schließlich die Tür schließen.

Nach der Befüllung beginnt die Spülmaschine automatisch sich aufzuheizen und saugt gleichzeitig die eingestellte Spülmittelmenge an.

2) Die Maschine ist betriebsbereit sobald die Leuchttaste **3** grün aufleuchtet. (**Abb. 2**).

3) In Abhängigkeit der jeweiligen Anforderungen nun die Dauer des Spülprogramms durch Betätigen der Taste **2 (Abb. 2)** wählen.

Hier können Spülprogramme mit einer Dauer von circa 2 bis 12 Minuten sowie ein Selbstreinigungsprogramm CLS gewählt werden.

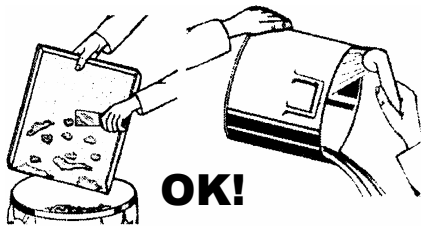
Das gewählte Programm wird für die folgenden Einsätze im Speicher gehalten.

4) Die Tür öffnen und die zu spülenden Gegenstände so wie im folgenden Kapitel 4.3 "Anordnung des Geschirrs" einfügen. Daraufhin die Tür schließen und das gewählte Programm durch Betätigen der Taste **3** starten. Während des Spülgangs leuchtet sich Taste hellblau auf.

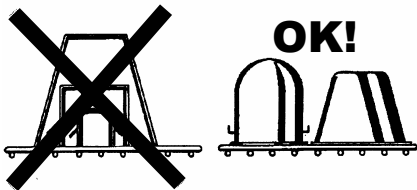
5) Nach Beendigung des Spülgangs gibt die Maschine drei Piepstöne ab und die Angabe **Ende** (**Abb. 5**) wird angezeigt. Nun die Tür öffnen, den Korb herausziehen und noch ein paar Sekunden abwarten, bis alle Gegenstände ordnungsgemäß getrocknet resultieren

### 4.3 BETRIEB

Um den Wartungsaufwand soweit als möglich einzuschränken, **EMPFEHLEN WIR EINE VORREINIGUNG** des Geschirrs. Die Entfernung von Essensresten, Zitronenschalen, Zahnstochern, Olivenkernen usw., die den Filter der Elektropumpe teilweise verstopfen und somit die Reinigungswirkung beeinträchtigen könnten, verbessert auch die Qualität des Endergebnisses.



**Es wird empfohlen, das Geschirr zu spülen, bevor die Essensreste darauf antrocknen. Sollte der Schmutz bereits verhärtet sein, wird empfohlen, Geschirr und Besteck einzuweichen, bevor es in die Maschine eingefüllt wird.**



- Gemäß der Anleitung des Herstellers die notwendige Menge Spülmittel in die Wanne einfüllen

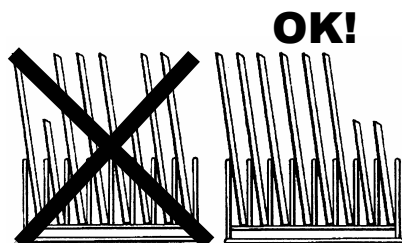
- Es muss ein industrielles Spülmittel mit Schaumhemmer verwendet werden.

- Nicht die bloßen Hände in die Waschlauge eintauchen, die Tassen und Gläser umgedreht in die Körbe stellen. Die Teller in den entsprechenden Korb mit Halterelementen einordnen (Innenfläche nach oben).

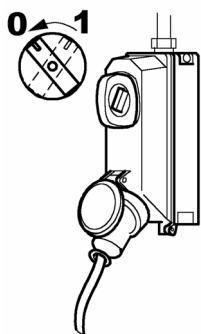
- Besteck und Kaffeelöffel mit dem Griff nach unten einfüllen.

- Keine Bestecke aus Silber und aus rostfreiem Stahl in denselben Besteckkorb geben. Das Silber würde anlaufen und der rostfreie Stahl wahrscheinlich korrodieren .

- Für die verschiedenen Gegenstände (Teller , Gläser , Tassen, Besteck usw.) die jeweils dafür vorgesehenen Körbe verwenden. Um Spülmittel und Strom einzusparen, nur volle, aber nicht überladene Körbe spülen. Das Übereinanderstapeln von Geschirr ist zu vermeiden.

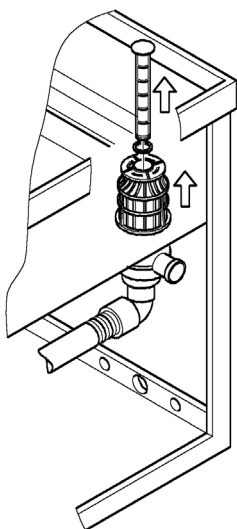
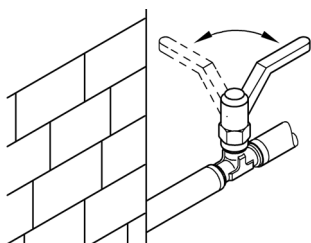






#### 4.4 TÄTIGKEITEN BEI ENDE DES SPÜLGANGES

- Einen Selbstreinigungszyklus fahren. Durch Betätigen der Taste **2** (Abb. 6) das Programm “CLS” wählen, dann die Filter entnehmen, den Überlauf herausnehmen, die Tür schließen, dann die Taste **3** drücken.
- Nach erfolgtem Ablass fährt die Spülmaschine zwei Nachspülgänge und schaltet sich danach automatisch ab.
- Die Stromzufuhr zur Maschine unterbrechen.
- Die Tür öffnen und den Korb mit dem sauberen Geschirr herausnehmen.
- Durch Heben des Überlaufs das Wasser aus der Wanne ablassen. Bei Maschinen mit Ablaufpumpe die Anweisungen in Abschnitt
- Den Hauptschalter der Anlage abschalten.
- Den Absperrschieber der Wasserzulaufleitung schließen.
- Die Filter entfernen; sie unter einem Wasserstrahl mit einer Nylonbürste reinigen.
- Beachten sie, dass keine Schmutzreste vom Boden des Filters der Abfluspumpe in die Wanne fallen. Die Wanne mit einem mäßig starken Wasserstrahl reinigen. Die äußeren Oberflächen, wenn sie kalt sind, mit einem nicht-scheuernden, speziell für Stahl geeigneten Mittel reinigen.



**Bemerkung:** Das Gerät nie mit direktem Wasserstrahl oder mit Wasser unter starkem Druck reinigen, da bei eventuellem Eindringen von Wasser in die elektrischen Teile der Maschine das regelmäßige Funktionieren des Geräts und der einzelnen Sicherheitssysteme nicht mehr gesichert ist und außerdem in einem solchen Fall die Garantie ihre Gültigkeit verliert.

#### 4.5 EINSCHALTEN DER HALBEN LADUNG - NUR BEI DER TT924

Es kann auch die Funktion “halbe Ladung” aktiviert werden, die sich nützlich erweist, wenn nur wengige Gegenstände gespült werden müssen. In dieser Weise können sowohl Energie und Wasser als auch Spülmittel gespart werden.

- 1) Das zu spülende Geschirr in den rechten Bereich der Spülmaschine, so wie auf der **(Abb. 7)** angegebenen, einräumen.
- 2) Bei offener Tür die Start-Taste **3** so lange drücken, bis die Kontrollleuchte **M (Abb. 8)** aufleuchtet.
- 3) Die Tür schließen und das Programm, den Beschreibungen im vorausgehenden Kapitel gemäß, starten.
- 4) Während des Spülgangs wird am Display ein Symbol angezeigt, dass darauf hinweist, dass sich nur die "halbe" Maschine in Betrieb befindet.

## 4.6 TEMPERATURANZEIGE

Am Display 9 **(Abb. 1)** wird ständig die Temperatur des Nachspülgangs angezeigt. Indem man die Taste **4** einige Sekunden lang gedrückt hält **(Abb. 4)** kann man die Spültemperatur und danach die Anzahl der insgesamt, über die gesamte Lebensdauer der Spülmaschine durchgeführten Spülgänge abrufen.

## KAP. 5 WARTUNG

### 5.1 ALLGEMEINE VORSCHRIFTEN

Die Maschinen sind wartungsarm ausgelegt. Die folgenden Normen müssen immer beachtet werden, um eine lange Dauer und ein Funktionieren ohne Schwierigkeiten zu garantieren.

Auf jeden Fall müssen einige allgemeine Regeln beachtet werden, um das Funktionieren der Maschine perfekt zu halten:

- Die Maschine sauber und in Ordnung halten
- Vermeiden, dass vorläufige oder Notreparaturen zur Regel werden.

Die strenge Beachtung der Normen der periodischen Wartung ist äußerst wichtig. Alle Maschinenteile müssen regelmäßig kontrolliert werden, um zu vermeiden, dass es zu eventuellen Unregelmäßigkeiten kommt und um die für den eventuellen Wartungsfall notwendigen Zeiten und Mittel vorherzusehen.

**Bevor Sie das Gerät reinigen, schalten Sie die Stromversorgung ab.**

### 5.2 REGELMÄSSIGE WARTUNG ( mindestens alle 20 Tage)

Um die im folgenden beschriebenen Wartungsarbeiten einfacher zu machen, kann man den Korbrahmen aus seinem Sitz herausziehen.

- Die oberen und unteren Nachspülarme ausbauen; dazu wird die Befestigungsklinke abgeschraubt.
- Sämtliche Düsen ausbauen, reinigen und wieder an ihren Platz einsetzen.
- Die oberen und unteren Wascharme durch Abschrauben des Nachspülzapfens ausbauen, reinigen und nachspülen.
- Den Filter der Waschpumpe herausnehmen. Den Filter reinigen und abspülen.
- Mit großer Sorgfalt die Wanne reinigen.
- Während die Maschine stillsteht, den Deckel offen stehen lassen.
- Durch die im Wasser enthaltenen Kalk- und Magnesiumsalze bilden sich nach einer bestimmten Betriebszeit, je nach Wasserhärte, im Inneren des Boilers und in den Rohrleitungen Kalkablagerungen, die das einwandfreie Funktionieren der Maschine infrage stellen können.
- Diese Ablagerungen müssen deshalb regelmäßig entfernt werden. Es wird empfohlen, hierzu Fachpersonal heranzuziehen.
- Sollte die Maschine lange Zeit unbenutzt stehen, die Stahlflächen mit Vaselineöl einölen.
- Bei Gefahr von Eisbildung muss Fachpersonal das Wasser aus dem Boiler und der Waschpumpe ablassen.
- **Bei Schäden oder Funktionsstörungen wenden Sie sich nur an ein vom Hersteller der Geräte oder vom Händler autorisiertes Kundendienstzentrum.**



## KAP. 6 ABBAU

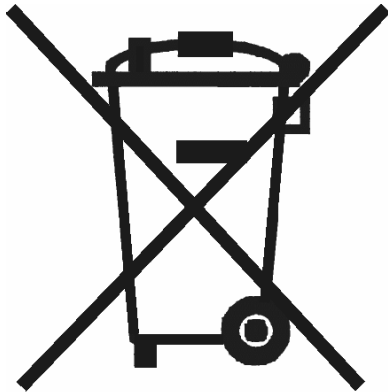
### 6.1 ABBAU DER MASCHINE

In unseren Maschinen gibt es keine Materialien, die besondere Entsorgungsverfahren erfordern.

---

## 6.2 KORRELTE ENTSORGUNG PRODUKTS

(Elektromüll)



(Anzuwenden in den Ländern der Europäischen Union und anderen europäischen Ländern mit einem separaten Sammelsystem)

Die Kennzeichnung auf dem Produkt bzw., auf der dazugehörigen Literatur gibt an, dass es nach seiner Lebensdauer nicht zusammen mit dem normalen Haushaltsmüll entsorgt werden darf. Entsorgen Sie dieses Gerät bitte getrennt von anderen Abfällen, um der Umwelt bzw. der menschlichen Gesundheit nicht durch unkontrollierte Müllbeseitigung zu stofflichen Ressourcen zu fördern.

Private Nutzer sollten den Händler, bei dem das Produkt gekauft wurde, oder die zuständigen Behörden kontaktieren, um in Erfahrung zu bringen, wie sie das Gerät auf umweltfreundliche Weise recyceln können.

Gewerbliche Nutzer sollten sich an ihren Lieferanten wenden und die Bedingungen des Verkaufsvertrags konsultieren. Dieses Produkt darf nicht zusammen mit anderem Geschäftsmüll entsorgt werden.

## SOMMAIRE

<b>CHAP.1 PRÉFACE</b> .....	<b>2</b>
<b>CHAP.2 INSTALLATION</b> .....	<b>2</b>
2.1 DEPLACEMENT ET DEBALLAGE.....	2
2.2 BRANCHEMENT ELECTRIQUE.....	3
2.3 RACCORDEMENT HYDRAULIQUE.....	3
2.4 CONNEXION AU RESEAU DE VIDANGE .....	4
2.5 REGLAGES DIVERS.....	4
2.6 PARAMETRAGE DES TEMPERATURES ET DISPOSITIFS DE DOSAGE .....	6
<b>CHAP.3 PRESCRIPTIONS DE SECURITE:</b> .....	<b>7</b>
3.1 RISQUES RESIDUELS ET AVERTISSEMENTS.....	7
3.2 CONDITIONS NORMALITE SERVICE.....	7
3.3 ZONES DANGEREUSES .....	8
3.4 PRESSIONS ACOUSTIQUES EGALES.....	9
3.5 MESSAGES D'ERREUR .....	9
<b>CHAP.4 UTILISATION DE LA MACHINE</b> .....	<b>11</b>
4.1 LEGENDE.....	11
4.2 SÉLECTION COMMANDES .....	11
4.3 UTILISATION DE LA MACHINE.....	12
4.4 OPÉRATIONS DE FIN SERVICE.....	12
4.5 ACTIVATION DE LA CHARGE REDUITE UNIQUEMENT POUR TT924 .....	12
4.6 AFFICHAGE DES TEMPERATURES.....	14
<b>CHAP. 5 ENTRETIEN</b> .....	<b>14</b>
5.1 REGLES GENERALES.....	14
5.2 ENTRETIEN PERIODIQUE (à effectuer tous les 20 jours au minimum) .....	14
<b>CHAP. 6 DEMANTELEMENT</b> .....	<b>15</b>
6.1 MISE AU REBUT DE LA MACHINE .....	15
6.2 COMMENT ELIMINER CE PRODUIT .....	16

---



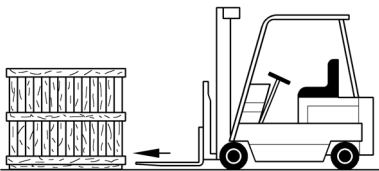
## CHAP.1 PRÉFACE

Les avertissements contenus dans ce manuel fournissent d'importantes indications concernant la sûreté dans les différentes phases de l'installation, de l'emploi et de l'entretien.

**L'opérateur a le devoir de lire attentivement ce manuel** avant de commencer toute opération concernant le déplacement, l'installation, l'usage, l'entretien ou la mise au rebut de la machine. Il faut donc garder soigneusement ce livret, en le plaçant dans un endroit sûr, et en faire plusieurs copies pour la consultation fréquente.

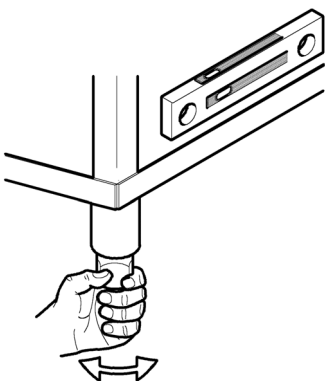
## CHAP.2 INSTALLATION

### 2.1 DÉPLACEMENT ET DÉBALLAGE



- Le déplacement doit être exécuté avec soin au moyen d'un élévateur.
- Vérifier l'intégrité de l'appareil; en cas de dommages visibles, renseigner immédiatement le vendeur et le transporteur qui a effectué le transport. En cas de doute, ne pas utiliser la machine jusqu'à ce qu'elle ait été contrôlée par le personnel spécialisé.
- Transporter la machine sur le lieu prévu pour la mise en place et la déballer.

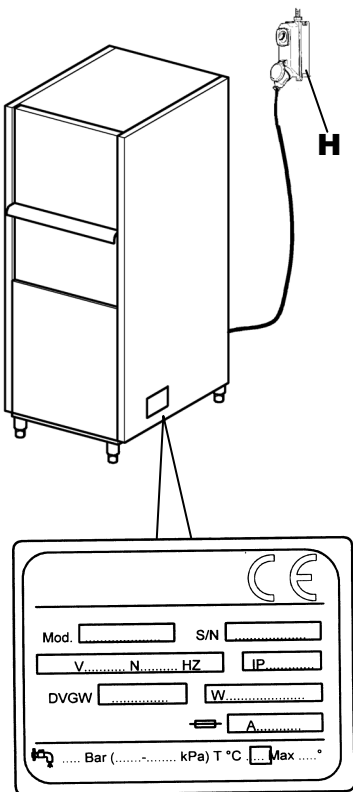
**Les éléments d'emballage (sachets en plastique, polystyrène expansé, clous etc.) ne doivent pas être laissés à la portée des enfants car ils constituent un danger potentiel.**



- La mise en place doit être exécutée selon les consignes du constructeur et par un personnel qualifié.
- Cette machine n'est destinée qu'au raccordement fixe.
- Positionner la machine en ayant soin de la mettre parfaitement de niveau en réglant ses vérins.
- Le dallage devra tenir compte du poids global de la machine.
- Suivant les indications du schéma d'installation de la machine, prévoir dans le local de lavage, les installations d'alimentation électrique, d'approvisionnement d'eau et d'évacuation.



## 2.2 BRANCHEMENT ÉLECTRIQUE



1. La connexion au réseau devra être exécutée au moyen d'un interrupteur général. (H) De type omnipolaire, il interrompt tous les contacts y compris le neutre, avec une distance entre les contacts ouverts d'au moins 3 mm, avec déclenchement magnéto-thermique de sécurité ou accouplé à des fusibles et capable d'être compatible avec les indications de la fiche technique, et de la plaque de l'appareil.
2. S'assurer que la tension et la fréquence du réseau électrique correspondent à celles qui sont indiquées sur l'étiquette des caractéristiques techniques placée sur le côté droit de la machine.
3. Une mise à la terre efficace, imposée par les normes de prévention en vigueur, est un gage de sécurité pour l'opérateur et pour l'appareil.
4. Il est absolument défendu d'utiliser des adaptateurs, des prises multiples et des rallonges.
5. L'appareil doit en outre être inclus dans un système équipotentiel dont la connexion est exécutée au moyen d'une vis indiquée par le symbole. Le conducteur équipotentiel devra avoir une section de 10 mm<sup>2</sup>.



Le câble d'alimentation pourra être remplacé seulement par un câble ayant la même section, du type H07RN-F.

Pour d'autres informations, vous pouvez consulter le schéma électrique ci-joint.

## 2.3 RACCORDEMENT HYDRAULIQUE

Préparer le local selon le schéma hydraulique ci-joint.

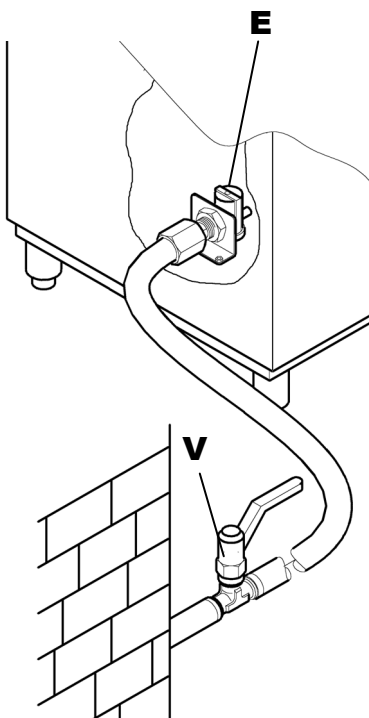
Avant de raccorder la machine, s'assurer qu'une soupape à vanne a été intercalée entre le réseau de distribution d'eau et la machine, afin de pouvoir couper l'alimentation au besoin ou en cas de réparation.

Au moyen d'un tuyau flexible, relier l'électrovanne (E) de remplissage à la vanne d'arrivée d'eau (V) et s'assurer que la portée de l'alimentation ne soit pas inférieure à 20 l/min.

**S'assurer que la température et la pression de l'eau d'alimentation correspondent aux valeurs indiquées dans la documentation technique.**

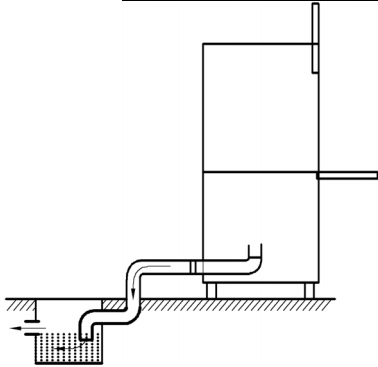
Si la dureté de l'eau est supérieure aux valeurs indiquées dans le tableau suivant, nous conseillons d'installer un adoucisseur en amont de l'électrovanne d'alimentation de la machine.

En cas de très forte concentration de minéraux résiduels dans l'eau ou de conductibilité élevée, nous recommandons d'installer un équipement de déminéralisation étalonée pour avoir une dureté résiduelle comme indiqué dans le tableau suivant.





	<b>Caractéristiques</b>		<b>Da</b>	<b>A</b>
Dureté	Dégrés français	f	5	10
	Dégrés allemands	°dH	4	7'5
	Dégrés anglais	°e	5	9,5
	Parties pour million	ppm	70	140
Minéraux résidus	Maximum	mg/l	300/400	



l'évacuation doit être située à un niveau inférieur à la base de la machine.

Le raccord de vidange doit être relié à un puisard ou à un drain siphonné creusé dans le sol au moyen d'un tuyau flexible.

Les dimensions du vidange de la machine sont indiquées dans le schéma d'installation.

## 2.5 RÉGLAGES DIVERS

Rappeler le " menu principal " paramétrage technique.

Suivre la marche décrite (**fig. 1**)

- Ouvrir la porte ou le capot
- Appuyer sur les boutons 2 et 3 tout à la fois (sélection cycle et marche) pendant 5 secondes
- Après quoi, l'appui à plusieurs reprises sur le bouton 1 (marche/arrêt de la machine) permet de choisir les rubriques dans l'ordre indiqué ci-dessous ; il est possible d'activer ou de changer les paramètres avec les boutons 2 et 3.
- Pour sortir et enregistrer les nouveaux réglages, il suffit de maintenir l'appui sur le bouton 1 pendant quelques secondes.

**LANGUAGE** : Sélectionner la langue désirée.

**THERMOSTOP** : Désactivation de la fonction thermostop

**ENERGY SAVING** : Activation de la fonction économie d'énergie.

**PREHEATING** : Activation chauffage rapide machine.

**DETERGENT PUMP** : Activation en continu de la pompe du détergent. Le maintien de l'appui sur le bouton 3 permet de charger du détergent avec la pompe. Il est conseillé de charger du détergent tant que le tuyau d'aspiration n'est pas totalement chargé.

**RINSE AID PUMP** : Activation en continu de la pompe du liquide de rinçage. Le maintien de l'appui sur le bouton 3 permet de charger du liquide de rinçage avec la pompe. Il est conseillé de charger du liquide de rinçage tant que le tuyau d'aspiration n'est pas totalement chargé.

**DOSAGE TIME DURING WASHING** : (Temps du dosage pendant le lavage) avec cette fonction il est possible de régler la durée d'activation de la pompe du détergent c'est à dire la concentration du détergent dans la cuve. Les boutons 2 et 3 permettent d'augmenter ou diminuer le temps d'activation.

**RINSE PRODUCT** : Cette fonction permet de régler le temps d'activation de la pompe du liquide de rinçage c'est à dire la quantité utilisée . Les boutons 2 et 3 permettent d'augmenter ou diminuer le temps d'activation.

**DRAIN PUMP** : (pompe de vidange) appareillage qui ne peut pas être installé sur cette machine.

**WATER SOFTNER** : (adoucisseur d'eau) appareillage qui ne peut pas être installé sur cette machine.

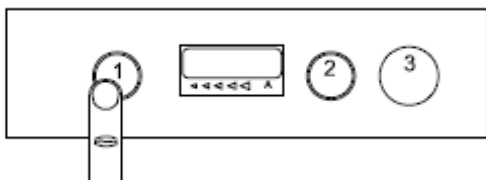
**EXTERNAL SOFTENER CYCLES** : Système d'épuration extérieur. Si l'installation prévoit un système d'épuration à l'extérieur de la machine, le programme doit établir un nombre limite de lavage à effectuer au delà duquel la machine affiche l'avertissement de réaliser l'entretien.

**CYCLE COUNTER** : (compteur de cycles) nombre de cycles totalisés par la machine.

## 2.6 PARAMETRAGE DES TEMPERATURES ET DISPOSITIFS DE DOSAGE

### - Paramètres des températures :

Garder l'appui sur le bouton 1 pendant quelques secondes pour afficher le message " A BOILER SET TEMPERATUR " (valeur de consigne température) : les boutons 2 et 3 permettent d'augmenter ou diminuer la valeur de consigne de température de la chaudière.



Appuyer à plusieurs reprises sur le bouton 1 pour afficher le message " B TANK SET TEMPERATUR " valeur de consigne température cuve ; pour les modèles dotés de cycle de lavage des couverts il est possible de régler la température de ce cycle en appuyant encore un fois sur le bouton 1 pour afficher C FLATWAIRE.

Encore à l'aide des boutons 2 et 3 il est possible de varier la température du lavage.

Pour sortir de cette condition, garder l'appui sur le bouton 1.

Note :

il est conseillé de désactiver et réactiver la machine en appuyant à plusieurs reprises sur le bouton de ligne 1.

### - Paramètres des dispositifs de dosage du détergent.

**Attention : le détergent doit être de type industriel, liquide et sans génération de mousse.**

Accéder au " menu principal " paramétrage technique ainsi qu'il est décrit au chap 2.5 et défiler les options avec le bouton 1 jusqu'à la rubrique "DOSAGE TIME DURING WASHING " (durée du dosage pendant lavage) le temps qui s'affiche correspond à la durée d'activation du dosage du détergent pendant la phase de lavage d'un programme. Cette durée peut être variée à l'aide des boutons 2 et 3 ; pour sortir de cette situation, il suffit de garder l'appui sur le bouton 1 jusqu'à afficher les tirets. Le temps préfixé est additionné au temps de fonctionnement pour le remplissage initial.

Le débit de la motopompe du détergent est de 3 Litres/heure.

Rappelons que la quantité de détergent peut varier selon l'indication de la plaque signalétique du jerrican de 2 à 4 g/l pour des eaux dont la dureté est de 5 à 10 °F (degrés français).

- **Paramètres des dispositifs de dosage du liquide de rinçage.**

Accéder au " menu principal " paramétrage technique ainsi qu'il est décrit au chap. 2.5. Défiler les options à l'aide du bouton 1 jusqu'à la rubrique RINSE AID PUMP (pompe du liquide de rinçage). Le temps affiché correspond à la durée d'activation du dosage du liquide de rinçage en fin du programme de lavage. Cette durée peut être variée à l'aide des boutons 2 et 3 ; pour sortir de cette situation, il suffit de garder l'appui sur le bouton 1 jusqu'à afficher les tirets. Le temps préfixé est additionné au temps de fonctionnement pour le remplissage initial.

Le débit de la motopompe du détergent est de 0.4 litres/heure. \_

## CHAP.3 PRESCRIPTIONS DE SECURITE:



### 3.1 RISQUES RESIDUELS ET AVERTISSEMENTS

- Ne jamais ouvrir vite la porte de la machine lorsqu'elle n'a pas terminé son cycle de nettoyage
- Ne jamais plonger les mains nues dans la solution de lavage.
- Ne jamais enlever les panneaux de la machine si l'alimentation électrique en amont n'a pas été déconnectée auparavant.
- Le personnel spécialisé qui effectue l'installation et le branchement électrique est tenu d'informer correctement les utilisateurs sur le fonctionnement de l'appareil et sur les mesures de sécurité à suivre.
- L'installateur devra par ailleurs faire des démonstrations pratiques sur le mode d'utilisation et s'assurer que les instructions jointes à l'appareil soient disponibles.
- **Cette machine devra servir uniquement au but pour lequel elle a été conçue. Toute autre utilisation doit être considérée impropre et donc dangereuse.**
- La machine ne doit être utilisée que par le personnel qualifié.
- Ne jamais utiliser la machine sans les protections (microcontacts, panneaux ou autre) installées par le constructeur.
- Ne jamais utiliser la machine pour laver des objets de type, forme, mesure ou matériaux non compatibles avec ceux indiqués par le constructeur.
- L'éventuelle réparation de la machine ne devra être effectuée que par le constructeur ou par un centre de service après-vente agréé, en utilisant exclusivement des pièces de rechange d'origine.
- Le manque d'observation des règles mentionnées ci-dessus peut compromettre la sécurité de la machine.
- La machine ne doit pas rester sous tension lorsqu'elle n'est pas utilisée.
- Ne pas approcher d'objets magnétiques de la machine, sa mise en route intempestive pourrait se produire.

#### IL IMPORTE DE SAVOIR QUE :

- **La machine doit être parfaitement mise à la terre et ce raccordement électrique systématiquement contrôlé et vérifié.**

### 3.2 CONDITIONS NORMALITÉ SERVICE

**Ambiant Température : 40°Cmax 4°Cmin ( moyenne 30°C)**

**Altitude jusqu'à ce que 2000 métrique**

**Respective humidité : max 30% à max 90% à 20°C**

**Transporter et Stockage : entre -10°C et 55°C à tranquillité jusqu'à ce que 70°C(max 24h)**

### 3.3 ZONES DANGEREUSES

Définition des zones dangereuses et modalités (voir fin page successive) de manifestation du danger, et description générale des mesures de protection adoptées



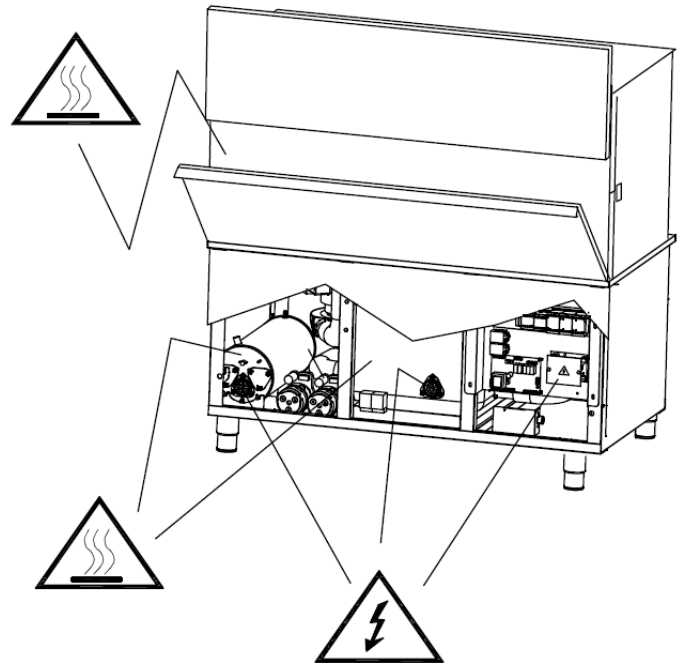
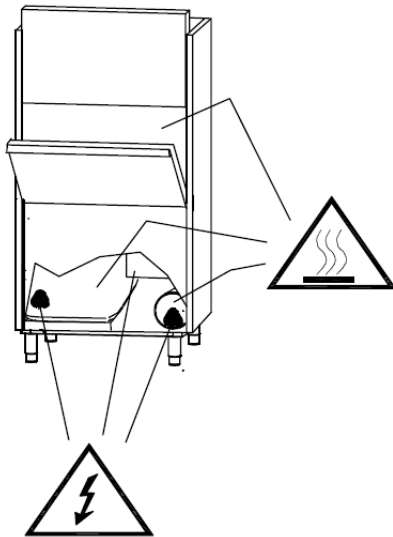
#### Tension électrique dangereuse

- Tableau électrique général
- Electropompes
- Ventilateur

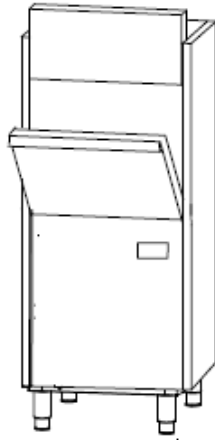


#### Danger de nature thermique

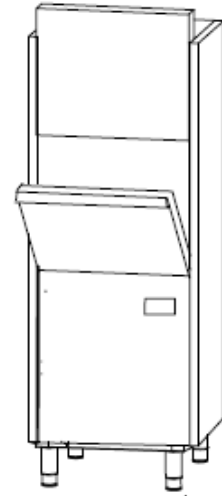
Parties chaudes



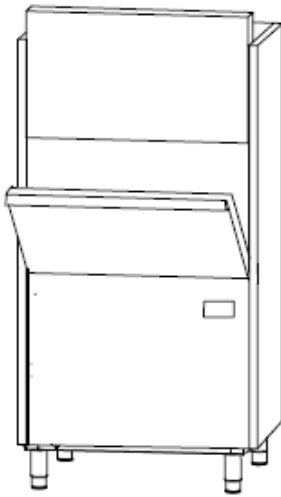
## 3.4 PRESSIONS ACOUSTIQUES EGALES



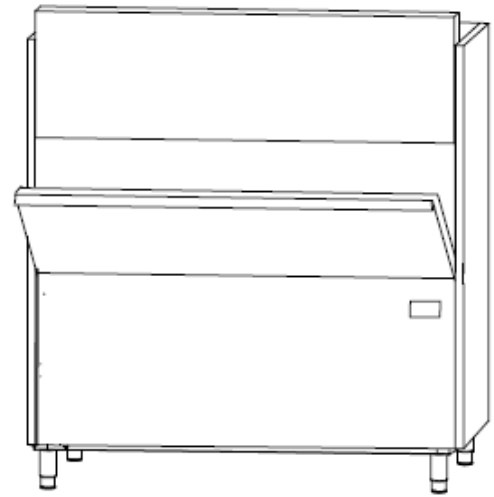
66 dB



66,8 dB



67,4 dB



74,3 dB

### 3.3 MESSAGES D'ERREUR

#### **Que faire si les messages ci-dessous s'affichent :**

##### ***ER 01 Echec rinçage***

L'affichage de ce type de défaut signale que le rinçage n'a pas été correctement réalisé. Dans ce cas, il est conseillé de contrôler les passages parfaitement libres des buses de rinçage et de redémarrer le programme de lavage ; si le problème persiste, contacter un centre après-vente autorisé.

##### ***ER 02 Echec vidange***

L'affichage de ce message signale que la cuve n'a pas été correctement vidangée.

Désactiver et réactiver la machine, sélectionner le cycle de vidange et :

- Contrôler que durant le cycle de vidange le trop-plein a été retiré du tuyau de vidange de la cuve (pour les versions avec trop-plein). Après quoi effectuer une nouvelle vidange ou cycle d'autonettoyage ; si le problème persiste contacter un centre après-vente autorisé

##### ***ER 03 Echec chauffage***

L'affichage de ce message signale que le chauffage de la chaudière ne se produit pas correctement.

Désactiver et réactiver la machine, répéter le programme préfixé, si le problème persiste, contacter un centre après-vente autorisé.

##### ***Bruits insolites durant le chauffage.***

Résistance totalement incrustée de calcaire ou sels contenus dans des eaux à haute conductivité : son remplacement est conseillé. Il est bien de contrôler le fonctionnement de l'épurateur à eau de la machine.

##### ***ER 04 Echec remplissage cuve ou casse capteur de niveau eau en cuve.***

La présence de ce message signale qu'il y a un problème durant le remplissage.

Il est conseillé de contrôler que :

- Il y a de l'eau dans le réseau.
- Le trop-plein est correctement en place (pour les modèles munis de trop-plein).
- Le débit et la pression de l'eau se conviennent à la machine dont il est question.

Il est conseillé de désactiver et réactiver la machine sans vidanger la cuve ; si le problème persiste contacter un centre après-vente autorisé.

##### ***ER 05 ; ER 06 Casse de la sonde de contrôle température cuve.***

Ce message s'affiche lorsque la sonde, contrôlant la température de l'eau de lavage, est cassée.

Er 05 : sonde ouverte

Er 06 : sonde court-circuitée.

Il est conseillé de contacter un centre après-vente autorisé

##### ***ER 07 ; ER 08 Casse de la sonde de contrôle température chaudière.***

Ce message s'affiche lorsque la sonde, contrôlant la température de l'eau dans la chaudière, est cassée.

Er 07 : sonde ouverte

Er 08 : sonde court-circuitée.

Il est conseillé de contacter un centre après-vente autorisé

##### ***ER 09 Echec remplissage chaudière ou casse capteur niveau chaudière.***

Ce message s'affiche quand la chaudière n'est pas correctement remplie. Pour empêcher que la vaisselle résulte mal rincée, la machine s'arrête.

-Vérifier que le débit et la pression hydraulique sont correctes.

Il est conseillé de contacter un centre après-vente autorisé

**HIR b Température de rinçage trop élevée.**

Ce type de message s'affiche quand la sonde de température de la chaudière détecte une température trop élevée.

Il est nécessaire d'abaisser la température de consigne de la chaudière

- Nous vous rappelons que le déclenchement des sécurités et les signalisations de température élevée peuvent se produire également du fait que la machine est installée à une altitude supérieure à 2000 m.

Note : si cela est le cas, il est bien d'abaisser toute valeur de consigne pour le chauffage, le point d'ébullition de l'eau étant plus bas à une telle hauteur.

**HIW T Température de lavage trop élevée.**

Ce type de message s'affiche quand la sonde de température de la cuve détecte une température trop élevée.

Il est nécessaire d'abaisser la température de consigne de la cuve

**SAFE Déclenchement des thermostats de sécurité**

Il est conseillé de contacter un centre après-vente autorisé

**CHAP.4 UTILISATION DE LA MACHINE****4.1 LÉGENDE**

En référence à la **Fig.1** :

<b>1</b>	<b>TOUCHE ON/OFF</b>	<b>4</b>	<b>AFFICHEUR INFORMATIONS</b>
<b>2</b>	<b>TOUCHE SÉLECTION PROGRAMMES</b>	<b>5</b>	<b>BARRE TEMPORELLE</b>
<b>3</b>	<b>TOUCHE START</b>		

**4.2 SÉLECTION COMMANDES**

1 ) Pour accéder à la machine appuyer sur la touche **1 (Fig1)**.

Le témoin **3** commence de clignoter et la machine démarre le cycle de remplissage ; ne pas oublier de bien insérer le trop-plein et les filtres dans la cuve, puis de fermer la porte.

Le remplissage terminé la machine commence automatiquement de chauffer et à la fois de débiter la quantité de détergents prééglée.

2) La machine est prête à l'emploi quand le bouton lumineux **3** émet une lumière verte. (**Fig2**).

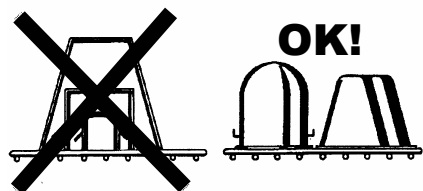
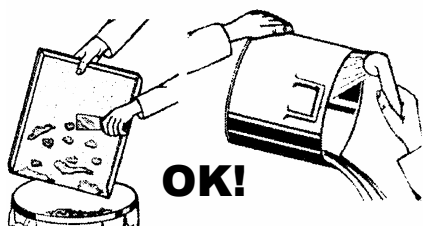
3) Sélectionner la durée du programme de lavage selon exigences avec le bouton **2 (Fig3)**.

Il est possible de sélectionner des programmes de lavage de 2 à 12 minutes env., ainsi qu'un programme d'autonettoyage CLS.

Le programme choisi demeure en mémoire pour toute utilisation à suivre.

4) Ouvrir la porte et introduire la vaisselle à laver en la disposant ainsi qu'il est décrit dans le chapitre suivant "4.3 Disposition de la vaisselle." Par la suite fermer la porte et lancer le cycle de lavage choisi avec le bouton **3**. Durant le lavage le bouton émet une lumière bleue claire.

5) Le lavage terminé la machine émet trois bips sonores et l'inscription **fin** s'affiche (**Fig5**). Ouvrir la porte, extraire le panier et attendre pendant quelques secondes jusqu'à ce que tous les objets soient régulièrement séchés.



### 4.3 UTILISATION DE LA MACHINE

Afin de réduire au minimum l'entretien, **NOUS PRECONISONS DE NETTOYER PREALABLEMENT** la vaisselle. L'élimination des déchets, des zestes de citron, des cure-dents, des noyaux d'olive, etc. qui risqueraient de boucher partiellement le filtre de l'électropompe, réduisant la performance du lavage, améliorera sensiblement la qualité du résultat final.

Il est conseillé de laver la vaisselle avant que les déchets puissent sécher sur sa surface. En cas de saleté durcie, il sera nécessaire d'effectuer un traitement de trempage avant d'introduire la vaisselle et les couverts dans la machine.

- Suivant les instructions du constructeur, introduire la quantité nécessaire de détergent dans la cuve de lavage.

- Le détergent doit être du type industriel, peu mousseux.

- Ne pas plonger les mains nues dans la lessive de lavage; ranger les tasses et les verres renversés dans les paniers. Introduire les assiettes dans le panier spécial qui est muni de doigts de support, la surface intérieure étant tournée vers le haut.

- Disposer les couverts et les cuillers à café, le manche étant tourné vers le bas.

- Ne pas ranger les couverts en argent et en acier inoxydable dans le même panier. Il s'ensuivrait le brunissage de l'argent et la corrosion probable de l'acier inoxydable.

- Utiliser les paniers spécifiques qui ont été spécialement conçus pour le type différent de vaisselle (assiettes, verres, tasses, couverts, etc.). Pour économiser du détergent et de l'énergie électrique, ne laver que les paniers complets, sans toutefois les surcharger. Eviter toute superposition de la vaisselle.

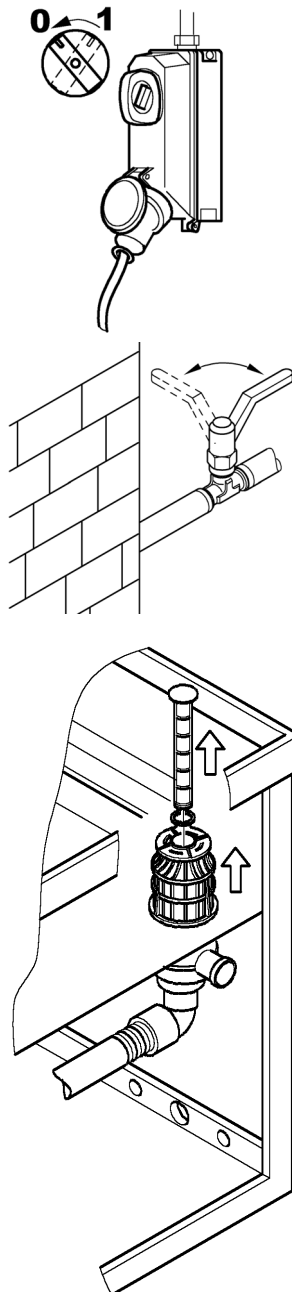
### 4.4 OPÉRATIONS DE FIN SERVICE

- Réaliser un cycle d'autonettoyage.

Sélectionner avec le bouton **2 (fig 6)** le programme " **CLS** " puis retirer les filtres, retirer le trop-plein, fermer la porte et appuyer sur le bouton **3**.

- La vidange terminée, la machine réalise deux cycles de rinçage, après quoi elle s'éteint automatiquement.





- Enlever tension de la machine
- Ouvrir la porte et enlever le corbillon avec la vaisselle propre.
- Faire déverser l'eau de la cuve en soulevant le trop-plein. Pour le modèle avec pompe de Vidange
- Déconnecter l'interrupteur général de l'appareillage.
- Fermer la soupape à vanne pour la connexion hydraulique.
- Enlever les filtres, les laver et nettoyer sous un jet d'eau froide avec une brosse en nylon.
- Faire attention à ne pas faire tomber les restes de saleté sur le fond du filtre pompe vidange dans la cuve. Nettoyer la cuve avec un jet d'eau modéré. Laver les surfaces extérieures quand elles sont froides avec produits non-abrasifs spécialement formulés pour l'entretien de l'acier.

**NOTE:** Ne pas laver l'appareil avec jets directs ou avec haute pression car éventuelles infiltrations aux composants électriques pourraient compromettre le régulier fonctionnement de l'appareil et des singles systèmes de sûreté. Amende la déchéance de la garantie.

#### 4.5 ACTIVATION DE LA CHARGE REDUITE UNIQUEMENT POUR TT924

Il est possible d'activer une fonction " charge réduite " bien pratique lorsqu'il y a peu d'objets à laver et permettant donc d'économiser l'électricité , l'eau et la lessive.

- 1) Introduire la vaisselle à laver en la disposant à la partie droite de la machine, ainsi qu'il est indiqué en ( **Fig7** ).
- 2) Ouvrir la porte et garder l'appui sur le bouton de marche **3** tant que le témoin **M** s'allume ( **Fig 8** )
- 3) Fermer la porte et activer le lavage ainsi qu'il est décrit au chapitre précédent.
- 4) Au cours du lavage l'écran affiche un symbole indiquant que seulement la moitié de la machine est en fonctionnement.

## 4.6 AFFICHAGE DES TEMPERATURES

L'écran d'affichage 9 (**Fig1**) présente en continu la température de rinçage ; le maintien de l'appui sur le bouton 4 pendant quelques secondes (**Fig4**) permet d'afficher la température de lavage et par la suite le nombre de lavages totalisés pendant la vie opérationnelle de la machine.

## CHAP. 5 ENTRETIEN

### 5.1 REGLES GENERALES

Les machines ont été conçue a fin de réduire au minimum les besoins d'entretien. Les règles suivantes doivent être observées rigoureusement a fin de garantir une longue durée et un bon fonctionnement sans problèmes.

De toute façon on devra observer certaines règles générales pour maintenir les machines en parfait état de marche:

- maintenir la machine propre et en bon état
- éviter que les réparations provisoires ou d'urgence deviennent systématiques.

L'observation rigoureuse des règles d'entretien périodique est extrêmement importante, tous les organes de la machine doivent être contrôlés régulièrement a fin d'éviter des anomalies éventuelles, en prévoyant ainsi les temps et les moyens nécessaires pour l'éventuel intervention d'entretien.

**Avant d procéder aux opérations de nettoyage, débrancher l'appareil.**

### 5.2 ENTRETIEN PERIODIQUE (à effectuer tous les 20 jours au minimum)

Pour faciliter les operation qui suivent peut être enlevé de son siège le châssis porte-panier.

- Démontez les bras de rinçage supérieurs et inférieurs, en devissant le cliquet de fixation.
  - Dévisser et nettoyer tous les jets et les remonter à leur place.
  - Démontez les bras de lavage supérieurs et inférieurs en devissant le pivot de rinçage les nettoyer et le rincer.
  - Retirer le filtre de la pompe de lavage. Le nettoyer et le rincer.
-

- Nettoyer soigneusement la cuve de lavage.
- Laisser le capot de la machine ouvert pendant toute la période de repos.
- A cause de sels de calcium et de magnésium présent dans l'eau, après une certaine période de fonctionnement, qui varie en fonction de la dureté de l'eau, une couche de tartre peut se former sur les parois de la cuve, du réchauffeur et des conduits, ce qui risque de préjudicier au bon fonctionnement de la machine.
- On devra donc effectuer périodiquement un détartrage que l'on conseille de faire exécuter par des techniciens qualifiés.
- Au cas où la machine resterait longtemps inutilisée, graisser les surfaces en acier avec de l'huile de vaseline.
- En cas de formation de glace, faire vider l'eau du réchauffeur et de la pompe de lavage par des techniciens qualifiés.



- **En cas de formation de glace, faire vider l'eau du réchauffeur et de la pompe de lavage par des techniciens qualifiés.**

## **CHAP. 6 DEMANTELEMENT**

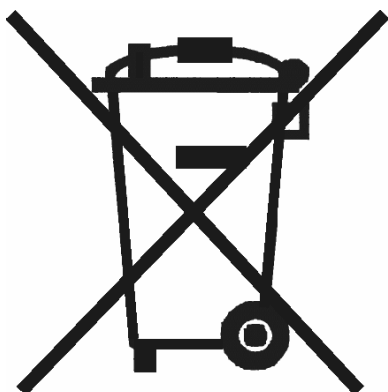
### **6.1 MISE AU REBUT DE LA MACHINE**

Sur nos machines il n'y a pas de matériaux qui demandent des procédures particulières de détérioration.

---

## 6.2 COMMENT ELIMINER CE PRODUIT

### (Déchet d'équipement électrique et électronique)



Ce symbole sur le produit ou sa documentation indique qu'il ne doit pas être éliminé en fin de vie avec les autres déchets ménagers. L'élimination incontrôlée des déchets pouvant porter préjudice à la santé humaine, veuillez le séparer des autres types de déchets et le recycler de façon responsable. Vous favoriserez ainsi la réutilisation durable des ressources matérielles.

Les particuliers sont invités à contacter le distributeur leur ayant vendu le produit ou à se renseigner auprès de leur mairie pour savoir où et comment ils peuvent se débarrasser de ce produit afin qu'il soit recyclé en respectant l'environnement.

Les entreprises sont invitées à contacter leurs fournisseur et à consulter les conditions de leur contrat de vente. Ce produit ne doit pas être éliminé avec les autres déchets commerciaux.

## INDICE

<b>CAP.1</b>	<b>PREFAZIONE .....</b>	<b>3</b>
<b>CAP.2</b>	<b>INSTALLAZIONE.....</b>	<b>3</b>
2.1	MOVIMENTAZIONE E DISIMBALLO.....	3
2.2	COLLEGAMENTO ELETTRICO .....	4
2.3	COLLEGAMENTO IDRAULICO.....	4
2.4	COLLEGAMENTO ALLA LINEA DI SCARICO.....	5
2.5	IMPOSTAZIONI VARIE.....	5
2.6	IMPOSTAZIONE TEMPERATURE E REGOLAZIONE DOSATORI.....	6
<b>CAP.3</b>	<b>RACCOMANDAZIONI DI SICUREZZA .....</b>	<b>7</b>
3.1	RISCHI RESIDUI E AVVERTENZA .....	7
3.2	NORMALI CONDIZIONI DI SERVIZIO .....	7
3.3	AREE PERICOLOSE .....	8
3.4	LIVELLO DI PRESSIONE ACUSTICA.....	9
3.5	MESSAGGI DI ERRORE .....	10
<b>CAP.4</b>	<b>USO DELLA MACCHINA.....</b>	<b>11</b>
4.1	LEGENDA.....	11
4.2	SELEZIONE COMANDI.....	11
4.3	DISPOSIZIONE STOVIGLIE.....	12
4.4	OPERAZIONI DI FINE SERVIZIO .....	13
4.5	ATTIVAZIONE MEZZO CARICO SOLO PER TT924 .....	14
4.6	VISUALIZZAZIONE TEMPERATURE .....	14
<b>CAP.5</b>	<b>MANUTENZIONE .....</b>	<b>14</b>
5.1	REGOLE GENERALI .....	14
5.2	MANUTENZIONE PERIODICA (da effettuarsi minimo ogni 20 giorni) .....	15
<b>CAP.6</b>	<b>SMANTELLAMENTO .....</b>	<b>16</b>
6.1	SMANTELLAMENTO DELLA MACCHINA .....	16
6.2	CORRETTO SMALTIMENTO DEL PRODOTTO.....	16

---



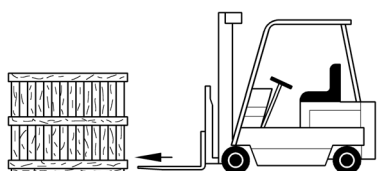
## CAP.1 PRAFAZIONE

Le avvertenze contenute nel presente manuale forniscono importanti indicazioni riguardanti la sicurezza nelle varie fasi di: installazione, uso e manutenzione.

**L'operatore avrà obbligatoriamente il dovere di visionare il presente manuale** prima di avviare ogni operazione riguardante la movimentazione, l'installazione, l'uso, la manutenzione o la messa fuori servizio della stessa macchina; è necessario quindi, conservarlo integro nel tempo, attraverso una collocazione sicura, con eventuali copie per la consultazione frequente

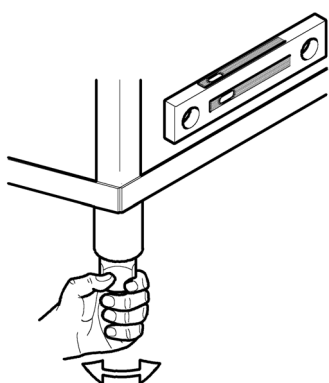
## CAP.2 INSTALLAZIONE

### 2.1 MOVIMENTAZIONE E DISIMBALLO

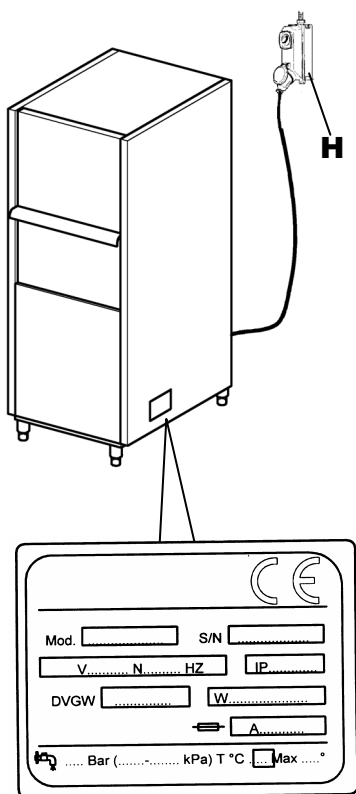


- La movimentazione deve avvenire con rigorosa cura a mezzo di carrello elevatore.
- Verificare l'integrità dell'apparecchiatura, in caso di danneggiamenti visibili, informare immediatamente il venditore ed il trasportatore che ne ha effettuato il trasporto. In caso di dubbio non utilizzare l'apparecchiatura fino a quando la stessa non sarà stata controllata da personale specializzato.
- Trasportare la macchina nel luogo previsto per l'installazione, liberandola dall'imballo.


**Gli elementi dell'imballo (esempio: sacchetti di plastica, polistirolo espanso, chiodi, etc. ...) non devono essere lasciati alla portata dei bambini in quanto fonte di potenziale pericolo.**

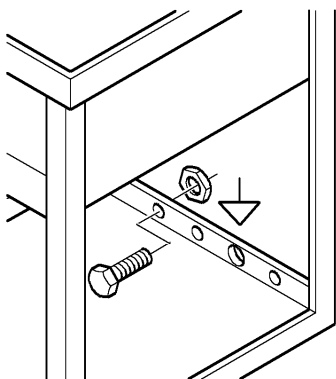


- L'installazione deve essere effettuata secondo le istruzioni del costruttore e da personale professionalmente qualificato.
- Questo apparecchio è adatto solo ad un allacciamento fisso.
- Mettere in posizione la macchina curandone il perfetto livellamento regolando i piedini.
- La pavimentazione dovrà essere dimensionata tenendo conto del peso complessivo della macchina.
- Seguendo le indicazioni riportate sullo schema di installazione della macchina predisporre, nel locale di lavaggio, gli impianti di alimentazione elettrica, approvvigionamento idrico e di scarico.



## 2.2 COLLEGAMENTO ELETTRICO

1. Il collegamento alla rete elettrica dovrà essere effettuato mediante un interruttore generale (H) e deve essere di tipo onnipolare, che interrompa tutti i contatti incluso il neutro, con distanza tra i contatti aperti di almeno 3 mm. con scatto magnetotermico di sicurezza od accoppiato a dei fusibili in grado di sopportare la corrente massima indicata in targa.
2. Accertarsi che la tensione e frequenza della rete elettrica siano corrispondenti a quelli della targhetta riportante le caratteristiche tecniche posta sul fianco destro della macchina.
3. Un efficace impianto di messa a terra, imposto dalle vigenti norme di prevenzione, è una garanzia di sicurezza per l'operatore e l'apparecchiatura.
4. È assolutamente vietato l'uso di adattatori, prese multiple e prolunghie.
5. L'apparecchiatura deve inoltre essere inclusa in un sistema equipotenziale, il cui collegamento viene effettuato mediante una vite contrassegnata dal simbolo . Il conduttore equipotenziale deve avere una sezione di 10 mm<sup>2</sup>.



Il cavo di alimentazione, in dotazione, potrà essere sostituito solo con un altro di uguale sezione del tipo H07RN-F.

Per ulteriori informazioni consultare lo schema elettrico allegato.

## 2.3 COLLEGAMENTO IDRAULICO

Predisporre il locale secondo lo schema idraulico allegato.

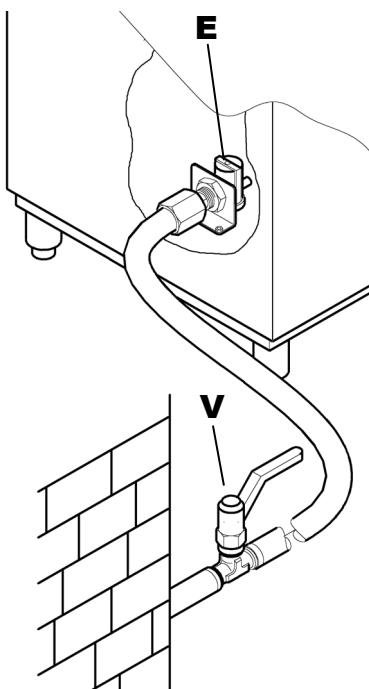
Prima di collegare l'apparecchio accertarsi che tra la rete di alimentazione idrica e l'apparecchio sia stata interposta una valvola a saracinesca che permetta di poter interrompere l'alimentazione in caso di necessità o di riparazione.

Mediante il tubo flessibile in dotazione collegare l'elettrovalvola (E) di carico alla valvola a saracinesca (V), assicurarsi che la portata di alimentazione non sia inferiore a 20 l/min.

**Accertarsi che la temperatura e pressione dell'acqua di alimentazione sia corrispondente a quanto riportato nella targhetta caratteristiche tecniche.**

Nel caso in cui la durezza dell'acqua dovesse risultare superiore a quanto indicato in tabella, consigliamo di installare un decalcificatore a monte della elettrovalvola di alimentazione della macchina.

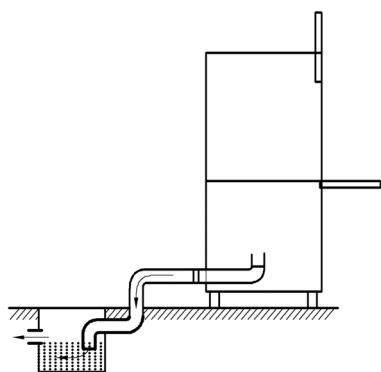
Nel caso di concentrazioni molto alte di minerali residui nell'acqua di conducibilità elevate consigliamo l'installazione di un impianto di





demineralizzazione tarato per avere una durezza residua come da tabella qui di seguito riportata.

	<b>Caratteristiche</b>		<b>Da</b>	<b>A</b>
Durezza	Gradi francesi	f	5	10
	Gradi tedeschi	°dH	4	7'5
	Gradi inglesi	°e	5	9,5
	Parti per milione	ppm	70	140
Minerali residui	Massimo	mg/l	300/400	



## 2.4 COLLEGAMENTO ALLA LINEA DI SCARICO

Lo svuotamento della vasca avviene per gravità, quindi lo scarico deve essere situato ad un livello inferiore alla base della macchina

Il codolo di scarico deve essere collegato mediante tubo flessibile ad un pozzetto o piletta sifonata ricavata nel pavimento.

Le dimensioni dello scarico della macchina sono riportate nello schema installazione.

## 2.5 IMPOSTAZIONI VARIE

Accedere al “menù primario” impostazioni tecniche.

Procedere come descritto ( **fig. 1** )

- Aprire lo sportello o la capot
- Premere contemporaneamente i pulsanti 2 e 3 (selezione ciclo e start) per 5 secondi
- Successivamente premendo ripetutamente il pulsante 1 (on /off macchina) è possibile selezionare le voci nel seguente ordine; è possibile attivare o cambiare parametri mediante i pulsanti 2 e 3.
- Per uscire e memorizzare le nuove impostazioni è sufficiente mantenere premuto per alcuni secondi il pulsante 1.

**LANGUAGE:** Selezionare la lingua desiderata.

**THERMOSTOP:** Disattivazione della funzione termostop

**ENERGY SAVING:** Attivazione della funzione Energy saving.

**PREHITING:** Attivazione riscaldamento rapido macchina.

**DETERGENT PUMP:** Attivazione continua della pompa detergente. Mantenendo premuto il pulsante 3 è possibile caricare la pompa detergente. Si consiglia di caricare il detergente fin tanto che il tubo di aspirazione non è totalmente carico.

**RINSE AID PUMP:** Attivazione continua della pompa brillantante. Mantenendo premuto il pulsante 3 è possibile caricare la pompa brillantante. Si consiglia di caricare il brillantante fin tanto che il tubo di aspirazione non è totalmente carico.

**DOSAGE TIME DURING WASHING:** In questa voce è possibile regolare il tempo di attivazione della pompa del detergente quindi la concentrazione di detergente in vasca. Mediante i pulsanti 2 e 3 si incrementa o decrementa il tempo di accensione.

**RINSE PRODUCT:** In questa voce è possibile regolare il tempo di attivazione della pompa del brillantante quindi la quantità utilizzata. Mediante i pulsanti 2 e 3 si incrementa o decrementa il tempo di accensione.

**DRAIN PUMP:** apparecchiatura non installabile su questa macchina.

**WATER SOFTNER:** apparecchiatura non installabile su questa macchina.

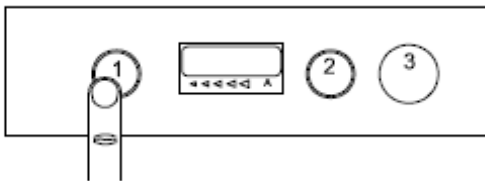
**EXTERNAL SOFTENER CYCLEIS:** Depuratore esterno. Nel caso in cui l'installazione preveda un depuratore esterno alla macchina è previsto che si immetta un numero di lavaggi effettuati oltre il quale la macchina avvisa con un messaggio di effettuare la manutenzione.

**CYCLE COUNTER:** Numero dei cicli totali effettuati dalla macchina.

## 2.6 IMPOSTAZIONE TEMPERATURE E REGOLAZIONE DOSATORI

### - Regolazione temperature:

Mantenendo premuto il pulsante 1 per alcuni secondi comparirà la scritta "A BOILER SET TEMPERATUR" con i pulsanti 2 e 3 è possibile aumentare o diminuire il set temperatura boiler.



Premendo più volte il pulsante 1 comparirà la scritta "B TANK SET TEMPERATUR" regolazione temperatura vasca, per i modelli dotati di ciclo per lavaggio posate è possibile regolare la temperatura del ciclo posate premendo di nuovo il pulsante 1 e visualizzare C FLATWAIRE.

Sempre mediante i pulsanti 2 e 3 si può variare la temperatura lavaggio.

Per uscire da questa condizione, mantenere premuto il pulsante 1.

Nota :

si consiglia di spegnere ed riaccendere la macchina premendo più volte il pulsante di linea 1.

### - Regolazione dosatori detersivo.

**Attenzione: il detersivo deve essere di tipo industriale, liquido a schiuma frenata.**

Accedere al "menù primario" impostazioni tecniche come descritto nel cap 2.5 Scorrere mediante il pulsante 1 fino alla voce "DOSAGE TIME DURING WASHING" Il tempo visualizzato corrisponde al tempo di accensione del dosatore detersivo durante la fase di lavaggio di un programma. E' possibile variare questo tempo mediante i pulsanti 2 e 3, per uscire da questa situazione è sufficiente mantenere premuto il pulsante 1 fino a visualizzare i trattini. Il tempo impostato si somma al tempo di funzionamento per il caricamento iniziale.

La elettropompa detergente ha una portata di 3 Litri/ora.

Ricordiamo che la quantità di detersivo può variare secondo quanto indicato nella targa sulla tanica da 2 a 4 gr/L per acque la cui durezza va da 5 – 10 °F (gradi francvsi).

- **Regolazione dosatori Brillantante.**

Accedere al “menù primario” impostazioni tecniche come descritto nel cap 2.5 Scorrere mediante il pulsante 1 fino alla voce RINSE AID PUNP. Il tempo visualizzato corrisponde al tempo di accensione del dosatore brillantante alla fine del programma lavaggio. E' possibile variare questo tempo mediante i pulsanti 2 e 3, per uscire da questa situazione è sufficiente mantenere premuto il pulsante 1 fino a visualizzare i trattini. Il tempo impostato si somma al tempo di funzionamento per il caricamento iniziale.

La elettropompa detergente ha una portata di 0.4 Litri/ora.

## **CAP.3 RACCOMANDAZIONI DI SICUREZZA**



### **3.1 RISCHI RESIDUI E AVVERTENZA**

- Non aprire mai velocemente la porta della macchina se non ha finito il ciclo.
- Non immergere mai le mani nude nelle soluzioni di lavaggio.
- Non rimuovere mai i pannelli macchina se non si è prima provveduto a scollegare l'alimentazione a monte.
- Il personale specializzato che effettua l'installazione e l'allacciamento elettrico, è tenuto ad istruire adeguatamente l'utente circa il funzionamento dell'apparecchio e le eventuali misure di sicurezza da rispettare.
- L'installatore dovrà inoltre dare all'utente dimostrazioni pratiche sul modo di utilizzo e dovrà rilasciargli le relative istruzioni scritte che vengono fornite assieme all'apparecchio stesso.
- **Questo apparecchio dovrà essere destinato solo all'uso per il quale è stato espressamente concepito. Ogni altro uso è da considerarsi improprio e quindi pericoloso.**
- La macchina non deve essere utilizzata da personale non addestrato.
- Non utilizzare mai la macchina senza protezioni ( microinterruttori, pannelli od altro) predisposte dal costruttore .
- Non utilizzare mai la macchina per lavare oggetti di forma, tipo, misura, o materiale non compatibili con quanto indicato dal costruttore.
- L'eventuale riparazione della macchina dovrà essere effettuata solamente dalla casa costruttrice o da un centro di assistenza autorizzato utilizzando esclusivamente ricambi originali.
- Il mancato rispetto di quanto sopra può compromettere la sicurezza dell'apparecchio.
- La macchina non deve rimanere sotto tensione quando non viene utilizzata.
- Non avvicinare oggetti magnetici alla macchina, potrebbe avviarsi inavvertitamente.

#### **E IMPORTANTE SAPERE CHE:**

- **La macchina deve avere un perfetto collegamento elettrico di terra il quale deve essere periodicamente controllato e verificato.**

### **3.2 NORMALI CONDIZIONI DI SERVIZIO**

**Temperatura ambiente : 40°Cmax /4°Cmin ( media 30°C)**

**Altitudine : fino a 2000 metri**

**Umidità relativa : Max 30% a 40°C / max 90% a 20°C**

**Trasporto e deposito : tra -10°C e 55°C con picco fino a 70°C (per max 24 ore)**

### 3.3 AREE PERICOLOSE

Definizione delle zone o aree di pericolo e modalità ( vedi fig. pagina seguente) di manifestazione dello stesso e descrizione generale delle misure protezione adottate



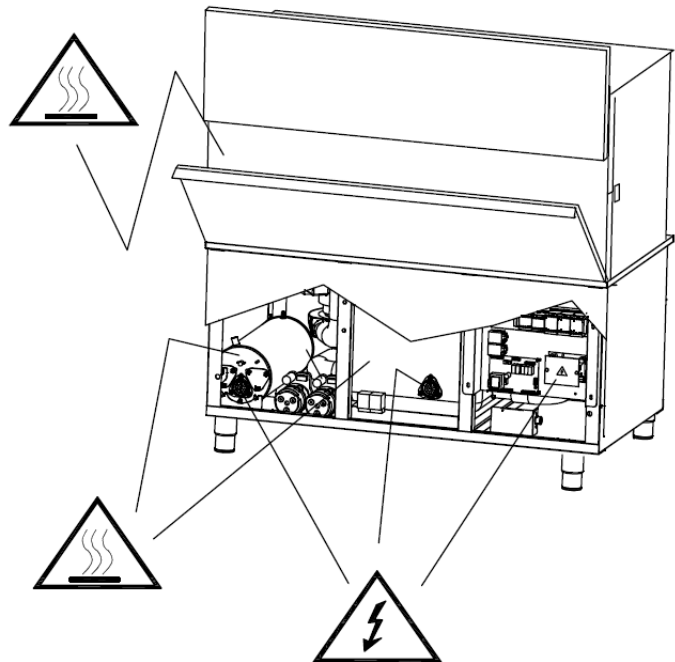
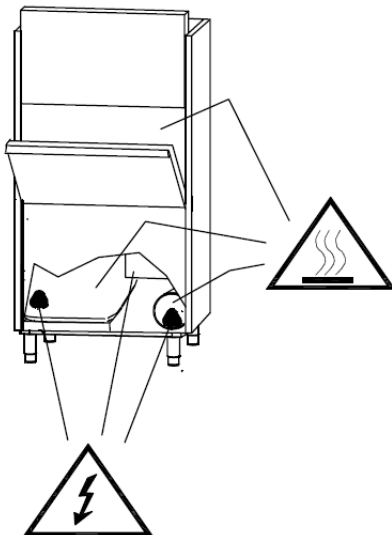
#### Tensione elettrica pericolosa.

- Quadro elettrico generale.
- Elettropompe
- Resistenze elettriche

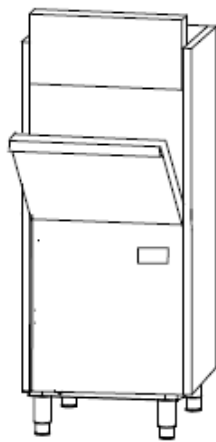


#### Pericolo di natura termica

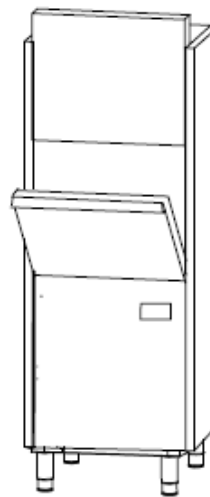
Superficie calda



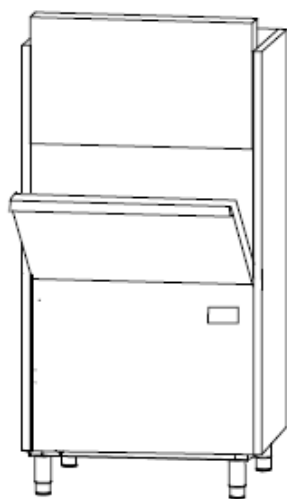
### 3.4 LIVELLO DI PRESSIONE ACUSTICA



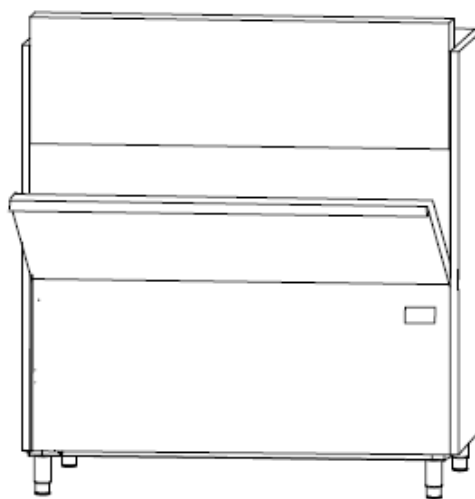
66 dB



66,8 dB



67,4 dB



74,3 dB

### 3.5 MESSAGGI DI ERRORE

#### **Cosa fare se il display mostra:**

##### ***ER 01 Mancato Risciacquo***

Quando sul display compare questo tipo di errore significa che il risciacquo non è stato eseguito correttamente. Per tanto si consiglia di controllare che gli spruzzatori di risciacquo siano completamente liberi, quindi eseguire di nuovo un programma lavaggio se il problema persiste contattare un centro assistenza tecnica autorizzata.

##### ***ER 02 Mancato scarico***

Quando il display mostra questo messaggio significa che la vasca non si è scaricata correttamente. Spegnerne ed riaccendere la macchina selezionare il ciclo di scarico e :

- Controllare che durante il ciclo di scarico venga tolto il troppopieno dallo scarico vasca.( per le versioni con troppo pieno). quindi eseguire di nuovo un scarico o ciclo autopulente, se il problema persiste contattare un centro assistenza tecnica autorizzata

##### ***ER 03 Mancato riscaldamento***

Quando compare questo tipo di messaggio significa che il riscaldamento boiler non avviene correttamente. Spegnerne ed accendere la macchina, ripetere il programma impostato, se il problema persiste contattare un centro assistenza tecnica autorizzata.

##### ***Strani rumori durante il riscaldamento.***

Resistenza totalmente incrostata di calcare o sali contenute in acque ad alta conducibilità, si consiglia la sostituzione. Prego controllare il funzionamento del depuratore acqua macchina.

##### ***ER 04 Mancato caricamento vasca o rottura sensore livello acqua in vasca.***

Quando compare questo messaggio significa che si è verificato un problema durante il caricamento. Si consiglia di controllare che :

- Vi sia presenza d' acqua nella rete.
  - Il troppopieno sia correttamente inserito ( per i modelli con troppo pieno).
  - La portata e pressione d'acqua siano idonee alla macchina in oggetto.
- Si consiglia di spegnere ed accendere la macchina senza svuotare la vasca, se il problema persiste contattare un centro assistenza tecnica autorizzata.

##### ***ER 05 ; ER 06 Rottura sensore controllo temperatura vasca.***

Questo messaggio compare quando la sonda che controlla la temperatura acqua lavaggio è rotta.

Er 05: sensore aperto

Er 06: sensore in corto circuito.

Si consiglia di contattare un centro assistenza tecnica autorizzata

##### ***ER 07; ER 08 Rottura sensore controllo temperatura boiler.***

Questo messaggio compare quando la sonda che controlla la temperatura acqua boiler è rotta.

Er 07: sensore aperto

Er 08: sensore in corto circuito.

Si consiglia di contattare un centro assistenza tecnica autorizzata

##### ***ER 09 Mancato caricamento boiler o rottura sensore livello boiler.***

Questo messaggio compare quando si verifica che il boiler non è correttamente caricato. Per evitare che le stoviglie non siano regolarmente risciacquate la macchina si blocca.

-Verificare che portata e pressione idraulica siano corrette.  
 Si consiglia di contattare un centro assistenza tecnica autorizzata

**HIR b temperatura eccessiva di risciacquo.**

Questo tipo di messaggio compare quando il sensore temperatura boiler rileva una temperatura eccessiva.

E' necessario abbassare la temperatura di set boiler

- Ricordiamo che l'intervento di sicurezze e segnalazioni alta temperature può essere provocato anche dal fatto che la macchina stessa è installata ad una altitudine superiore a 2000 mt, nota in questo caso si consiglia di abbassare ogni set di riscaldamento in quanto il punto di ebollizione dell'acqua si abbassa.

**HIW T temperatura eccessiva di lavaggio.**

Questo tipo di messaggio compare quando il sensore temperatura vasca rileva una temperatura eccessiva.

E' necessario abbassare la temperatura di set vasca

**SAFE Intervento termostati di sicurezza**

Si consiglia di contattare un centro assistenza tecnica autorizzata

**CAP.4 USO DELLA MACCHINA**

**4.1 LEGENDA**

Con riferimento alla **Fig.1** si ha:

<b>1 PULSANTE ON/OFF</b>	<b>4</b>	<b>DISPLAY INFORMAZIONI</b>
<b>2 PULSANTE SELEZIONE PROGRAMMI</b>	<b>5</b>	<b>BARRA TEMPORALE</b>
<b>3 PULSANTE START</b>		

**4.2 SELEZIONE COMANDI**

1 ) Per accendere la macchina premere il tasto **1 ( Fig1)**.

Il pulsante **3** inizia a lampeggiare, la macchina avvia il caricamento , ricordarsi di inserire correttamente il troppopieno, filtri in vasca e chiudere lo sportello.

Effettuato il caricamento la macchina inizia automaticamente il riscaldamento e contemporaneamente aspira la quantità di detersivi impostata.

2) La macchina sarà pronta per essere utilizzata quando il pulsante luminoso **3** sarà acceso di verde. ( **Fig2**).

3) Selezionare la durata del programma di lavaggio secondo la propria esigenza mediante il pulsante **2 ( Fig3)**.

E' possibile selezionare a rotazione programmi di lavaggio da 2 a 12 minuti circa e in più un programma di auto-pulizia CLS.

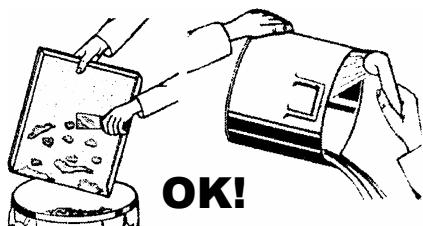
Il programma scelto rimarrà in memoria per gli utilizzi successivi.

4) Aprire lo sportello ed introdurre gli oggetti da lavare disposti in modo come descritto nel capitolo successivo "4.3 disposizione stoviglie." Successivamente chiudere lo sportello ed avviare il lavaggio selezionato mediante il pulsante **3**. Durante il lavaggio il pulsante si illumina di azzurro .

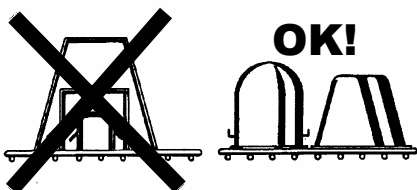
5) Terminato il lavaggio la macchina emette tre beep sonori e compare la scritta **fine ( Fig5)**.. Aprire lo sportello, estrarre il cestello ed attendere alcuni secondi affinché tutti gli oggetti siano regolarmente asciutti.

### 4.3 DISPOSIZIONE STOVIGLIE

Al fine di ridurre al minimo la manutenzione, **RACCOMANDIAMO UNA PULIZIA PREVENTIVA** delle stoviglie. La rimozione di resti di cibo, bucce di limone, stuzzicadenti, noccioli d'oliva, ecc., che potrebbero parzialmente ostruire il filtro della elettropompa, diminuendo l'efficacia del lavaggio, migliorerà in modo sostanziale la qualità del risultato finale.



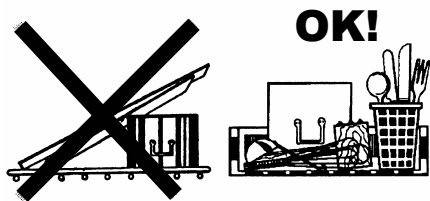
**E' consigliabile lavare le stoviglie prima che i residui di cibo possano essiccare sulle loro superfici. In caso di sporco indurito, sarà opportuno effettuare un trattamento di ammollo prima di introdurre stoviglie e posate nella macchina**



- Seguendo le istruzioni del fabbricante, immettere la quantità richiesta di detersivo nella vasca di lavaggio.

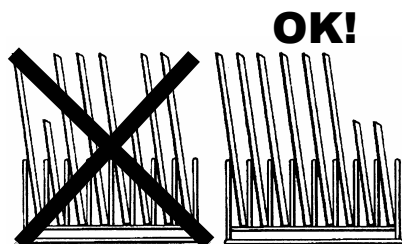
- Il detersivo deve essere di tipo industriale, liquido a schiuma frenata.

- Non immergere le mani nude nella lisciva di lavaggio, posizionare le tazze e i bicchieri rovesciati nei cestelli. Inserire i piatti nell'apposito cestello dotato di dita di supporto con la superficie interna rivolta verso l'alto.



- Mettere le posate ed i cucchiari da caffè, con l'impugnatura rivolta verso il basso.

- Non sistemare posate d'argento e d'acciaio inossidabile nello stesso cestello portaposate. Ne risulterebbe la brunitura dell'argento e la probabile corrosione dell'acciaio inossidabile.

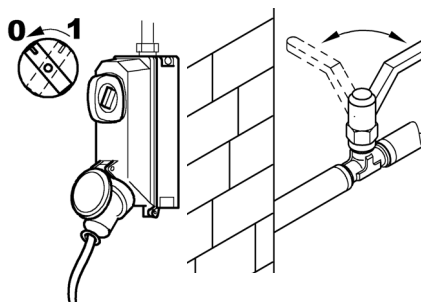


- Utilizzare i cestelli specifici appositamente concepiti per il diverso tipo di stoviglie (piatti, bicchieri, tazze, posate, ecc.). Per risparmiare detersivo ed energia elettrica, lavare solo cestelli completi, senza però sovraccargarli. Evitare ogni sovrapposizione di stoviglie.

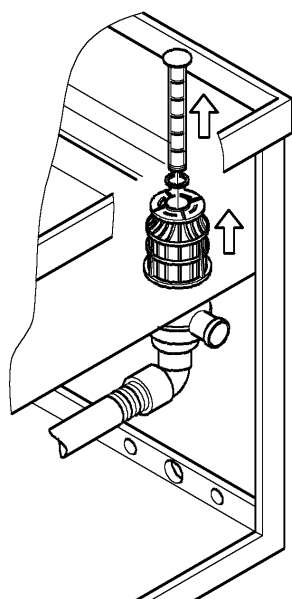


#### 4.4 OPERAZIONI DI FINE SERVIZIO

- Effettuare un ciclo di auto-pulizia. Selezionare mediante il pulsante **2 (fig 6)** il programma “**CLS**” quindi togliere i filtri, togliere il troppopieno, chiudere lo sportello e premere il pulsante **3**.
- Terminato lo scarico la macchina effettua due cicli di risciacquo, al termine dei quali la macchina si spegnerà automaticamente.
- Togliere tensione alla macchina.



- Aprire la porta ed estrarre il cestello con le stoviglie pulite.
- Scaricare l'acqua della vasca sollevando il troppopieno. Per il modello con pompa di scarico attenersi alle operazioni descritte nel paragrafo.



- Disinserire l'interruttore generale a monte dell'apparecchiatura.
- Chiudere la valvola a saracinesca per il collegamento idraulico.

#### ATTENZIONE

- Prestare attenzione a non fare cadere i residui di sporco depositati sul fondo del filtro pompa scarico all'interno della vasca. Pulire la vasca con un getto d'acqua moderato. Lavare le superfici esterne, quando sono fredde con prodotti non abrasivi appositamente formulati per la manutenzione dell'acciaio.

**NOTA:** Non lavare l'apparecchio con getti diretti o ad alta pressione poiché eventuali infiltrazioni ai componenti elettrici potrebbero pregiudicare il regolare funzionamento dell'apparecchio e dei singoli sistemi di sicurezza, pena la decadenza della garanzia.

## 4.5 ATTIVAZIONE MEZZO CARICO SOLO PER TT924

E' possibile attivare la funzione "mezzo carico" utile quando abbiamo pochi oggetti da lavare, si ottiene così un risparmio energetico , un risparmio d' acqua e detersivi.

1) introdurre le stoviglie da lavare disponendole nella parte destra della macchina, come indicato in ( *Fig7* ).

2) Aprire lo sportello e mantenere premuto di start **3** fin tanto che non si illumina la spia **M** (*Fig 8*)

3) Chiudere lo sportello e attivare il lavaggio come descritto nel capitolo precedente.

4) Durante il lavaggio compare un simbolo nel display il quale indica che è in funzione solo metà macchina.

## 4.6 VISUALIZZAZIONE TEMPERATURE

Il display 9 ( *Fig1* ) mostra in ogni momento la temperatura del risciacquo, mantenendo premuto il pulsante **4** per alcuni secondi ( *Fig4* ) è possibile visualizzare la temperatura del lavaggio e successivamente il numero di lavaggi effettuato nella vita della macchina.

## CAP.5 MANUTENZIONE

### 5.1 REGOLE GENERALI

Le macchine sono progettate per ridurre al minimo le esigenze di manutenzione. Le regole che seguono devono essere rispettate in tutti i casi al fine di garantire una lunga durata ed un funzionamento senza inconvenienti.

In ogni caso, dovranno essere rispettate alcune regole generali per tenere le macchine in perfetto ordine di marcia:

- tenere la macchina pulita ed in ordine
- evitare che le riparazioni provvisorie o d'urgenza diventino sistematiche

La rigorosa osservanza delle regole di manutenzione periodica è estremamente importante; tutti gli organi della macchina devono essere regolarmente controllati al fine di evitare che si verificano eventuali anomalie prevedendo così i tempi necessari per l'eventuale intervento di manutenzione.

**Prima di effettuare le operazioni di pulizia staccare l'alimentazione elettrica all'apparecchiatura.**

## **5.2 MANUTENZIONE PERIODICA (da effettuarsi minimo ogni 20 giorni)**

Per agevolare le operazioni che seguono può essere tolto dalla propria sede il telaio portacestelli.

- Smontare i bracci di risciacquo superiore ed inferiore, svitando il nottolino di fissaggio.
- Pulire tutti gli spruzzi da eventuali ostruzioni e rimontarli al loro posto.
- Smontare i bracci di lavaggio superiore ed inferiori svitando il perno di risciacquo pulirli e risciacquarli.
- Togliere il filtro pompa di lavaggio pulirlo e risciacquarlo.
- Quindi pulire con molta cura la vasca di lavaggio.
- Lasciare la cappotta dell'apparecchio aperta per tutto il periodo di riposo.
- A causa dei sali di calcio e di magnesio presenti nell'acqua, dopo un certo periodo di funzionamento, variabile in funzione alla durezza dell'acqua, sulle superfici interne della vasca del boiler e delle tubazioni si forma un incrostazione calcarea che può pregiudicare il buon funzionamento dell'apparecchio.
- Si dovrà pertanto provvedere alla periodica disincrostazione, che si consiglia di far eseguire da personale tecnicamente qualificato.
- Qualora l'apparecchio dovesse rimanere inattivo per un lungo periodo, oliare le superfici in acciaio con olio di vasellina.
- Nel caso di pericolo di formazione di ghiaccio, fare scaricare, da personale tecnicamente qualificato l'acqua dal boiler e dalla pompa di lavaggio.
- **In caso di malfunzionamento o di guasti, rivolgersi esclusivamente ad un centro di assistenza tecnica autorizzato dal costruttore dell'apparecchiatura o dal suo Concessionario.**



## CAP.6 SMANTELLAMENTO

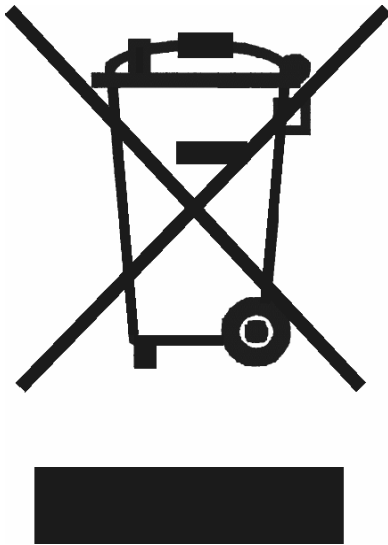
### 6.1 SMANTELLAMENTO DELLA MACCHINA

Sulle nostre macchine non esistono materiali che richiedono particolari procedure di smaltimento.

### 6.2 CORRETTO SMALTIMENTO DEL PRODOTTO

(rifiuti elettrici ed elettronici)

(Applicabile nei paesi dell'Unione Europea e in quelli con sistema di raccolta differenziata)



il marchio riportato sul prodotto o sulla sua documentazione indica che il prodotto non deve essere smaltito con rifiuti domestici al termine del ciclo di vita. Per evitare eventuali danni all'ambiente o alla salute causati dall'inopportuno smaltimento dei rifiuti, si invita l'utente a separare questo prodotto da altri tipi di rifiuti e di riciclarlo in maniera responsabile per favorire il riutilizzo sostenibile delle risorse materiali.

Gli utenti domestici sono invitati a contattare il rivenditore presso il quale il prodotto o l'ufficio locale preposto per tutte le informazioni relative alla raccolta differenziata e il riciclaggio per questo tipo di prodotto.

Gli utenti aziendali sono invitati a contattare il proprio fornitore e verificare i termini e le condizioni del contratto di acquisto. **Questo prodotto non deve essere smaltito unitamente ad altri rifiuti commerciali.**

## INDÍCE

<b>CAP.1</b>	<b>INTRODUCCIÓN .....</b>	<b>2</b>
<b>CAP.2</b>	<b>INSTALACIÓN .....</b>	<b>2</b>
2.1	MANEJO Y DESEMBALAJE .....	2
2.2	CONEXIÓN ELÉCTRICA.....	3
2.3	CONEXIÓN HIDRÁULICA.....	3
2.4	CONEXIÓN AL DESAGÜE.....	4
2.5	PROGRAMACIONES VARIAS .....	4
2.6	PROGRAMACIÓN TEMPERATURAS Y REGULACIONES DOSIFICADORES .....	5
<b>CAP.3</b>	<b>RECOMENDACIONES DE SEGURIDAD .....</b>	<b>6</b>
3.1	RIESGOS RESIDUALES Y ADVERTENCIAS .....	6
3.2	ESTADOS NORMALIDAD SERVICIO .....	6
3.3	ZONAS PELIGROSAS.....	7
3.4	USTED PRESIONES ACUSTICA PLANAS.....	7
3.5	MENSAJES DE ERROR.....	7
<b>CAP.4</b>	<b>USO DE LA MÁQUINA.....</b>	<b>8</b>
4.1	<b>LEYENDA.....</b>	<b>8</b>
4.2	SELECCIÓN MANDOS.....	8
4.3	UTILIZACIÓN DE LA MAQUINA.....	9
4.4	OPERACIONES DE CONCLUSIÓN.....	10
4.5	ACTIVACIÓN MEDIA CARGA SOLO PARA TT924 .....	11
4.6	VISUALIZACIÓN TEMPERATURAS .....	12
<b>CAP.5</b>	<b>MANUTENCION .....</b>	<b>12</b>
5.1	NORMAS GENERALES .....	12
5.2	MANUTENCIÓN PERIÓDICA (hay que efectuarla como mínimo cada 20 días).....	13
<b>CAP.6</b>	<b>DESARME .....</b>	<b>14</b>
6.1	DESARME DE LA MÁQUINA .....	14
6.2	ELIMINACIÓN CORRECTA DE ESTE PRODUCTO.....	14

---



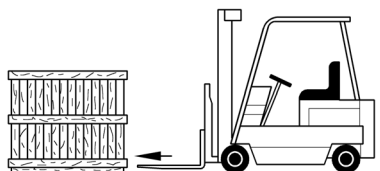
## CAP.1 INTRODUCCIÓN

Las observaciones de este manual contienen indicaciones importantes referentes a la seguridad de las distintas fases: la instalación, el empleo y la manutención.

El usuario tendrá que leer obligatoriamente el presente manual antes de empezar cada operación concerniente al movimiento, la instalación, el uso, la manutención y el apagado de la misma máquina; así pues es necesario conservarlo íntegramente en el tiempo, colocándolo en un sitio seguro y realizar diversas copias para su frecuente consultación.

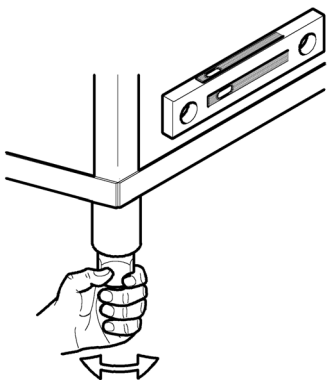
## CAP.2 INSTALACIÓN

### 2.1 MANEJO Y DESEMBALAJE



- El manejo debe realizarse con gran cuidado por medio de una máquina elevadora.
- Verificar la integridad del aparato, y , en el caso de daños visibles, informar inmediatamente al vendedor y al transportista que haya efectuado el transporte. En caso de duda no utilizar el aparato hasta que no haya sido controlado por el personal especializado.
- Transportar la máquina al lugar previsto para su ubicación y desembalarla.

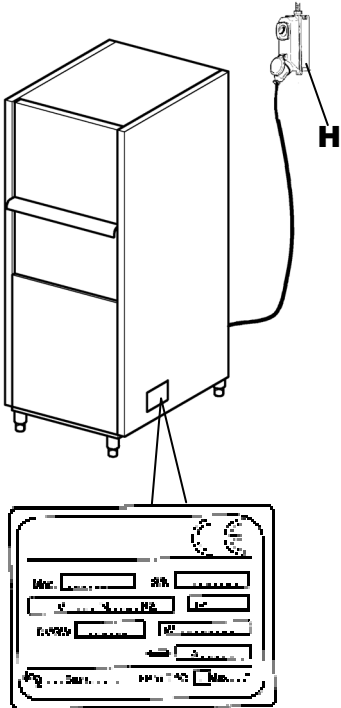
**Los elementos del embalaje (bolsas de plástico, poliuretano expandido, clavos, etc....) no deben dejarse al alcance de los niños, pues constituyen un peligro potencial.**




- La instalación debe ser realizada según las instrucciones del constructor y por el personal profesionalmente calificado.
- Este aparato está apto únicamente por una conexión fija.
- Posicionar el aparato teniendo en cuenta que debe quedar perfectamente nivelado regulando las patas.
- La pavimentación deberá tener en cuenta el peso global del aparato.
- Siguiendo las indicaciones del esquema de la instalación del aparato disponer, en la zona de lavado, las instalaciones de alimentación eléctrica, abastecimiento hídrico y desagüe.



## 2.2 CONEXIÓN ELÉCTRICA



1. La conexión a la red se efectuará mediante un interruptor general (H) Debe ser de tipo omnipolar, que interrumpa todos los contactos, incluido el neutro, con una distancia entre los contactos abiertos de almenos 3 mm., con desconexión magnetotérmica de seguridad o acoplado a fusibles en grado de soportar la corriente máxima indicada en la placa.
2. Asegurarse que la tensión y la frecuencia a la red eléctrica correspondan a las de la placa que contiene las características técnicas y que se encuentra en el lado derecho del aparato.
3. Una eficaz conexión a tierra, obligatoria según las normas de prevención en vigor, es una garantía de seguridad para el usuario y el aparato.
4. Está totalmente prohibido el uso de adaptadores, tomas múltiples y alargadores.
5. El aparato debe incluirse además en un sistema equipotencial, cuya conexión se realice mediante un tornillo indicado con el símbolo.  El conductor equipotencial debe tener una sección de 10 mm<sup>2</sup>.



El cable de alimentación, en dotación, solamente podrá substituirse por otro del mismo espesor de tipo HR7RN-F.

Para mayor información consultar el esquema eléctrico anexo.

## 2.3 CONEXIÓN HIDRÁULICA

Preparar el local según el esquema hidráulico anexo.

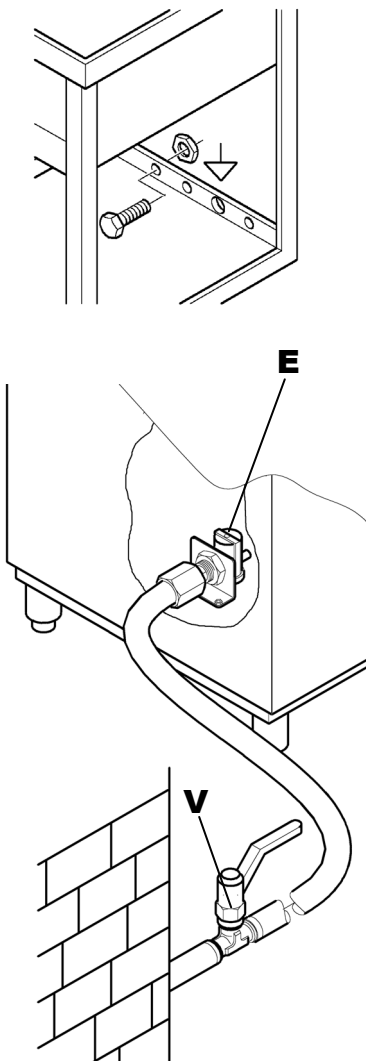
Antes de conectar el aparato, asegurarse que entre la red de alimentación hidráulica y el aparato se haya intercalado una válvula a compuerta para poder cortar la alimentación en caso de necesidad o reparación.

Mediante un tubo flexible conectar la electroválvula (E) de cargo a la válvula a compuerta (V), comprobando que la capacidad de alimentación no sea inferior a 20l/min.

**Asegurarse que la temperatura y presión del agua de la alimentación corresponda a lo referido en la placa de las características técnicas.**

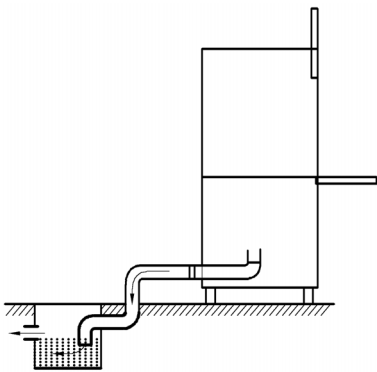
En el caso de que la dureza del agua fuese superior a la indicada en el cuadro, se aconseja instalar una descalcificadora arriba en la electroválvula de alimentación de la máquina.

En el caso de concentración muy elevada en el agua de residuos minerales de alta conducibilidad, aconsejamos una instalación de un desmineralizador tarado para obtener una dureza residua como en el cuadro.





	<b>Características</b>		<b>Desde</b>	<b>Hasta</b>
Dureza	Grados franceses	f	5	10
	Grados alemanes	°dH	4	7'5
	Grados ingleses	°e	5	9,5
	Partes de millón	ppm	70	140
Minerales residuos	Máximo	mg/l	300/400	



## 2.4 CONEXIÓN AL DESAGÜE

Teniendo en cuenta que el vaciado de la cuba se efectúa por gravedad, el desagüe debe estar situado en un nivel inferior al de la base de la máquina.

El tubo del desagüe debe conectarse mediante una tubería flexible a un sumidero o arqueta sifónica escabada en el suelo.

Las dimensiones del desagüe de la máquina se encuentran en el esquema de la instalación.



## 2.5 PROGRAMACIONES VARIAS

Acceder al "menú primario" programaciones técnicas.

Proceder como se describe (**Fig. 1**)

- Abrir la puerta
- Presionar contemporáneamente los pulsadores 2 y 3 (selección ciclo y start) durante 5 segundos
- Sucesivamente, presionando repetidamente el pulsador 1 (on /off máquina) se pueden seleccionar los ítems en el siguiente orden; es posible activar o cambiar parámetros con los pulsadores 2 y 3.
- Para salir y memorizar las nuevas programaciones es suficiente mantener presionado durante algunos segundos el pulsador 1.

**LANGUAGE:** Seleccionar el idioma deseado.

**THERMOSTOP:** Desactivación de la función termostop

**ENERGY SAVING:** Activación de la función Energy saving.

**PREHITING:** Activación calentamiento rápido máquina.

**DETERGENT PUMP:** Activación continua de la bomba detergente. Manteniendo presionado el pulsador 3 se puede cargar la bomba detergente. Se recomienda cargar el detergente hasta que el tubo de aspiración esté totalmente cargado.

**RINSE AID PUMP:** Activación continua de la bomba abrillantador. Manteniendo presionado el pulsador 3 se puede cargar la bomba abrillantador. Se recomienda cargar el abrillantador hasta que el tubo de aspiración esté totalmente cargado.

**DOSAGE TIME DURING WASHING:** En este ítem se puede regular el tiempo de activación de la bomba del detergente, es decir la concentración de detergente en la cuba. A través de los pulsadores 2 y 3 se aumenta o disminuye el tiempo de encendido.

**RINSE PRODUCT:** En este ítem se puede regular el tiempo de activación de la bomba del abrillantador, es decir, la cantidad usada. A través de los pulsadores 2 y 3 se aumenta o disminuye el tiempo de encendido.

**DRAIN PUMP:** equipo que no se puede instalar en esta máquina.

**WATER SOFTNER:** equipo que no se puede instalar en esta máquina.

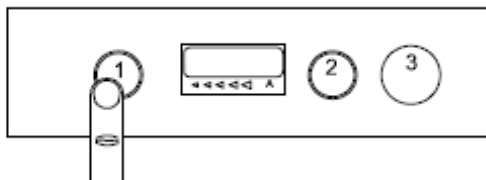
**EXTERNAL SOFTENER CYCLEIS:** Depurador exterior. En el caso que la instalación prevea un depurador exterior a la máquina, está previsto que se introduzca un número de lavados realizados, cuando supera este número, la máquina avisa con un mensaje que se debe realizar el mantenimiento.

**CYCLE COUNTER:** Número de los ciclos totales realizados por la máquina.

## 2.6 PROGRAMACIÓN TEMPERATURAS Y REGULACIONES DOSIFICADORES

### - Regulación temperaturas:

Manteniendo presionado el pulsador 1 durante algunos segundos aparecerá la inscripción "A BOILER SET TEMPERATUR", con los pulsadores 2 y 3 se puede aumentar o disminuir el set temperatura boiler.



Presionando varias veces el pulsador 1 aparecerá la inscripción "B TANK SET TEMPERATUR", regulación temperatura cuba, para los modelos dotados de ciclo para lavado cubiertos es posible regular la temperatura del ciclo cubiertos presionando nuevamente el pulsador 1 y visualizar C FLATWAIRE.

Siempre a través de los pulsadores 2 y 3 se puede variar la temperatura de lavado.

Para salir de esta condición, mantener presionado el pulsador 1.

Nota:

se recomienda apagar y encender nuevamente la máquina presionando varias veces el pulsador de línea 1.

### - Regulación dosificador detergente.

**Atención: el detergente debe ser de tipo industrial, líquido y de baja espuma.**

Acceder al “menú primario”, programaciones técnicas, como se describe en el cap. 2.5. Deslizar con el pulsador 1 hasta el ítem “DOSAGE TIME DURING WASHING”. El tiempo visualizado corresponde al tiempo de encendido del dosificador detergente durante la fase de lavado de un programa. Es posible variar este tiempo con los pulsadores 2 y 3, para salir de esta condición es suficiente mantener presionado el pulsador 1 hasta visualizar la línea de puntos. El tiempo programado se suma al tiempo de funcionamiento para la carga inicial. La bomba eléctrica detergente tiene un caudal de 3 Litros/hora.

Recordamos que la cantidad de detergente puede variar, de acuerdo a lo indicado en la etiqueta que tiene el envase, de 2 a 4 gr/L para aguas cuya dureza va de 5 – 10 °F (grados francwsi).

#### - **Regulación dosificador Abrillantador.**

Acceder al “menú primario”, programaciones técnicas, como se describe en el cap. 2.5. Deslizar con el pulsador 1 hasta el ítem RINSE AID PUMP. El tiempo visualizado corresponde al tiempo de encendido del dosificador abrillantador al final del programa de lavado. Es posible variar este tiempo con los pulsadores 2 y 3, para salir de esta condición es suficiente mantener presionado el pulsador 1 hasta visualizar la línea de puntos. El tiempo programado se suma al tiempo de funcionamiento para la carga inicial.

La bomba eléctrica detergente tiene un caudal de 0.4 Litros/hora. \_

## **CAP.3 RECOMENDACIONES DE SEGURIDAD**



### **3.1 RIESGOS RESIDUALES Y ADVERTENCIAS**

- No abrir nunca rápidamente la puerta de la máquina si no ha terminado el ciclo.
- No sumergir nunca las manos desnudas en la solución del lavado.
- No remover jamás los paneles del aparato sin antes desconectar la alimentación de arriba.
- El personal especializado que efectúa la instalación y la conexión eléctrica, está obligado a instruir correctamente a los usuarios sobre el funcionamiento del aparato y las medidas de seguridad a seguir.
- El instalador debe por lo tanto hacer demostraciones prácticas sobre la forma de utilización y dejar al usuario las instrucciones escritas adjuntas con el aparato.
- **Este aparato deberá utilizarse únicamente para el fin para el cual ha sido concebido. Cualquier otra utilización debe por lo tanto considerarse impropia y peligrosa.**
- La máquina no debe ser utilizada por el personal no cualificado.
- No utilizar nunca la máquina sin las protecciones (microinterruptores, paneles u otros) instaladas por el constructor.
- No utilizar nunca la máquina para lavar los objetos de tipo, forma, medidas o materiales no compatibles con los indicados por el constructor.
- La reparación eventual de la máquina la realizará solamente el constructor o un centro post-venta autorizado, utilizando exclusivamente repuestos originales.
- El incumplimiento de lo arriba mencionado puede comprometer la seguridad del aparato.
- La máquina no debe quedar bajo tensión cuando no se utiliza.
- No acercar objetos magnéticos a la máquina, podría activarse accidentalmente.

#### **ES IMPORTANTE SABER QUE:**

- **La máquina debe tener una perfecta conexión eléctrica a tierra, la cual debe ser controlada periódicamente.**

### **3.2 Estados normalidad servicio**

**Ambiental Temperatura : average 30°C)**

**Elevación : hasta que 2000 metrical**

**Relativo humedad : max 30% sobre max 90% sobre 20°C**

**Transporte y Almacenamiento : entre -10°C y 55°C con paz hasta que 70°C ( max 24h)**

### 3.3 ZONAS PELIGROSAS

Definición de las zonas de peligro, modos en que éste se manifiesta (véase fig. página siguiente) y descripción general de las medidas de protección adoptadas



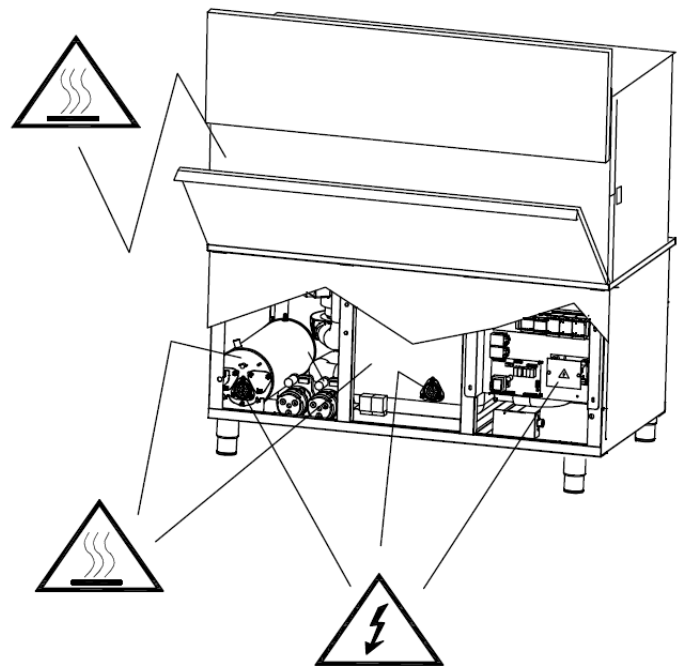
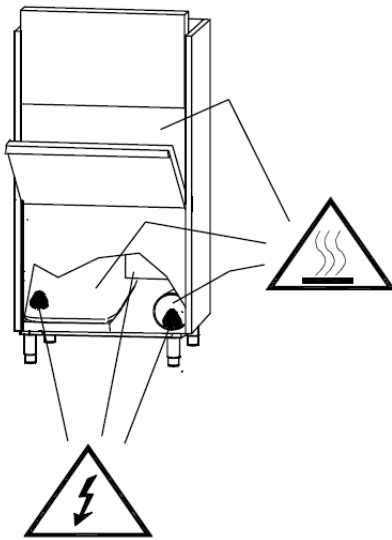
#### Tensión eléctrica peligrosa

- Tablero eléctrico general
- Bombas eléctricas
- Ventilador

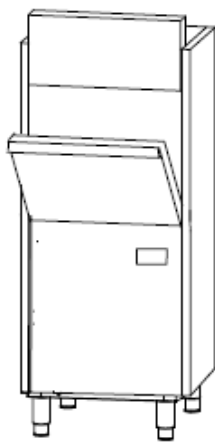


#### Peligro de naturaleza térmica

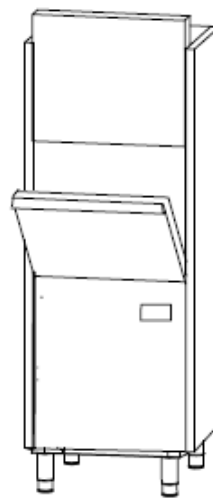
- Partes caliente



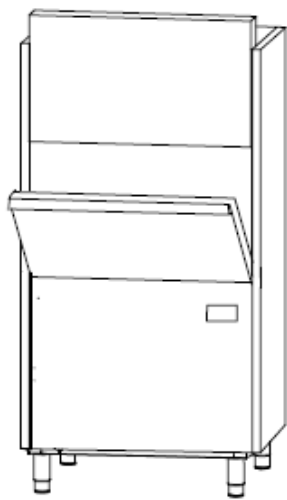
3.4 USTED PRESIONES ACUSTICAS PLANAS



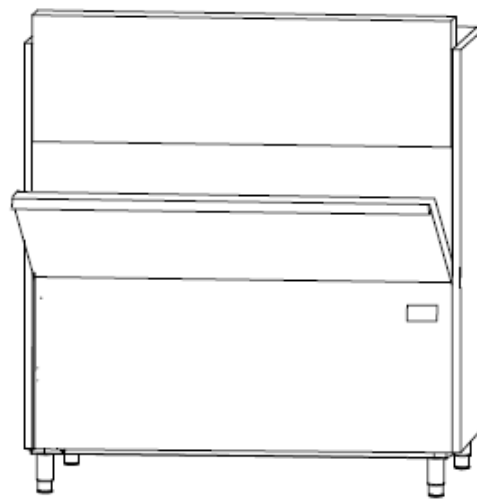
66 dB



66,8 dB



67,4 dB



74,3 dB

### 3.5 MENSAJES DE ERROR

#### **Qué hacer si el display muestra:**

##### ***ER 01 Falta aclarado***

Cuando en el display aparece este tipo de error significa que no se ha realizado correctamente el aclarado. Por lo tanto, se recomienda controlar que los rociadores de aclarado estén completamente libres, luego realizar nuevamente un programa de lavado, si el problema persiste, contactar un centro de asistencia técnica autorizado.

##### ***ER 02 Falta descarga***

Cuando el display muestra este mensaje significa que la cuba no se ha descargado correctamente.

Apagar y encender nuevamente la máquina, seleccionar el ciclo de descarga y:

- Controlar que durante el ciclo de descarga se quite el rebosadero de la descarga de la cuba (para las versiones con rebosadero). luego realizar nuevamente una descarga o ciclo autolimpiante, si el problema persiste, contactar un centro de asistencia técnica autorizado

##### ***ER 03 Falta calentamiento***

Cuando aparece este tipo de mensaje significa que el calentamiento boiler no se realiza correctamente. Apagar y encender la máquina, repetir el programa, si el problema persiste, contactar un centro de asistencia técnica autorizado.

##### ***Ruidos extraños durante el calentamiento.***

Resistencia con incrustaciones calcáreas o sales contenidas en aguas de gran conductibilidad, se recomienda sustituirla. Controlar el funcionamiento del depurador agua máquina.

##### ***ER 04 Falta carga cuba o rotura sensor nivel agua en la cuba.***

Cuando aparece este mensaje significa que se ha detectado un problema durante la carga. Se recomienda controlar que:

- Haya agua en la red.
- El rebosadero se encuentre correctamente introducido (para los modelos con rebosadero).
- El caudal y la presión de agua sean adecuados a la máquina en objeto.

Se recomienda apagar y encender la máquina sin vaciar la cuba, si el problema persiste contactar un centro de asistencia técnica autorizado.

##### ***ER 05; ER 06 Rotura sensor control temperatura cuba.***

Este mensaje aparece cuando la sonda que controla la temperatura de agua de lavado está rota.

Er 05: sensor abierto

Er 06: sensor en cortocircuito.

Se recomienda contactar un centro de asistencia técnica autorizado

##### ***ER 07; ER 08 Rotura sensor control temperatura boiler.***

Este mensaje aparece cuando la sonda que controla la temperatura de agua boiler está rota.

Er 07: sensor abierto

Er 08: sensor en cortocircuito.

Se recomienda contactar un centro de asistencia técnica autorizado

**ER 09 Falta carga boiler o rotura sensor nivel boiler.**

Este mensaje aparece cuando se detecta que el boiler no está correctamente cargado. Para evitar que las vajillas no sean aclaradas correctamente la máquina se bloquea.

- Controlar que el caudal y la presión hidráulica sean correctas.
- Se recomienda contactar un centro de asistencia técnica autorizado

**HIR b temperatura excesiva de aclarado.**

Este tipo de mensaje aparece cuando el sensor de temperatura boiler detecta una temperatura excesiva.

Es necesario bajar la temperatura de set boiler

- Recordamos que la intervención de las seguridades y señalizaciones de altas temperaturas también pueden ser provocadas por el hecho que la máquina está instalada a una altura superior a los 2000 m., en este caso se recomienda bajar todos los set de calentamiento porque el punto de ebullición del agua desciende.

**HIW T temperatura excesiva de lavado.**

Este tipo de mensaje aparece cuando el sensor de temperatura cuba detecta una temperatura excesiva.

Es necesario bajar la temperatura de set cuba

**SAFE Intervención termostatos de seguridad**

Se recomienda contactar un centro de asistencia técnica autorizado

**CAP.4 USO DE LA MÁQUINA****4.1 LEYENDA**

n referencia a la **Fig.1** hay:

<b>1</b>	<b>BOTÓN ON/OFF</b>	<b>4</b>	<b>PANTALLA DE INFORMACIÓN</b>
<b>2</b>	<b>BOTÓN SELECCIÓN DE PROGRAMAS</b>	<b>5</b>	<b>BARRA DE TIEMPO</b>
<b>3</b>	<b>BOTÓN START</b>		

**4.2 SELECCIÓN MANDOS**

1) Para encender la máquina presionar la tecla **1 (Fig. 1)**.

El pulsador **3** comienza a destellar, la máquina inicia la carga, posicionar correctamente el rebosadero, los filtros en la cuba y cerrar la puerta.

Realizada la carga, la máquina inicia automáticamente el calentamiento y contemporáneamente aspira la cantidad programada de detergentes.

2) La máquina estará lista para ser usada cuando el pulsador luminoso **3** permanezca encendido de color verde. (**Fig. 2**).

3) Seleccionar la duración del programa de lavado de acuerdo a la propia exigencia con el pulsador **2** (**Fig. 3**).

Es posible seleccionar de manera rotativa los programas de lavado de 2 a 12 minutos aproximadamente y además un programa de autolimpieza CLS.

El programa seleccionado quedará en la memoria para los sucesivos usos.

4) Abrir la puerta e introducir los objetos que se desean lavar dispuestos como se describe en el capítulo sucesivo "4.3 Disposición de las vajillas." Sucesivamente cerrar la puerta y comenzar con el lavado seleccionado a través del pulsador **3**. Durante el lavado el pulsador se ilumina de color azul claro.

5) Finalizado el lavado, la máquina emite tres "beep" sonoros y aparece la inscripción **fin** (**Fig. 5**). Abrir la puerta, extraer la cesta y esperar algunos segundos para que todos los objetos se sequen.

### 4.3 UTILIZACIÓN DE LA MAQUINA

Para reducir la manutención al mínimo, **SE RECOMIENDA LA LIMPIEZA PREVIA** de la vajilla. La remoción de restos de comida, cáscaras de limón, palillos, huesos de aceituna, etc., que podrían atascar parcialmente el filtro de la electrobomba, disminuyendo la eficacia del lavado, mejorará de manera considerable la calidad del resultado final.

**Es aconsejable lavar la vajilla antes que los restos de comida puedan secarse en su superficie. Caso de haber suciedad endurecida, será oportuno mojarla previamente, antes de introducir vajilla y cubiertos en el aparato.**

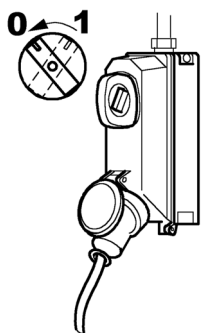
- Siguiendo las instrucciones del constructor, se introduzca la cantidad necesaria de detergente en el tanque de lavado
- El detergente tiene que ser de tipo industrial, de espuma frenada.
- No poner las manos desnudas en la lejía de lavado, se pongan las tazas y los vasos volcados en los canastillos. Insértense los platos en el canastillo al efecto, que está dotado de dedos de apoyo, con la superficie interior dirigida hacia arriba.
- Colóquense los cubiertos y las cucharillas de café con los mangos dirigidas hacia abajo.
- No se deben colocar cubiertos de plata y de acero inoxidable en el mismo canastillo portacubiertos. El resultado sería que la plata quedaría bruida y el acero inoxidable probablemente corroído.
- Empléense los canastillos específicos expresamente estudiados para las distintas clases de vajilla (platos, vasos, tazas, cubiertos, etc.). Para ahorrar detergente y energía eléctrica, lávense solamente



canastillos completos, pero sin sobrecargarlos. Evítese cualquier superposición de vajilla.

#### 4.4 OPERACIONES DE CONCLUSIÓN

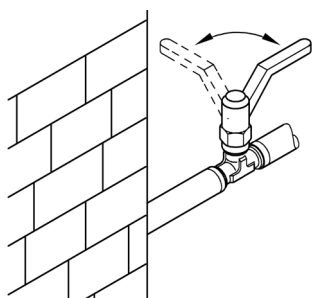
- Realizar un ciclo de auto-limpieza. Seleccionar con el pulsador **2 (fig. 6)** el programa “CLS” luego quitar los filtros, el rebosadero, cerrar la puerta y presionar el pulsador **3**.



- Una vez finalizada la descarga la máquina realiza dos ciclos de aclarado, al finalizar los mismos la máquina se apagará automáticamente.

- Desconectar el lavavajillas

- Abrir la puerta y extraer el cestillo con la vajilla limpia.

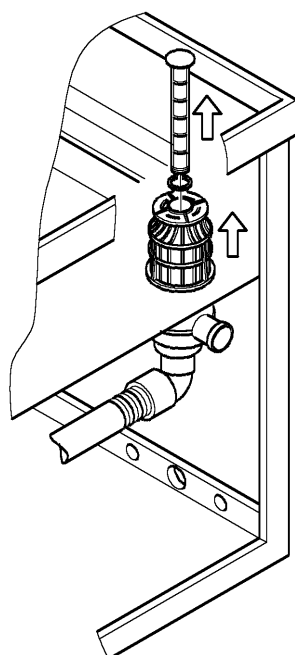


- Descargar el agua del depósito levantando el demasiodolleno. Para los modelos de bomba de descarga apoyarse en las operaciones descritas en el párrafo «Instrucciones de uso».

- Desconectar el interruptor general del aparato.

- Cerrar la válvula a cortina para la conexión hidráulica.

- Quitar los filtros y limpiarlos debajo de un chorro de agua con un cepillo de nylon.



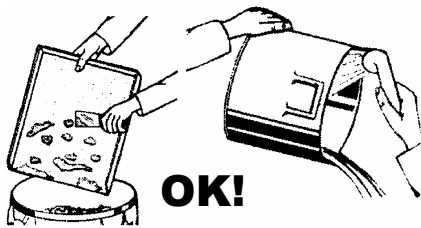
- Cuidar que no caigan dentro del depósito los restos de basura depositados en el fondo del filtro de la bomba de descarga. Aclarar el depósito con un chorro moderado de agua. Lavar las superficies externas cuando se enfíen con productos no abrasivos para la conservación del acero.

**NOTA:** No lavar el lavavajillas con chorros directos o a alta presión porque pueden dañar los componentes eléctricos al infiltrarse el agua, pudiendo perjudicar el buen funcionamiento del aparato y de los sistemas de seguridad, perdiendo así el derecho a la garantía.

#### 4.5 ACTIVACIÓN MEDIA CARGA SOLO PARA TT924

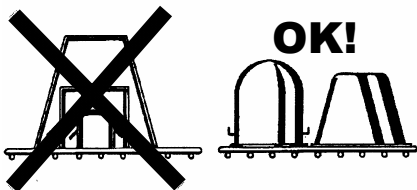
Se puede activar la función “media carga”, útil cuando se tienen pocos objetos para lavar, de esta manera se obtiene un ahorro de agua y detergentes.

- 1) Introducir las vajillas que se desean lavar, disponiéndolas en la parte derecha de la máquina, como indica la (Fig. 7).
- 2) Abrir la puerta y mantener presionado start 3 hasta que se ilumine el testigo M (Fig. 8)
- 3) Cerrar la puerta y activar el lavado como se describe en el capítulo anterior.
- 4) Durante el lavado aparece un símbolo en el display que indica que solo está funcionando la mitad de la máquina.



#### 4.6 VISUALIZACIÓN TEMPERATURAS

El display 9 (Fig. 1) muestra en todo momento la temperatura del aclarado, manteniendo presionado el pulsador 4 durante algunos segundos (Fig. 4) se puede visualizar la temperatura del lavado y sucesivamente el número total de lavados que ha realizado la máquina desde su fabricación.



### CAP.5 MANUTENCION

#### 5.1 NORMAS GENERALES

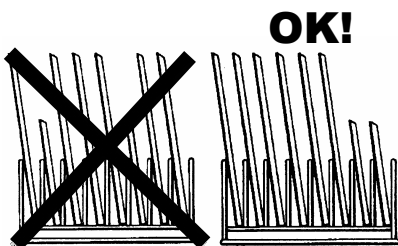
Las máquinas se han proyectado para reducir al mínimo las necesidades de manutención. Se tienen que respetar siempre las reglas que van a continuación para garantizar una mayor duración y un funcionamiento sin inconvenientes.

Además se tienen que respetar algunas reglas generales para mantener las máquinas en perfecto orden de marcha:

- mantener la máquina limpia y en orden
- evitar que las reparaciones provisionales o de urgencia lleguen a ser sistemáticas

La rigurosa observancia de las reglas de manutención periódica es extremadamente importante; hay que controlar regularmente todos los órganos de la máquina para evitar que se ocasionen eventuales averías, previendo de esta manera los tiempos y los medios necesarios para realizar eventuales operaciones de manutención.

**Antes de efectuar las operaciones de limpieza desconectar el aparato de la alimentación eléctrica.**



## 5.2 MANUTENCIÓN PERIÓDICA (hay que efectuarla como mínimo cada 20 días)

Para facilitar las operaciones siguientes se puede quitar el armazón apoyacestos.

Desmontar los brazos del aclarado superior e inferior, desenroscando el seguro que lo fija.

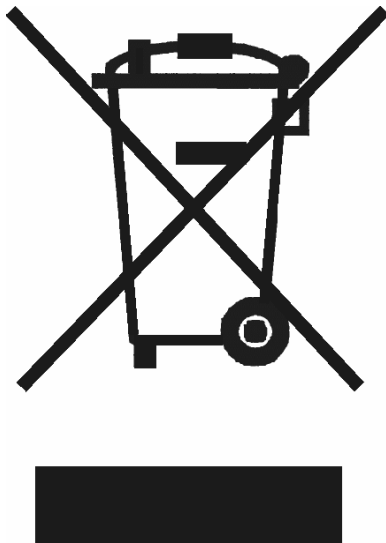
Desatornillense y límpiense todos los rociadores y se vuelvan a montar en su sitio.

- Desmontar los brazos del lavado superior e inferior desenroscando el perno del aclarado limpiarlos y aclararlos.
- Quítese el filtro de la bomba de lavado, límpiense y enjuáguese.
- A continuación, límpiense con mucha atención el tanque de lavado.
- Déjese abierta la tapa del aparato durante todo el tiempo de descanso.
- Como consecuencia de las sales de calcio y de magnesio existentes en el agua, después de cierto periodo de funcionamiento, que varía según el grado de dureza del agua, en las superficies interiores del tanque, del calentador de agua y de las tuberías se forma una incrustación de cal que puede perjudicar el buen funcionamiento del aparato.
- Por lo tanto se tendrá que desprender periódicamente las incrustaciones, un trabajo que se aconseja de confiar a personal técnicamente calificado.
- Caso de que el aparato tuviera que quedar parado durante largo tiempo, hay que lubricar las superficies de acero con aceite de vaselina.
- Caso de haber peligro de formación de hielo, hágase además vaciar, por personal técnicamente calificado, el agua del calentador y de la bomba de lavado.
- **En caso de funcionamiento anómalo o de averías, hay que dirigirse única y exclusivamente a un centro de asistencia técnica autorizado por el constructor del aparato o por su Concesionario.**



**CAP.6 DESARME****6.1 DESARME DE LA MÁQUINA**

Nuestras máquinas se construyen con materiales que no requieren especiales procedimientos para su eliminación.

**6.2 ELIMINACIÓN CORRECTA DE ESTE PRODUCTO**  
**(material eléctrico y electrónico de descarte)**

(Aplicable en la Unión Europea y en países con sistemas de recogida selectiva de residuos)

La presencia de esta marca en el producto o en el material informativo que lo acompaña, indica que al finalizar su vida útil no deberá eliminarse junto con otros residuos domésticos. Para evitar los posibles daños al medio ambiente o a la salud humana que representa la eliminación incontrolada de residuos, separe este producto de otros tipos de residuos y reciclelo correctamente para promover la reutilización sostenible de recursos materiales.

Los usuarios particulares pueden contactar con el establecimiento donde adquirieron el producto, o con las autoridades locales pertinentes, para informarse sobre cómo y dónde pueden llevarlo para que sea sometido a un reciclaje ecológico y seguro.

Los usuarios comerciales pueden contactar con su proveedor y consultar las condiciones del contrato de compra. Este producto no debe eliminarse mezclado con otros residuos comerciales

**SUMÁRIO**

<b>CAP.1</b>	<b>PREFACÇÃO</b> .....	<b>3</b>
<b>CAP.2</b>	<b>INSTALAÇÃO</b> .....	<b>3</b>
2.1	MOVIMENTAÇÃO E DESEMBALAGEM .....	3
2.2	LIGAÇÃO ELÉTRICA.....	4
2.3	LIGAÇÃO HIDRAULICA.....	4
2.4	CONEXÃO À REDE DE DESCARGA .....	5
2.5	PROGRAMAÇÕES VÁRIAS.....	5
2.6	PROGRAMAÇÃO DAS TEMPERATURAS E REGULAÇÃO DOS DOSEADORES .....	6
<b>CAP.3</b>	<b>RECOMENDAÇÕES DE SEGURANÇA</b> .....	<b>7</b>
3.1	RISCOS E INDICAÇÕES.....	7
3.2	CONDIÇÕES NORMALIDADE SERVIÇO.....	7
3.3	ZONAS PERIGOSAS .....	8
3.4	PRESSÕES ACÚSTICAS PLANAS.....	9
3.5	MENSAGENS DE ERRO.....	10
<b>CAP.4</b>	<b>UTILIZAÇÃO DA MÁQUINA</b> .....	<b>11</b>
4.1	LEGENDA.....	11
4.2	SELECÇÃO DOS COMANDOS.....	11
4.3	USO DA MÁQUINA.....	12
4.4	OPERAÇÕES DE FIM SERVIÇO .....	13
4.5	ACTIVAÇÃO DA MEIA CARGA APENAS PARA TT924 .....	14
4.6	VISUALIZAÇÃO DAS TEMPERATURAS .....	14
<b>CAP.5</b>	<b>MANUTENÇÃO</b> .....	<b>14</b>
5.1	REGRAS GERAIS .....	14
<b>CAP.6</b>	<b>DESMANTELAMENTO</b> .....	<b>15</b>
6.1	DESMANTELAMENTO DA MÁQUINA.....	15
6.2	ELIMINIÇÃO CORRECTA DESTE PRODUCO.....	16

---

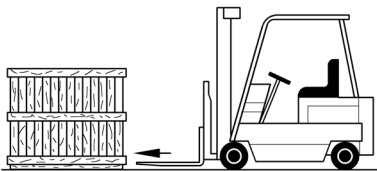


## CAP.1 PREFACÇÃO

As advertências neste manual fornecem importantes indicações acerca da segurança da instalação, o uso e a manutenção. Aconselha-se ler atentamente estas recomendações antes de ligar a máquina e a observá-las cuidadosamente; Guarde com cuidado este manual para qualquer ulterior consultação dos operadores.

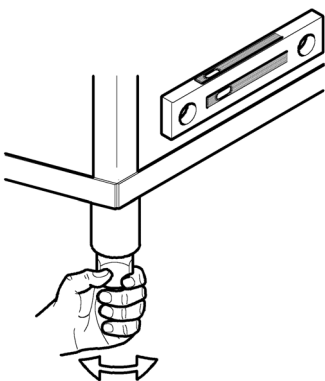
## CAP.2 INSTALAÇÃO

### 2.1 MOVIMENTAÇÃO E DESEMBALAGEM

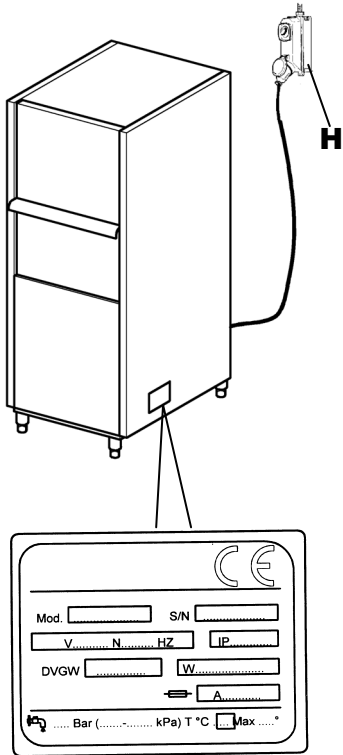


- Movimente as máquinas com muito cuidado por meio dum carro elevador.
- Verificar a integridade do aparelho. Caso houver estragos visíveis, informar imediatamente o vendedor e o transportador que efetuou o transporte. Em caso de dúvida, recomenda-se não utilizar o aparelho até que o mesmo não for controlado por pessoal especializado.
- Transportar a máquina para o local previsto para a sua instalação, retirando a embalagem.


**Os elementos da embalagem (saquinhos de plástico, espuma de poliestireno, pregos, etc.) não devem ser deixados ao alcance das crianças por constituírem fonte de potencial perigo.**



- A instalação deve ser efectuada de acordo com as instruções do construtor e por pessoal profissionalmente qualificado.
- Este aparelho foi projetado para funcionar somente com uma ligação fixa.
- Atarraxe nos suportes da máquina os pés e colocá-la na correcta posição e nivelá-la atarraxando ou desatarraxando os pés.
- A pavimentação deve levar em conta o peso global da máquina
- Seguindo as indicações enunciadas no esquema dimensional da máquina, preparar, no local de lavagem, as instalações de alimentação eléctrica, de abastecimento hídrico e esvaziamento.



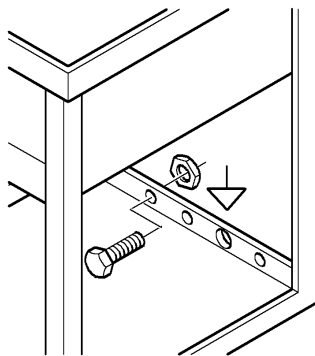
## 2.2 LIGAÇÃO ELETRICA

1. A conexão à rede deve ser efectuada por meio dum interruptor geral (H) deve ser do tipo omipolar, que interrompe todos os contatos inclusive o neutro, com a distância entre os contatos abertos de pelo 3mm, com disparo do disjuntor termomagnético de segurança ou acoplado com fusíveis e capaz de suportar a corrente como indicadas na placa da máquina.
2. Antes de juntar o aparelho certifique-se de que tensão e frequência estejam correspondentes aos indicados na placa das características da máquina.
3. Antes de juntar a máquina com rede eléctrica certifique-se que não esteja tensão na linha de alimentação.
4. E rigorosamente proibido o uso de adaptadores, tomadas multiplas e extensoes.
5. Além disso a aparelhagem deve ser incluída num sistema equipotencial, cuja conexão se realiza por meio dum parafuso marcado pelo símbolo . O conductor equipotencial deve ter uma secção de 10 mm<sup>2</sup>.



O cabo de alimentação pode ser substituído somente por um outro de igual secção do género H07RN-F.

Para qualquer esclarecimento consulte a planimetria geral de instalação fornecida à parte.



## 2.3 LIGAÇÃO HIDRAULICA

Predispor o local de acordo com o esquema hidráulico em anexo

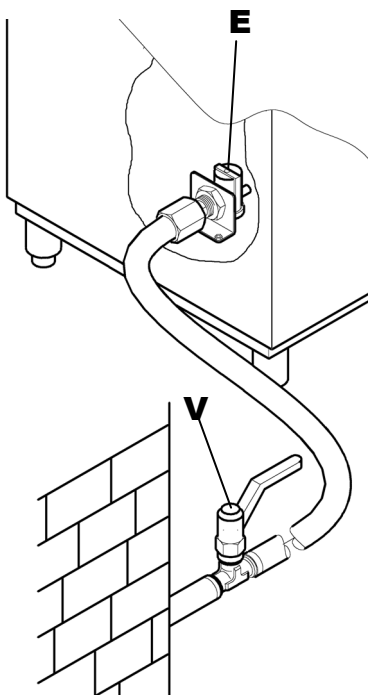
Antes de ligar o aparelho, controlar se entre a rede de alimentação hídrica e o aparelho foi interposta uma válvula de comporta que possibilite interromper a alimentação, se for preciso ou se houver a necessidade de consertos.

Por meio de um tubo flexível, ligar a electroválvula (E) de alimentação a torneira de alimentação (V). A capacidade da tubagem de alimentação da máquina não deverá ser inferior a 20 litros por minuto.

**Verificar se a temperatura da água de alimentação corresponde à recomendada na plaqueta das características.**

Caso a dureza da água resulte superior a de como tabela, aconselhamos a instalação de um descalcificador a juzante da válvula eléctrica de alimentação da máquina.

No caso de concentrações muito elevadas de minerais resíduos na água, ou de condutibilidades elevadas, aconselhamos a instalação de um equipamento de desmineralização ajustado para ter uma dureza resídua de como tabela.



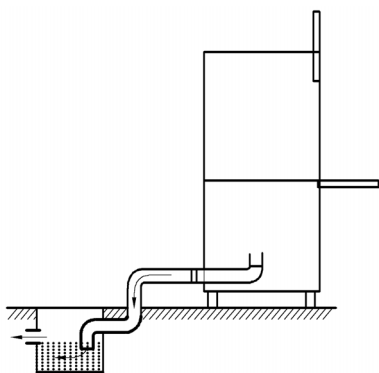


	Características		Da	A
Dureza	Graus franceses	f	5	10
	Graus alemães	°dH	4	7'5
	Graus ingleses	°e	5	9,5
	Pound/ Squ. Inch	ppm	70	140
Minerais resíduos	Máximo	mg/l	300/400	



## 2.4

### CONEXÃO À REDE DE DESCARGA



Sendo que o esvaziamento do tanque se dá pela gravidade, a descarga deve estar situada a um nível inferior em relação à base da máquina.

A cavilha de descarga deve ser ligada, por meio de um tubo flexível a um recipiente de recolha ou saída com sifão cavada no chão.

Pela posição dos descargos consulte a planimetria geral de instalação fornecida à parte.

## 2.5 PROGRAMAÇÕES VÁRIAS

Entrar no “menu primário” programações técnicas.

Actuar como o descrito ( **fig. 1** )

- Abrir a porta ou o capot.
- Premir simultaneamente os botões 2 e 3 (selecção do ciclo e start) por 5 segundos.
- Em seguida premendo repetidamente o botão 1 (on /off máquina) é possível seleccionar os itens na seguinte ordem; é possível activar ou mudar parâmetros através dos botões 2 e 3.
- Para sair e memorizar as novas programações é suficiente manter premido por alguns segundos o botão 1.

**LANGUAGE:** Seleccionar a língua desejada. **THERMOSTOP:**

Desactivação da função termostop. **ENERGY SAVING:**

Activação da função Energy saving. **PREHITING:** Activação do

aquecimento rápido da máquina.

**DETERGENT PUMP:** Activação contínua da bomba do detergente. Mantendo premido o botão 3 é possível carregar a bomba do detergente. Aconselha-se carregar o detergente até que o tubo de aspiração esteja completamente carregado.

**RINSE AID PUMP:** Activação contínua da bomba do abrillantador. Mantendo premido o botão 3 é possível carregar a bomba do abrillantador. Aconselha-se carregar o abrillantador até que o tubo de aspiração esteja completamente carregado.

**DOSAGE TIME DURING WASHING:** Neste item é possível regular o tempo de activação da bomba do detergente e também a concentração de detergente no tanque. Através dos botões 2 e 3 pode-se aumentar ou diminuir o tempo de acendimento.

**RINSE PRODUCT:** Neste item é possível regular o tempo de activação da bomba do abrilhantador e também a quantidade utilizada. Através dos botões 2 e 3 pode-se aumentar ou diminuir o tempo de acendimento.

**DRAIN PUMP:** aparelho não instalável nesta máquina.

**WATER SOFTNER:** aparelho não instalável nesta máquina.

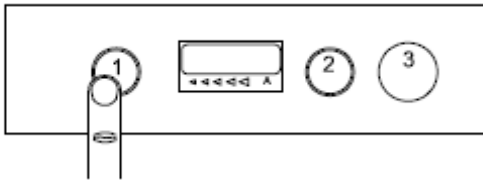
**EXTERNAL SOFTENER CYCLEIS:** Depurador externo. Caso a instalação preveja um depurador externo à máquina é previsto que se introduza um número de lavagens efectuadas além do qual a máquina avisa com uma mensagem de efectuar a manutenção.

**CYCLE COUNTER:** Número dos ciclos totais efectuados pela máquina.

## 2.6 PROGRAMAÇÃO DAS TEMPERATURAS E REGULAÇÃO DOS DOSEADORES

### - Regulação das temperaturas:

Mantendo premido o botão 1 por alguns segundos aparecerá a escrita “ A BOILER SET TEMPERATUR” com os botões 2 e 3 é possível aumentar ou diminuir a temperatura programada do boiler.



Premendo mais vezes o botão 1 aparecerá a escrita “B TANK SET TEMPERATUR” regulação da temperatura do tanque, para os modelos equipados com ciclo para lavagem de talheres é possível regular a temperatura do ciclo talheres premendo novamente o botão 1 e visualizar C FLATWAIRE.

Sempre através dos botões 2 e 3 é possível variar a temperatura de lavagem.

Para sair desta condição, manter premido o botão 1.

Obs :

aconselha-se desligar e acender a máquina premendo mais vezes o botão de linha 1.

### - Regulação dos doseadores do detergente.

**Atenção: o detergente ser do tipo industrial, líquido que não faça muita espuma.**

Entrar no “menu primário” programações técnicas como o descrito no cap 2.5 Fazer passar através do botão 1 até o item “DOSAGE TIME DURING WASHING” O tempo visualizado corresponde ao tempo de acendimento do doseador do detergente durante a fase de lavagem de um programa. É possível variar este tempo através dos botões 2 e 3, para sair desta situação é suficiente manter premido o botão 1 até visualizar os traços. O tempo programado é somado ao tempo de funcionamento para o carregamento inicial.

A electrobomba do detergente tem uma vazão de 3 Litros/hora.

Lembramos que a quantidade de detergente pode variar conforme o quanto indicado na placa no depósito de 2 a 4 gr/L para águas cuja dureza está entre 5 – 10 °F (graus francwsi).

#### - **Regulação dos doseadores do Abrilhantador.**

Entrar no “menu primário” programações técnicas como o descrito no cap 2.5 Fazer passar através do botão 1 até o item RINSE AID PUNP. O tempo visualizado corresponde ao tempo de acendimento do doseador do abrilhantador ao final do programa de lavagem. É possível variar este tempo através dos botões 2 e 3, para sair desta situação é suficiente manter premido o botão 1 até visualizar os traços. O tempo programado é somado ao tempo de funcionamento para o carregamento inicial.

A electrobomba do detergente tem uma vazão de 0.4 Litros/hora

## **CAP.3 RECOMENDAÇÕES DE SEGURANÇA**



### **3.1 RISCOS E INDICAÇÕES**

- Nunca abra a porta rapidamente se ainda não tiver terminado o ciclo.
- Não mergulhe as mãos na solução de lavagem.
- Nunca tire os painéis máquina se a electricidade não estar excluída.
- O pessoal que efetua a instalação e a ligação elétrica deve instruir adequadamente os utilizadores sobre o funcionamento da instalação e nas medidas de segurança que deve ser seguida.
- O instalador deve dar também demonstrações práticas sobre o modo de utilização e certificar-se de que estejam em seu possesso as instruções anexadas na máquina.
- **Este aparelho é apenas para a utilização para qual foi construído. Qualquer outra utilização deve ser julgada inadequata e por isso perigosa.**
- A máquina não deve ser utilizada por operadores não qualificados.
- Não utilize **NUNCA** a máquina sem proteções (microcontatos painéis ou outros) predispostas pelo constructor se não for na presença de um técnico qualificado que tome as devidas precauções do caso.
- Não utilize **NUNCA** a máquina para lavar objetos de tipo, forma, medida, ou material incompatíveis com quanto indicado pelo construtor.
- A eventual reparação deve ser efectuada somente da firma produtora ou dum Centro de Assistência autorizado utilizando somente peças originais.
- Não respeitar quanto supradito pode alterar a segurança do aparelho.
- A máquina deve ficar desligada quando não estar utilizada.
- Não aproximar objectos magnéticos à máquina, poderá arrancar inadvertidamente.

#### **É IMPORTANTE SABER QUE:**

- **A máquina deve possuir uma perfeita ligação eléctrica à terra que deve ser periodicamente controlada e verificada.**

### **3.2 CONDIÇÕES NORMALIDADE SERVIÇO**

Temperatura ambiente	: 40°Cmax 4°Cmin ( média 30°C)
Altitude	: até 2000 metrical
Relativo humidade	: Max 30% em 40°C Max 90% em 20°C
Transporte e Armazenamento	: entre -10°C e 55°C com paz até 70°C ( max 24 h )

### 3.3 ZONAS PERIGOSAS

Definição das zonas perigosas e modalidades (veja a figura na página seguinte) de manifestação do perigo, e descrição geral das medidas de protecção adoptadas



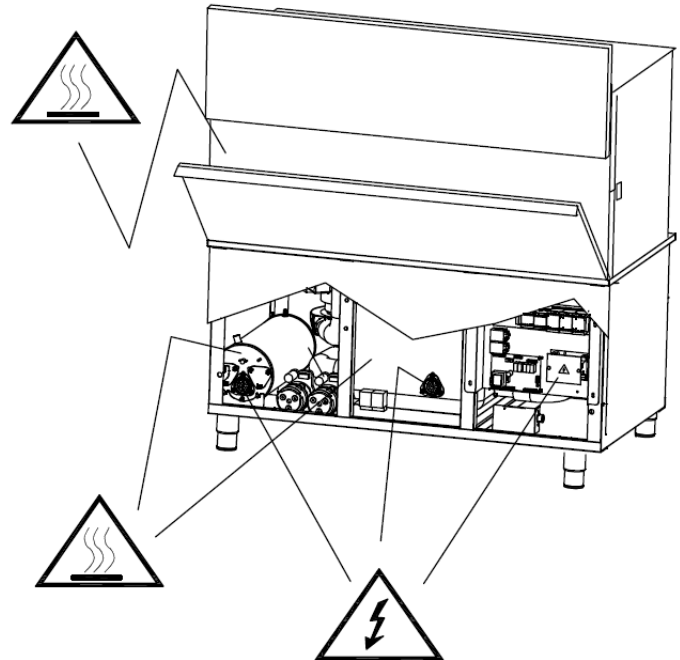
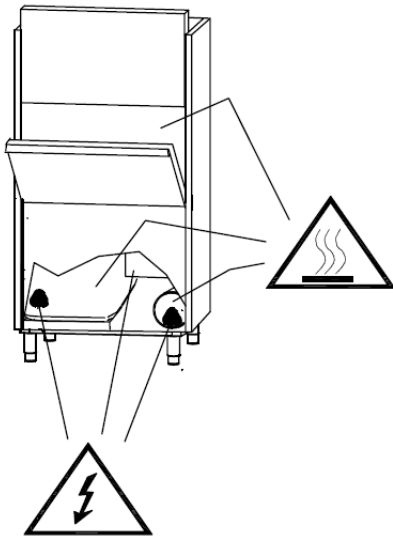
#### **Tensão eléctrica perigosa.**

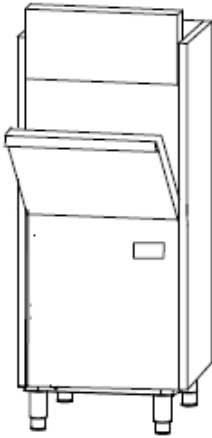
- Quadro eléctrico geral
- Electrobombas
- Ventilador



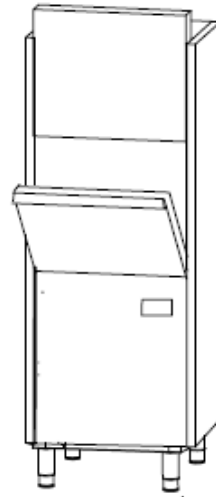
#### **Pericolo di natura termica**

- Partes quentes

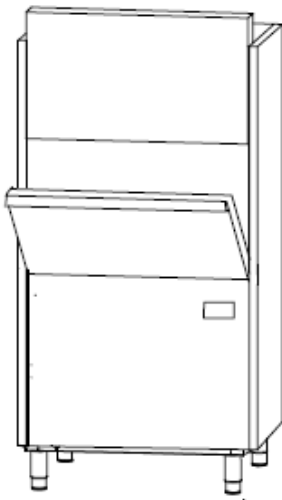


**3.4 PRESSÕES ACÚSTICAS PLANAS**

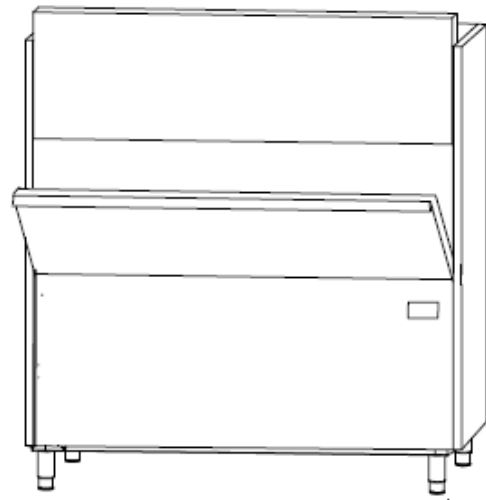
66 dB



66,8 dB



67,4 dB



74,3 dB

### 3.5 MENSAGENS DE ERRO

#### **O que fazer se o display mostra:**

##### ***ER 01 Enxagúe insuficiente***

Quando no display aparece este tipo de erro significa que o enxagúe não foi efectuado correctamente. Portanto aconselha-se controlar que os pulverizadores de enxagúe estejam completamente livres, em seguida efectuar novamente um programa de lavagem, se o problema persistir contactar um centro de assistência técnica autorizada.

##### ***ER 02 Descarga insuficiente***

Quando o display mostra esta mensagem significa que o tanque não foi descarregado correctamente.

Desligar e reacender a máquina, seleccionar o ciclo de descarga e :

- Controlar que durante o ciclo de descarga seja retirado o tubo de extravasamento da descarga do tanque ( para as versões com tubo de extravasamento). Em seguida efectuar novamente uma descarga ou ciclo auto-limpante, se o problema persistir contactar um centro de assistência técnica autorizada.

##### ***ER 03 Aquecimento insuficiente***

Quando aparece este tipo de mensagem significa que o aquecimento do boiler não acontece correctamente. Desligar e acender a máquina, repetir o programa definido, se o problema persistir contactar um centro de assistência técnica autorizada.

##### ***Estranhos ruídos durante o aquecimento.***

Resistência completamente encrostada de calcário ou sais contidos em águas com alta condutibilidade, aconselha-se a sua substituição. Por favor controlar o funcionamento do depurador de água da máquina.

##### ***ER 04 Carregamento do tanque insuficiente ou ruptura do sensor do nível de água no tanque.***

Quando aparece esta mensagem significa que houve um problema durante o carregamento. Aconselha-se controlar que :

- Haja água na rede.
- O tubo de extravasamento esteja correctamente inserido ( para os modelos com tubo de extravasamento).
- A vazão e pressão da água sejam idóneas à máquina mencionada.

Aconselha-se desligar e acender a máquina sem esvaziar o tanque, se o problema persistir contactar um centro de assistência técnica autorizada.

##### ***ER 05 ; ER 06 Ruptura do sensor de controlo da temperatura do tanque.***

Esta mensagem aparece quando a sonda que controla a temperatura da água de lavagem está quebrada.

Er 05: sensor aberto

Er 06: sensor em curto-circuito.

Aconselha-se contactar um centro de assistência técnica autorizada.

---

**ER 07 ; ER 08 Ruptura do sensor de controlo da temperatura do boiler.**

Esta mensagem aparece quando a sonda que controla a temperatura da água do boiler está quebrada.

Er 07: sensor aberto

Er 08: sensor em curto-circuito.

Aconselha-se contactar um centro de assistência técnica autorizada.

**ER 09 Carregamento do boiler insuficiente ou ruptura do sensor de nível do boiler.**

Esta mensagem aparece quando se verifica que o boiler não foi correctamente carregado. Para evitar que as louças não sejam regularmente enxaguadas a máquina se bloqueia.

-Verificar que a vazão e pressão hidráulica estejam correctas.

Aconselha-se contactar um centro de assistência técnica autorizada.

**HIR b temperatura excessiva de enxagúe.**

Este tipo de mensagem aparece quando o sensor da temperatura do boiler detecta uma temperatura excessiva.

É necessário abaixar a temperatura programada do boiler.

Lembramos que a intervenção de seguranças e sinalizações de altas temperaturas também podem ser provocadas pelo facto que a própria máquina é instalada a uma altitude superior a 2000 mt, neste caso aconselha-se abaixar cada programação de aquecimento na medida que o ponto de ebulição da água se abaixa.

**HIW T temperatura excessiva de lavagem.**

Este tipo de mensagem aparece quando o sensor da temperatura do tanque detecta uma temperatura excessiva.

É necessário abaixar a temperatura programada do tanque.

**SAFE Intervenção dos termóstatos de segurança**

Aconselha-se contactar um centro de assistência técnica autorizada

**CAP.4 UTILIZAÇÃO DA MÁQUINA****4.1 LEGENDA**

Com referência à **Fig.1** há:

<b>1</b>	<b>BOTÃO ON/OFF</b>	<b>4</b>	<b>ECRÃ INFORMAÇÕES</b>
<b>2</b>	<b>BOTÃO SELECÇÃO PROGRAMAS</b>	<b>5</b>	<b>BARRA TEMPORAL</b>
<b>3</b>	<b>BOTÃO START</b>		

**4.2 SELECÇÃO DOS COMANDOS**

1 ) Para acender a máquina premir o botão **1 ( Fig1)**.

O botão **3** inicia a lampejar, a máquina inicia o carregamento, lembrar-se de inserir correctamente o tubo de extravasamento, os filtros no tanque e fechar a porta.

Efectuado o carregamento a máquina inicia automaticamente o aquecimento e simultaneamente aspira a quantidade de detergente programada.

2) A máquina estará pronta para ser utilizada quando o botão luminoso **3** se acenderá com a cor verde. ( **Fig2**).

3) Seleccionar a duração do programa de lavagem conforme a própria exigência através do botão **2** ( **Fig3**).

É possível seleccionar por rotação programas de lavagem de 2 a 12 minutos aproximadamente e ainda um programa de auto-limpeza CLS.

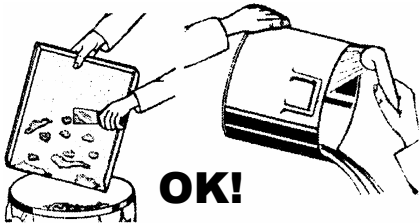
O programa escolhido permanecerá na memória para as próximas utilizações.

4) Abrir a porta e introduzir os objectos a lavar dispostos como descrito no capítulo seguinte "4.3 Disposição das louças." Em seguida fechar a porta e iniciar a lavagem seleccionada através do botão **3**. Durante a lavagem o botão se ilumina de azul.

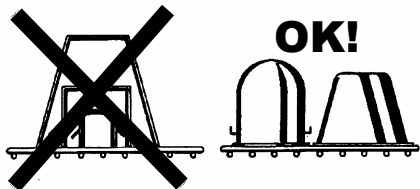
5) Terminada a lavagem a máquina emite três beeps sonoros e aparece a escrita **fim** ( **Fig5**).. Abrir a porta, extrair o cesto e esperar alguns segundos para que todos os objectos sequem regularmente

### 4.3 USO DA MÁQUINA

Com o objetivo de reduzir ao mínimo a manutenção, **RECOMENDAMOS UMA LIMPEZA PREVIA** de louças e talheres. A eliminação dos restos de comida, cascas de limão, palitos, caroços de azeitona, etc., que poderiam obstruir parcialmente o filtro da eletrobomba, reduzindo a eficácia da lavagem, melhorará de maneira substancial a qualidade do resultado final.



E aconselhável lavar louças e talheres antes que os restos de comida possam secar sobre as suas superfícies. No caso de sujeira endurecida, será conveniente deixar louças e talheres de molho antes de introduzi-los na máquina.



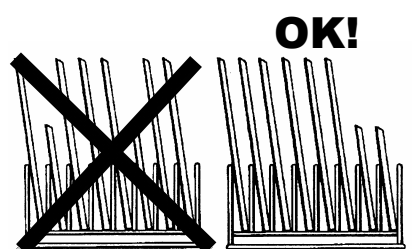
- De acordo com as instruções do fabricante, introduzir a quantidade prevista de detergente no tanque de lavagem.

- detergente deve ser de tipo industrial, de espuma freada.

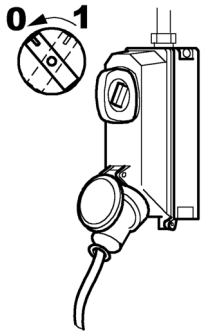
- Não mergulhar as mãos nuas na água de lavagem, posicionar as xícaras e os copos virados de cabeça para baixo nas cestas. Inserir os pratos na cesta própria equipada com dedos de suporte com a superfície interna virada para cima.

- Colocar os talheres e as colherinhas de café com os cabos virados para baixo.

- Utilizar as cestas especificamente criadas para os diversos tipos de louças (pratos, copo, xícaras, talheres, etc.) Para economizar detergente e energia eléctrica, lavar somente cestas completas, sem contudo sobrecarregá-las. Evitar toda sobreposição de louças e talheres.

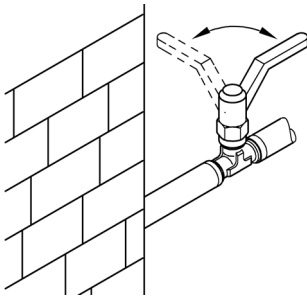






#### 4.4 OPERAÇÕES DE FIM SERVIÇO

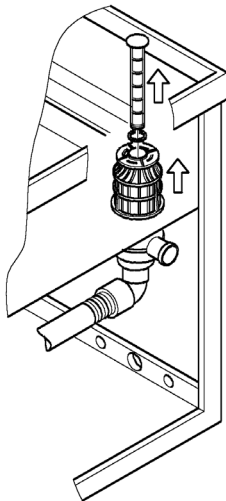
- Efectuar um ciclo de auto-limpeza.
- Seleccionar através do botão **2 (fig 6)** o programa “CLS” em seguida retirar os filtros, retirar o tubo de extravasamento, fechar a porta e premir o botão **3**.
- Terminada a descarga a máquina efectua dois ciclos de enxagúe, ao final dos quais a máquina apaga automaticamente.
- Desligue a máquina
- Abra a porta e extraia o cesto com a louça limpa.



- Descarregue a água do tanque levantando o demasiado-cheio. No modelo com bomba de descarga, respeite as operações descritas no parágrafo «Instruções de uso».

- Desligue o interruptor geral a montante da aparelhagem  
Feche a válvula de comporta da conexão hidráulica.

- Tire os filtros e limpe-os com uma escovinha de nylon sob um jacto de água.



- Não deixe cair no interior do tanque os sobras de sujo depositados no fundo do filtro bomba descarga. Limpe o tanque com pressão moderada de água. Limpe as paredes exteriores quando estão frias, com produtos não abrasivos feitos expressamente para a manutenção do aço.

**NOTA:** Não limpe o aparelho com jactos directos de água ou com alta pressão, como eventuais infiltrações nos elementos eléctricos podem comprometer o regular funcionamento do aparelho e de cada dispositivo de segurança, com decadência da garantia.

#### 4.5 ACTIVAÇÃO DA MEIA CARGA APENAS PARA TT924

É possível activar a função “meia carga”, útil quando existem poucos objectos a lavar, obtém-se assim uma economia de energia, de água e de detergentes.

- 1) introduzir as louças a lavar colocando-as na parte direita da máquina, como o indicado na ( **Fig7** ).
- 2) Abrir a porta e manter premido o botão de start **3** até que o indicador **M** ( **Fig 8** ) se ilumine.
- 3) Fechar a porta e activar a lavagem como o descrito no capítulo precedente.
- 4) Durante a lavagem aparece um símbolo no display que indica que está em função apenas metade da máquina.

#### 4.6 VISUALIZAÇÃO DAS TEMPERATURAS

O display 9 ( **Fig1** ) mostra a todo o momento a temperatura do enxágue, mantendo premido o botão **4** por alguns segundos ( **Fig4** ) é possível visualizar a temperatura da lavagem e em seguida o número de lavagens efectuadas ao longo da vida útil da máquina.

### CAP.5 MANUTENÇÃO

#### 5.1 REGRAS GERAIS

A máquinas são projectadas para reduzir ao mínimo as exigências de manutenção. As seguintes regras devem ser respeitadas minuciosamente para garantir uma longa duração e um funcionamento sem danos.

De qualquer maneira devem ser respeitadas as seguintes regras gerais para manter a máquina em perfeito ordem:

- a máquina deve estar limpa e em ordem
- as reparações urgentes ou provisórias não devem tornar-se habituais

É muito importante o respeito das regras de manutenção periódica: todos os órgãos da máquina devem ser periodicamente controlados para evitar eventuais anomalias, antecipando assim os tempos e os meios necessários para a eventual intervenção de manutenção.

**Antes de efectuar as operações de limpeza, desligue a alimentação eléctrica da máquina.**

## 5.2 MANUTENÇÃO PERIODICA (deve ser feita no mínimo cada 20 dias)

Para facilitar as seguintes operações, tire do seu lugar o tear portacestos.

- Desmonte os braços de enxaguadura superior e inferior, desatarraxando o fecho de fixação.
- Desatarraxar e limpar todos os borrifadores e tornar a montá-los no seu devido lugar.
- Desmonte os braços de lavagem superior e inferior, desatarraxando o perno de enxaguadura limpe-os e enxague-os.
- Tirar o filtro da bomba de lavagem. Limpá-lo e enxaguá-lo.
- Limpar, agora, com muito esmero o tanque de lavagem.
- Deixar a capota do aparelho aberta durante todo o período de descanso.
- Devido aos sais de cálcio e de magnésio presentes na água, depois de certo período de funcionamento, que varia em função da dureza da água, sobre as superfícies internas do tanque do aquecedor e dos tubos forma-se uma incrustação calcária que pode prejudicar o bom funcionamento do aparelho.
- Torna-se, portanto, indispensável a desincrustação periódica dessas peças, a ser executada por pessoal tecnicamente qualificado.
- Caso o aparelho tenha que ficar parado por longo período, lubrificar as superfícies de aço com óleo de vaselina ..
- Caso houver o risco de formação de gelo, fazer descarregar a água do aquecedor e da bomba de lavagem por pessoal qualificado.
- **No caso de mau funcionamento ou de defeitos, dirigir-se exclusivamente a um centro de assistência técnica autorizado pelo construtor do aparelho ou pelo seu concessionário.**



## CAP.6 DESMANTELAMENTO

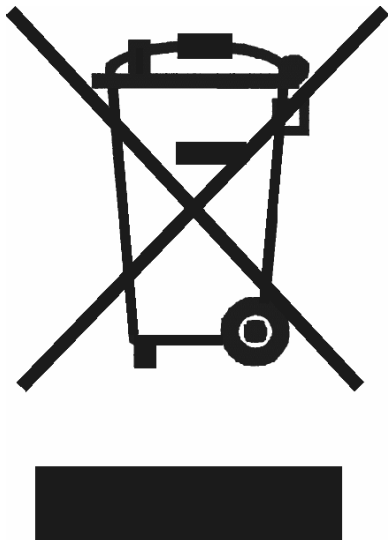
### 6.1 DESMANTELAMENTO DA MÁQUINA

Nas nossas máquinas não há materias que requerem processos especiais de escoamento.

---

## 6.2 ELIMINAÇÃO CORRECTA DESTE PRODUCO

### (Resíduo de Equipamentos Eléctricos e Electrónicos)



Esta marca, apresentada no produto ou na sua literatra indica que ele não deverá ser eliminado juntamente com os resíduos domésticos indiferenciados no final do seu período de vida útil. Para impedir danos ao ambiente e à saúde humana causados pela eliminação incontrolada de resíduos deverá separar este equipamento de outros tipos de resíduos e reciclá-lo de forma responsável, para promover uma reutilização sustentável dos recursos materiais.

Os utilizadores domésticos deverão contactar ou o estabelecimento onde adquiriram este produto ou as entidades oficiais locais para obterem informações sobre onde e de que forma podem levar este produto para permitir efectuar uma reciclagem segura em termos ambientais.

Os utilizadores profissionais deverão contactar o seu fornecedor ou consultar os termos e condições do contrato de compra. Este produto não deverá ser misturado com outros resíduos comerciais para eliminação.

**INHOUD**

<b>HFDST. 1 VOORWOORD .....</b>	<b>87</b>
<b>HFDST. 2 INSTALLATIE.....</b>	<b>87</b>
2.1 DE MACHINE VERPLAATSEN EN UITPAKKEN.....	87
2.2 ELEKTRISCHE AANSLUITING.....	88
2.3 HYDRAULISCHE AANSLUITING .....	88
2.4 AANSLUITING OP DE AFVOERLEIDING .....	89
2.5 VERSCHILLENDE INSTELLINGEN .....	89
2.6 TEMPERATUURINSTELLING EN AFSTELLING DOSEERDERS.....	90
<b>HFDST .3 AANBEVELINGEN.....</b>	<b>91</b>
3.1 OVERIGE RISICO'S .....	91
3.2 STANDAARD- STAP VOORWAARDE .....	92
3.3 GEVAARLIJKE ZONES .....	92
3.4 WATERPAS AKOESTISCH PRESSIE.....	93
3.5 FOUTMELDINGEN .....	94
<b>HFDST. 4 DE MACHINE GEBRUIKEN.....</b>	<b>96</b>
4.1 LEGENDA.....	96
4.2 KEUZE BEDIENINGEN .....	96
4.3 GEBRUIK VAN DE MACHINE .....	96
4.4 NA HET WASSEN .....	97
4.5 ACTIVERING HALVE LADING ALLEEN VOOR TT924 .....	98
4.6 WEERGAVEN TEMPERATUREN .....	98
<b>HDFST. 5 ONDERHOUD .....</b>	<b>99</b>
5.1 ALGEMENE REGELS.....	99
5.2 PERIODIEK ONDERHOUD (ten minste uit te voeren om de 20 dagen) .....	99
<b>HDFST. 6 ONTMANTELING .....</b>	<b>100</b>
6.1 ONTMANTELING VAN DE MACHINE.....	100
6.2 CORRECTE VERWIJDERING VAN DIT PRODUCT .....	100

---



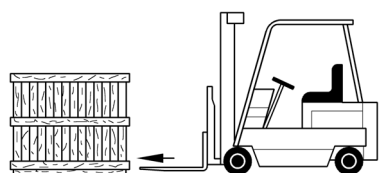
## Hfdst. 1 VOORWOORD

In deze handleiding worden belangrijke aanwijzingen ten aanzien van de veiligheid tijdens de installatie, het gebruik en het onderhoud vermeld.

De gebruiker heeft de plicht om deze handleiding aandachtig te lezen alvorens de machine te verplaatsen, te installeren, te gebruiken, te onderhouden of buiten dienst te stellen; het is dan ook noodzakelijk om deze handleiding goed te bewaren zodat hij ook na verloop van tijd nog intact is door hem op een veilige plaats neer te leggen en voor veelvuldige raadpleging eventuele kopieën te gebruiken.

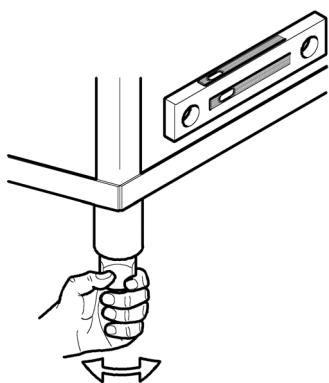
## Hfdst. 2 INSTALLATIE

### 2.1 DE MACHINE VERPLAATSEN EN UITPAKKEN



- De machine moet uiterst voorzichtig met een vorkheftruck worden verplaatst.
- Controleer of de machine intact is. Is er sprake van zichtbare schade, dan moet de verkoper en de transporteur die de machine heeft vervoerd hier onmiddellijk van op de hoogte worden gesteld. Bij twijfel mag de machine niet in gebruik worden genomen zolang de machine niet is gecontroleerd door gespecialiseerd personeel.
- Verplaats de machine naar de plaats waar de machine geïnstalleerd moet worden en ontdoe de machine van de verpakking.

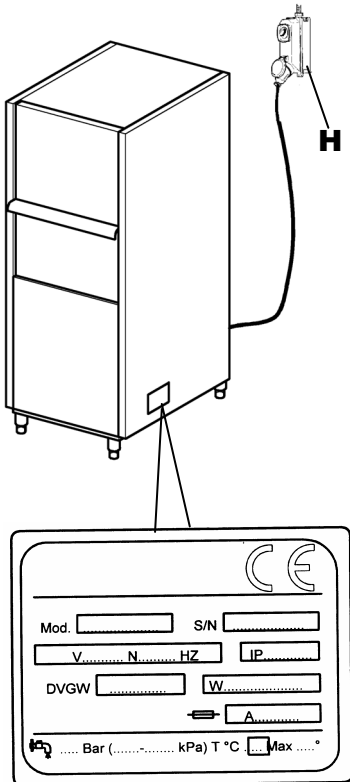
**Het verpakkingsmateriaal (plastic zakken, schuimplastic, spijkers enz.) mag niet binnen bereik van kinderen worden gelaten, omdat dit een mogelijk bron van gevaar vormt.**

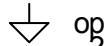


- De machine mag uitsluitend in overeenstemming met de aanwijzingen van de constructeur geïnstalleerd worden en dit uitsluitend door vakkundig gekwalificeerd personeel gedaan worden.
- Dit apparaat is alleen geschikt voor vaste aansluiting.
- Zet de machine door middel van de schroefpoten waterpas.
- De vloer moet berekend zijn op het totaal gewicht van de machine.
- Houd de aanwijzingen die op het aansluitschema van de machine staan vermeld aan en breng in het waslokaal de elektrische aansluiting en de aansluiting van de watertoevoer- en afvoerleiding tot stand.



## 2.2 ELEKTRISCHE AANSLUITING



1. De aansluiting op het elektriciteitsnet moet tot stand gebracht worden met een hoofdschakelaar (H) Dit moet een veelpolige magnetothermische schakelaar zijn die alle contacten inclusief de nulleiding verbreekt, met een afstand tussen de open contacten van minstens 3 mm, die voor de veiligheid springt of die gekoppeld is aan zekeringen, die bemeten en afgesteld moeten zijn met het oog op het maximum vermogen dat op de machine staat vermeld (zie machineplaat).
2. Er dient nagegaan te worden dat de spanning en de frequentie van het elektriciteitsnet overeenstemmen met de gegevens die op de machineplaat staan waar de technische gegevens van de machine op staan die aan de rechterkant van de machine is aangebracht.
3. Een deugdelijke aarding zoals vereist door de geldende veiligheidsvoorschriften is een garantie voor de veiligheid van de gebruiker en het apparaat.
4. Het gebruik van verloopstekkers, meervoudige stopcontacten en verlengsnoeren is absoluut verboden.
5. Het apparaat moet bovendien op een potentiaalvereffeningssysteem worden aangesloten; de aansluiting op een dergelijk systeem wordt tot stand gebracht door middel van een schroef waar het symbool  op staat. De potentiaalvereffeningsleiding moet een doorsnede van 10 mm<sup>2</sup> hebben.



De voedingskabel die bij de levering van de machine is inbegrepen mag alleen door een kabel worden vervangen die dezelfde doorsnede heeft en die van type H07RN-F is.

Raadpleeg voor nadere informatie het bijgevoegde elektrische aansluitschema.

## 2.3 HYDRAULISCHE AANSLUITING

Breng het vertrek in gereedheid zoals aangegeven op bijgevoegd hydraulisch aansluitschema.

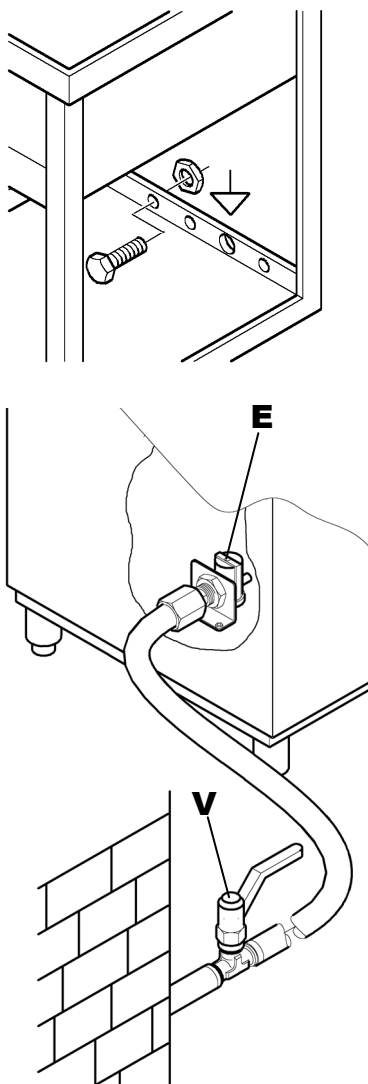
Controleer alvorens het apparaat aan te sluiten of er tussen de watertoevoerleiding en het apparaat een schuifklep is geplaatst die in staat is om de watertoevoerleiding indien nodig of in geval van reparaties snel en volledig af te sluiten.

Sluit de toevoerelektromagneetklep (**E**) aan op de schuifklep (**V**) en controleer of het toevoerdebiet niet minder bedraagt dan 20 l/min.

**Ga na dat de temperatuur en de druk van het toevoerwater overeenstemt met de gegevens die op de plaat staan vermeld waar de technische gegevens van de machine op staan.**

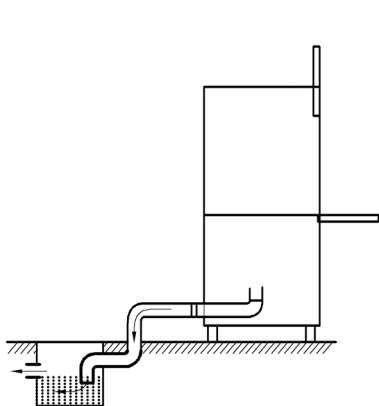
Mocht de hardheid van het water groter zijn dan de in de tabel vermelde gegevens, dan verdient het aanbeveling om vóór de toevoerelektromagneetklep van de machine een waterontharder te installeren.

In geval van hoge concentraties van minerale resten in het water of hoge geleidingscapaciteit wordt geadviseerd een demineralisatie-installatie te installeren, afgesteld op een resthardheid zoals aangegeven in onderstaande tabel.





	<b>Eigenschappen</b>		<b>van</b>	<b>tot</b>
Hardheid	Franse hardheidsgraden	f	5	10
	Duitse hardheidsgraden	°dH	4	7'5
	Engelse hardheidsgraden	°e	5	9,5
	Parts per million	ppm	70	140
Resterende mineralen	Maximum	mg/l	300/400	



## 2.4 AANSLUITING OP DE AFVOERLEIDING

Het legen van de kuip gebeurt door middel van zwaartekracht, de afvoer moet daarom op een lager niveau dan de onderkant van de machine worden geplaatst.

Het afvoerkoppelstuk moet door middel van een flexibele slang op een putje of een bak met sifon die in de vloer is aangebracht worden aangesloten.

De afmetingen van de afvoer van de machine staan vermeld op het installatieschema van de machine.

## 2.5 VERSCHILLENDE INSTELLINGEN

Betreed het "primaire menu" voor de technische instellingen.

Voer de beschreven handelingen uit ( **afb. 1** )

- Open de deur en de capot
- Druk tegelijkertijd 5 seconden lang de toetsen 2 en 3 (selectie cyclus en start) in.
- Door vervolgens meerdere keren op de toets 1 (on /off machine) te drukken is het mogelijk om de items in de volgende volgorde te selecteren. Het is mogelijk om de parameters te activeren of te wijzigen met behulp van de toetsen 2 en 3.
- Voor het verlaten en het opslaan van de nieuwe instellingen is het voldoende om de toets 1 een aantal seconden lang ingedrukt te houden.

**LANGUAGE:** Keuze van de gewenste taal.

**THERMOSTOP:** Deactivering van de functie thermostop

**ENERGY SAVING:** Activering van de functie Energy saving.

**PREHITING:** Activering snelle verwarming machine.

**DETERGENT PUMP:** Continue activering pomp reinigingsmiddel. Door de toets 3 ingedrukt te houden is het mogelijk om de pomp reinigingsmiddel te laden. We raden u aan om reinigingsmiddel te laden tot de aspiratieslang helemaal gevuld is.

**DETERGENT PUMP:** Continue activering pomp spoelmiddel. Door de toets 3 ingedrukt te houden is het mogelijk om de pomp spoelmiddel te laden. We raden u aan om spoelmiddel te laden tot de aspiratieslang helemaal gevuld is.

**DOSAGE TIME DURING WASHING:** In dit item is het mogelijk om de tijd voor de activering van de pomp reinigingsmiddel en dus de concentratie aan reinigingsmiddel in het reservoir in te stellen. Met behulp van de toetsen 2 en 3 neemt de tijd voor de inschakeling toe of af.

**RINSE PRODUCT:** In dit item is het mogelijk om de tijd voor de activering van de pomp spoelmiddel en dus de gebruikte hoeveelheid in te stellen. Met behulp van de toetsen 2 en 3 neemt de tijd voor de inschakeling toe of af.

**DRAIN PUMP:** apparatuur niet onstabiel op deze machine.

**DRAIN PUMP:** apparatuur niet onstabiel op deze machine.

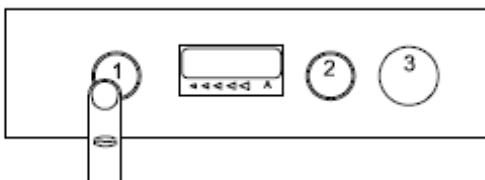
**EXTERNAL SOFTENER CYCLEIS:** Externe installatie voor waterverzachting. In het geval dat de installatie een externe installatie voor waterverzachting voorziet is tevens voorzien dat een aantal cycli ingevoerd wordt waarna de machine met een bericht aangeeft dat onderhoud noodzakelijk is.

**CYCLE COUNTER:** Aantal cycli dat door de machine uitgevoerd is.

## 2.6 TEMPERATUURINSTELLING EN AFSTELLING DOSEERDERS

### - Afstelling temperaturen:

Door de toets 1 een aantal seconden ingedrukt te houden verschijnt de tekst "A BOILER SET TEMPERATUR". Met de toetsen 2 en 3 is het mogelijk om de set temperatuur boiler toe of af te laten nemen.



Door meerdere keren op de toets 1 te drukken verschijnt de tekst "B TANK SET TEMPERATUR" afstelling van de temperatuur reservoir. Bij modellen uitgerust met een reinigingscyclus bestek is het mogelijk om de temperatuur van de cyclus bestek in te stellen door wederom op de toets 1 te drukken en C FLATWAIRE weer te geven.

Met behulp van de toetsen 2 en 3 is het tevens mogelijk om de temperatuur reinigen te wijzigen.

Houd de toets 1 ingedrukt om deze omstandigheid te verlaten.

Opmerking:

we raden u aan om de machine uit en weer in te schakelen door meerdere keren op de lijntoets 1 te drukken.

### - Afstelling doseerders reinigingsmiddel.

Let op: het reinigingsmiddel dient voor industrieel gebruik te zijn en een schuimremmende werking te hebben.

Betreed het "primaire menu" voor technische instellingen zoals in de paragraaf 2.5 beschreven staat en loop met behulp van de toets 1 het menu door tot het item "DOSAGE TIME DURING WASHING". De weergegeven tijd stemt overeen met de tijd voor de inschakeling van de doseerder tijdens de reinigingsfase van een programma. Het is mogelijk om deze tijd te wijzigen met behulp van de toetsen 2 en 3. Om deze omstandigheid te verlaten is het voldoende op de toets 1 te drukken tot de balkjes weergegeven worden. De ingestelde tijd wordt opgeteld aan de functioneringstijd voor het eerste vullen.

De elektropomp reinigingsmiddel heeft een debiet van 3 Liter/uur.

We onthouden u eraan dat de hoeveelheid aan reinigingsmiddel afhankelijk van het etiket op de recipiënt kan variëren van 2 tot 4 gr/L voor water met een hardheid van 5 - 10 °F (graden francwsi).

#### - **Afstelling doseerders Spoelmiddel.**

Betreed het "primaire menu" voor technische instellingen zoals in het hoofdstuk 2.5 beschreven staat en loop met behulp van de toets 1 het menu door tot het item RINSE AID PUMP. De weergegeven tijd komt overeen met de tijd voor de inschakeling van de doseerder spoelmiddel aan het einde van het wasprogramma. Het is mogelijk om deze tijd te wijzigen met behulp van de toetsen 2 en 3. Om deze omstandigheid te verlaten is het voldoende op de toets 1 te drukken tot de balkjes weergegeven worden. De ingestelde tijd wordt opgeteld aan de functioneringstijd voor het eerste vullen.

De elektropomp spoelmiddel heeft een debiet van 0.4 Liter/uur.

## **HFDST .3 AANBEVELINGEN**



### **3.1 OVERIGE RISICO'S**

- Open de deur van de machine niet snel als het programma nog bezig is.
- Dompel nooit uw blote handen in de wasoplossing.
- Verwijder nooit de machinepanelen indien er niet eerst voor gezorgd is dat de machine losgekoppeld is van het stroomopwaartse voedingsnet.
- Het gespecialiseerde personeel dat de installatie en de elektrische aansluiting uitvoert is gehouden om de gebruiker goed over de werking van het apparaat en de eventueel in acht te nemen veiligheidsvoorschriften te informeren.
- De installateur moet de gebruiker bovendien praktijkdemonstraties geven over de wijze van gebruik en de betreffende schriftelijke aanwijzingen die bij het apparaat worden verstrekt aan de gebruiker overhandigen.
- **Dit apparaat mag uitsluitend voor de doeleinden worden gebruikt waarvoor het uitdrukkelijk is ontwikkeld. Elk ander gebruik dient als oneigenlijk en dus als gevaarlijk te worden beschouwd.**
- De machine mag niet door personeel worden gebruikt dat niet getraind is.
- Gebruik de machine nooit zonder de beveiligingen (microschakelaars, panelen e.d.) die door de constructeur zijn aangebracht.
- Gebruik de machine nooit om voorwerpen te wassen waarvan de vormen, afmetingen of materialen niet in overeenstemming zijn met de aanwijzingen van de constructeur.
- Eventuele reparaties van de machine mogen uitsluitend door het constructiebedrijf of door een bevoegd servicecentrum worden uitgevoerd waarbij uitsluitend originele reserveonderdelen mogen worden gebruikt.
- Door het niet in acht nemen van het bovenstaande kan de veiligheid van het apparaat in gevaar worden gebracht.
- Als de machine niet wordt gebruikt mag de machine niet onder spanning blijven staan.
- Benader de machine nooit met magnetische voorwerpen aangezien deze hierdoor onaangekondigd ingeschakeld zou kunnen worden.

#### **HET IS BELANGRIJK TE ONTHOUDEN DAT:**

- **De machine voorzien dient te zijn van een perfect geaarde elektrische aansluiting die regelmatig gecontroleerd en nagegaan dient te worden.**

### 3.2 STANDAARD- STAP VOORWAARDE

Ambient Temperatuur : 40°Cmax 4°Cmin ( shade 30°C)

Stand : voor 2000 tiendelig

Verwant vochtig : max 30% ter max 90% ter 20°C

Vervoer en Opslag in entrepot : tussen -10°C en 55°C van vrede voor 70°C ( max 24 h)

### 3.3 GEVAARLIJKE ZONES

Bepaling van de gevaarlijke zones en de wijze (zie het figuur op de volgende bladzijde) waarop deze zich manifesteren, en algemene beschrijving van de genomen veiligheidsmaatregelen



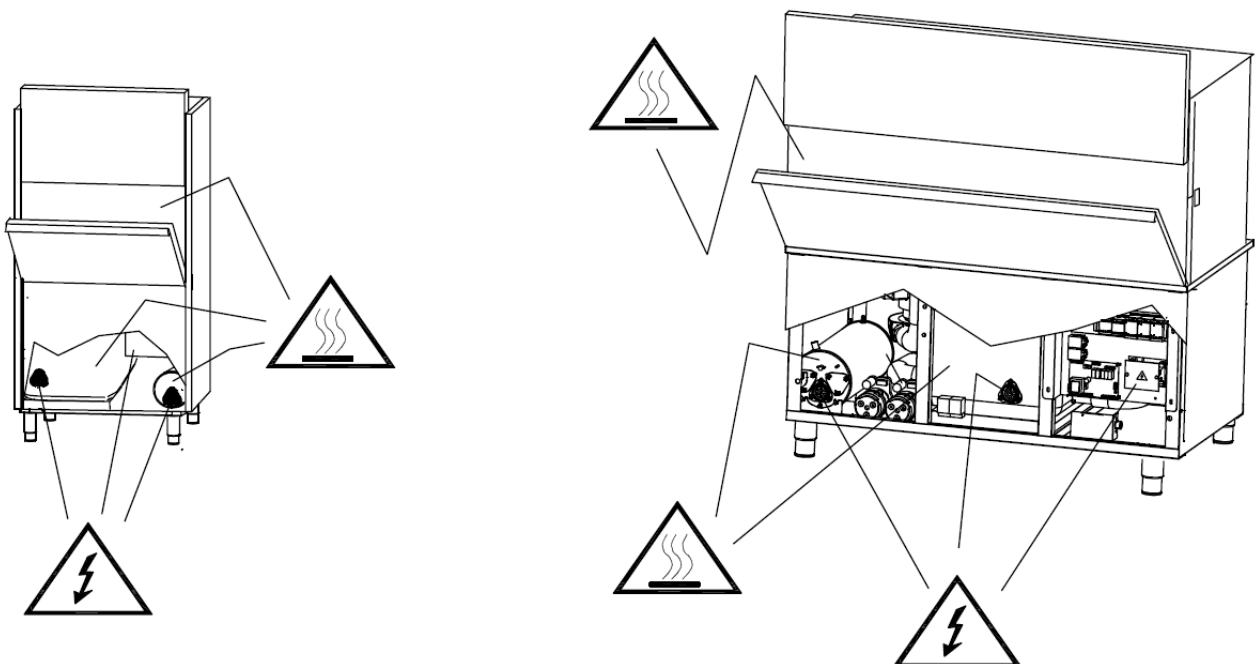
#### **Gevaarlijke elektrische spanning.**

- elektrisch hoofdpaneel
- elektropompen
- ventilator

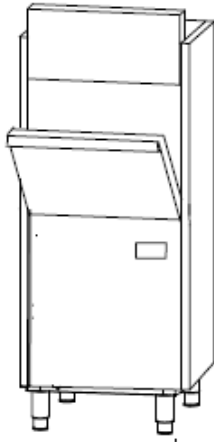


#### **Gevaar van thermische aard**

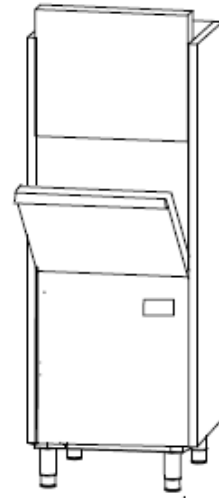
- Warme onderdelen



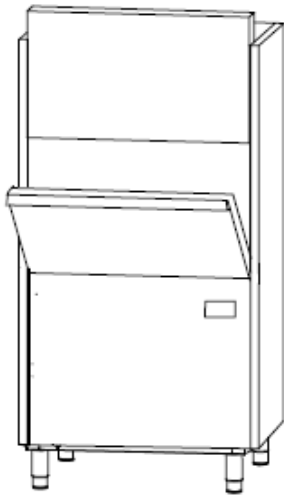
## 3.4 WATERPAS AKOESTISCH PRESSIE



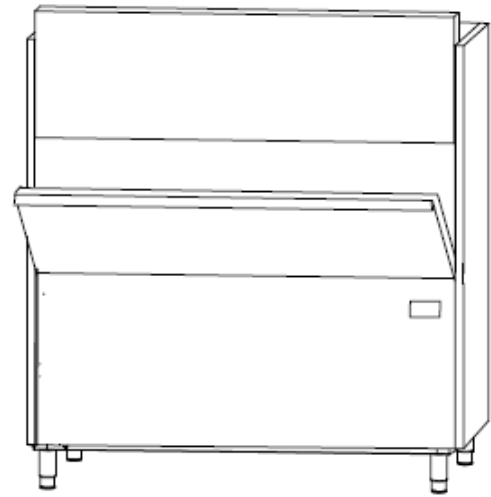
66 dB



66,8 dB



67,4 dB



74,3 dB

### 3.5 FOUTMELDINGEN

#### **Wat moet u doen als het display het volgende toont:**

##### ***ER 01 Spoelen uitgebleven***

Als deze foutmelding op het display aangegeven wordt houdt dit in dat het spoelen niet op correcte wijze uitgevoerd is. We raden u dus aan om te controleren dat de sproeiers voor het spoelen niet worden geblokkeerd en om vervolgens een nieuw spoelprogramma uit te voeren. Neem contact op met een erkend centrum voor technische assistentie als de storing aanhoudt.

##### ***ER 02 Legen uitgebleven***

Als het display dit bericht toont houdt dit in dat het legen van het reservoir niet correct uitgevoerd is.

Schakel de machine uit en weer in, kies voor de cyclus legen en:

- Controleer dat tijdens de cyclus legen de overloop verwijderd wordt uit de afvoer van het reservoir (alleen in het geval van versies met overloop). Voer vervolgens een nieuwe cyclus legen of een zelfreinigende cyclus uit. Neem contact op met een erkend centrum voor technische assistentie als het probleem aanhoudt.

##### ***ER 03 Verwarmen uitgebleven***

Als deze foutmelding op het display verschijnt houdt dit in dat het verwarmen van de boiler niet op correcte wijze plaatsvindt. Schakel de machine uit en weer in en herhaal het ingestelde programma. Neem contact op met een erkend centrum voor technische assistentie als het probleem aanhoudt.

##### ***Vreemde geluiden tijdens het verwarmen.***

Weerstand helemaal bedekt met kalk of met zouten die in zeer goed geleidend water aanwezig zijn. We raden u aan om de weerstand te vervangen. Gelieve tevens de functionering van de installatie voor waterverzachting van de machine te controleren.

##### ***E 04 Vullen reservoir uitgebleven of sensor waterpeil in reservoir defect.***

Als deze foutmelding op het display aangegeven wordt houdt dit in dat er zich tijdens het vullen een probleem voorgedaan heeft.

We raden u aan om te controleren dat:

- Er water in het netwerk aanwezig is.
- De overloop op correcte wijze aangebracht is (alleen in het geval van modellen met overloop).
- Het debiet en de druk van het water geschikt zijn voor deze machine.

We raden u aan om de machine uit en weer in te schakelen zonder het reservoir te legen.

Neem contact op met een erkend centrum voor technische assistentie.

##### ***ER 05 ; ER 06 Sensor controle temperatuur reservoir defect.***

Deze foutmelding verschijnt in het geval van een defect aan de meter voor de controle van de watertemperatuur.

Er 05: sensor open

Er 06: kortsluiting sensor.

We raden u aan om contact op te nemen met een erkend centrum voor technische assistentie

**ER 07 ; ER 08 Sensor controle temperatuur boiler defect.**

Deze foutmelding verschijnt in het geval van een defect aan de meter voor de controle van de temperatuur boiler.

Er 07: sensor open

Er 08: kortsluiting sensor.

We raden u aan om contact op te nemen met een erkend centrum voor technische assistentie

**ER 09 Vullen boiler uitgebleven of sensor peil boiler defect.**

Deze foutmelding verschijnt als wordt opgemerkt dat de boiler niet helemaal gevuld is. De machine wordt geblokkeerd om te voorkomen dat het vaatwerk niet op correcte wijze afgespoeld wordt.

-Controleer dat het debiet en de hydraulische druk correct zijn.

We raden u aan om contact op te nemen met een erkend centrum voor technische assistentie

**Hir b temperatuur te hoog voor spoelen.**

Deze foutmelding wordt aangegeven als de sensor temperatuur boiler een te hoge temperatuur opmeet.

Het is noodzakelijk de ingestelde temperatuur van de boiler te verlagen.

- We herinneren u eraan dat de ingreep van beveiligingen en de signaleringen voor hoge temperaturen tevens veroorzaakt kan worden door het feit dat de machine geïnstalleerd is op een hoogte boven het zeeniveau van meer dan 2000 mt. In dit geval raden we aan om elke instelling voor het verwarmen te verlagen aangezien het kookpunt hier lager ligt.

**HIW T temperatuur te hoog voor reinigen.**

Deze foutmelding wordt aangegeven als de sensor temperatuur reservoir een te hoge temperatuur opmeet.

Het is noodzakelijk de ingestelde temperatuur van het reservoir te verlagen.

**SAFE Ingreep veiligheidsthermostaten**

We raden u aan om contact op te nemen met een erkend centrum voor technische assistentie

## HFDST. 4 DE MACHINE GEBRUIKEN

### 4.1 LEGENDA

Met verwijzing naar **Fig.1** heeft de vaatwasser een:

1	ON/OFF KNOP	4	INFORMATIEDISPLAY
2	PROGRAMMAKEUZEKNOP	5	TIJDBALK
3	STARTKNOP		

### 4.2 KEUZE BEDIENINGEN

1 ) Druk voor het inschakelen van de machine op de toets **1 (Afb.1)**.

De toets **3** begint te knipperen en de machine begint water te laden. Onthoud dat u de overloop, filters in reservoir, op correcte wijze aanbrengt en sluit de deur.

Als de machine water geladen heeft vangt automatisch het verwarmen aan en wordt tegelijkertijd de ingestelde hoeveelheid aan reinigingsmiddel opgezogen.

2) De machine zal gereed voor gebruik zijn als de heldere toets **3** groen oplicht. ( **Afb.2**).

3) Selecteer met behulp van de toets **2 ( Afb.3)** de duur van het wasprogramma naar aanleiding van de vereisten.

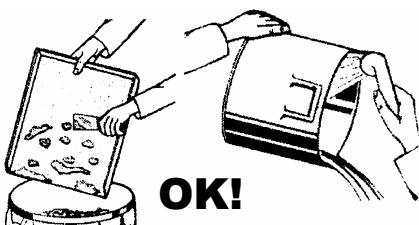
Het is mogelijk om achtereenvolgens wasprogramma's van ongeveer 2 tot 12 minuten en een programma voor CLS zelfreiniging te selecteren.

Het gekozen programma blijft in het geheugen opgeslagen voor verder gebruik.

4) Open de deur en plaats de te reinigen voorwerpen, die u gerangschikt heeft zoals in de volgende paragraaf "4.3 Rangschikking van het vaatwerk" aangegeven staat, in de machine. Sluit vervolgens de deur en start de wasbeurt op met behulp van de toets **3**. Tijdens het reinigen kleurt de toets blauw .

5) Aan het einde van het reinigen laat de machine drie pieptonen horen en wordt de tekst **fine (Afb.5)** weergegeven. Open de deur aan het einde van het programma, verwijder de mand en wacht een aantal seconden tot alle voorwerpen helemaal droog zijn.

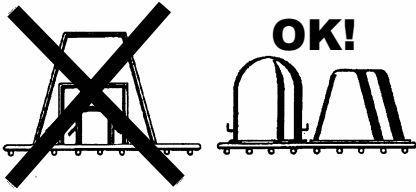
### 4.3 GEBRUIK VAN DE MACHINE



Om het onderhoud tot het minimum te beperken, **BEVELEN WIJ AAN EEN VOORAFGAANDE SCHOONMAAK** van het vaatwerk . De verwijdering van etensresten, citroenschillen, tandenstokers, olijpitten enz die het filter van de elektropomp zouden kunnen verstopen en de doeltreffendheid van de was verminderen, zal de kwaliteit van het eindresultaat verbeteren.

Het is aan te raden het vaatwerk eerst te wassen voordat de etensresten vastkoeken op hun oppervlakten. In het geval van hard vuil, is het nuttig om het vaatwerk en het bestekte laten weken voor het in de machine te plaatsen.





- De instructies van de fabrikant opvolgen en de vereiste hoeveelheid wasmiddel in de waskuip inbrengen.

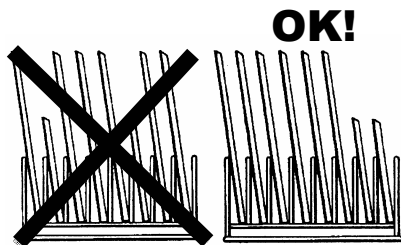
- Het wasmiddel moet van industrieel soort zijn, dat schuimremmend is.

- Niet blote handen in de wasmiddel oplossing dompelen, de kopjes en de glazen omgekeerd in de manden plaatsen. De borden in de geschikte mand met steunarmpjes met het binnen oppervlak naar boven gekeerd zetten.



- Het bestek en de theelepeltjes met het handvat naar beneden gekeerd plaatsen.

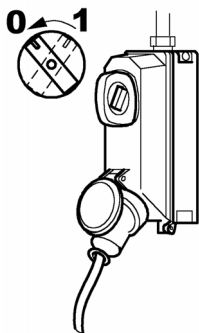
- Niet zilver-en roestvrij staal bestek in dezelfde bestekmanden plaatsen. Het zou bruine vlekken op het zilver en waarschijnlijk corrosie van het roestvrije staal veroorzaken.



- Voor een ander type vaatwerk (borden, glazen, kopjes, bestek etc.) de specifiek gemaakte manden gebruiken. Om wasmiddel en elektrische energie te besparen, alleen volle manden wassen, zonder deze over te beladen. Het opelkaar plaatsen van vaatwerk vermijden.

#### 4.4 NA HET WASSEN

- Voer een auto-reinigingscyclus uit. Kies met behulp van de toets **2 (fig 6)** het programma “**CLS**” verwijder vervolgens de filters, de overloop, sluit de deur af en druk op de toets **3**.

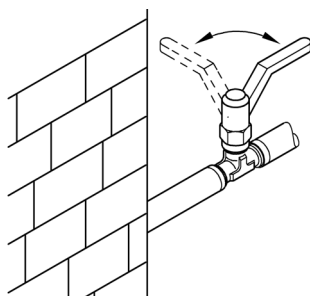


- Voer na het legen van de machine twee spoelcycli uit, waarna de machine automatisch uitgeschakeld wordt.

- Stroom afsluiten knop

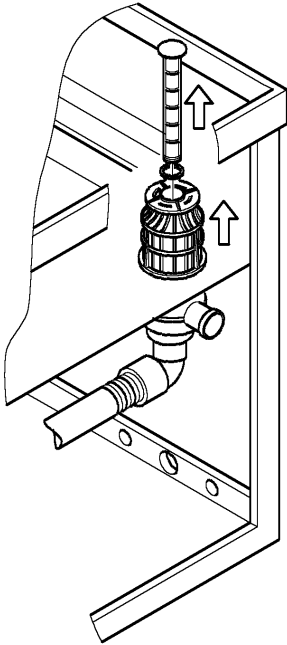
- Open de deur en haal de mand met de schone was eruit.

- Water wegpompen door het stopje op te lichten, waar een pomp aanwezig is de instructies volgen in voorgaande paragraaf.



- De hoofdschakelaar uitzetten boven het apparaat.

- Het valdeurtje dichtmaken voor het water toevoer.



- De filters verwijderen en onder de kraan met een afwasborsteltje schoonmaken.
- Zorg dat het vuil van het filter niet op de bodem van de wasbak terecht komt. De wasbak met een zachte waterstraal schoonspoelen. De buitenkant schoonmaken als de machine afgekoeld is met een niet-schurend product voor roestvrij staal.

**NOTA:** De machine niet met directe waterstralen of hoge druk schoonmaken omdat eventuele infiltraties in de elektrische onderdelen de normale werking van de machine en vande veiligheids systemen zouden kunnen benadelen, metals gevolg het verval van de garantie.

#### 4.5 ACTIVERING HALVE LADING ALLEEN VOOR TT924

Het is mogelijk om de functie "halve lading", nuttig in het geval we over weinig te reinigen voorwerpen bevatten, te activeren waardoor energiebesparing, een besparing van water en reinigingsmiddelen mogelijk is.

- 1) Laad het te reinigen vaatwerk aan de rechterkant van de machine zoals aangegeven staat in de ( *Afb7* ).
- 2) Open de deur en houd de startknop ingedrukt **3** tot het lampje **M** (*Afb 8*) oplicht
- 3) Sluit de deur en activeer de het wasprogramma zoals in het vorige hoofdstuk beschreven staat.
- 4) Tijdens het wassen verschijnt een symbool op het display waarmee aangegeven wordt dat slechts de helft van de machine functioneert.

#### 4.6 WEERGAVEN TEMPERATUREN

Het display **9** (*Afb.1*) toont op elk moment de temperatuur voor het spoelen. Door de toets **4** (*Afb.4*) een aantal seconden lang ingedrukt te houden is het mogelijk om de temperatuur voor het reinigen en vervolgens het aantal wasbeurten dat de machine uitgevoerd heeft te tonen.

## HDFST. 5 ONDERHOUD

### 5.1 ALGEMENE REGELS

De machine zijn ontworpen om de verijsten van onderhoud tot het minimum te beperken. De regels die volgen moeten in ieder geval gerespecteerd worden om een lange duur en een functionering zonder ongemakken te garanderen.

In ieder geval, moeten enkele algemene regels gerespecteerd worden om de machines in een perfecte staat te behouden:

- de machine schoon en in orde houden
- vermijden dat de voorlopige of nood reparaties frekwent worden

Da nauwkeurige in acht neming van de regels van periodiek onderhoud is heel belangrijk: alle onderdelen van de machine moeten regelmatig gecontroleerd worden om te vermijden dat zich eventuele afwijkingen presenteren en zo de noodzakelijke tijd en middelen te voorzien voor een eventuele onderhouds ingreep.

**Voordat men tot het schoonmaken overgaat de elektrische voeding van de machine.**

### 5.2 PERIODIEK ONDERHOUD (ten minste uit te voeren om de 20 dagen)

Om de volgende handelingen makkelijker te maken kunt u het rek, waar de mand op steunt, verwijderen.

- De spoelarmen boven en onder, de monteren door de schroefknop af te draaien.
  - Alle sproeiers (5) los draaien en schoonmaken en terug plaatsen.
  - Nu de boven en onder wasarmen losmaken door de "spoel pin" los te schroeven schoonmaken en afspoelen.
  - Het filter van de waspomp verwijderen. schoonmaken en spoelen.
  - Versvolgens de waskuip met zorg schoonmaken.
  - De kap van de machine open laten staan al de tijd dat de machine niet gebruikt wordt.
  - Ten gevolge van de aanwezigheid van kalk en magnesium in het water, vormt zich, na een bepaalde tijd van werking. Een kalk incrustatie, dat varieert naar gelang de hardheid van het water, op de binnenste oppervlakten van de kuip van de boiler en van de buizen, dat de goede werking van de machine kan benadelen.
-

- Men moet in dat geval tijdelijk de machine ontkalken. Wij raden aan dat door technisch gekwalificeerd personeel te laten uitvoeren.
- Wanneer de machine voor lange tijd buiten werking zou blijven, moet men de opeervlakten in roestvrij staal met vaseline olie oliën.
- In geval van gevaar van ijsvorming, het water uit de boiler en uit de waspomp door technisch personeel laten afvoeren.
- **In geval van slechte werking of beschadigingen, zich uitsluitend tot een service centrum wenden, geautoriseerd door de constructeur van de machine of door zijn concessionair.**

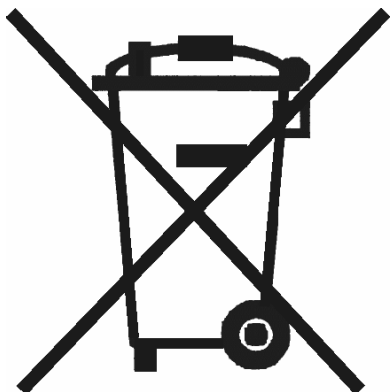


## HDFST. 6 ONTMANTELING

### 6.1 ONTMANTELING VAN DE MACHINE

Op onze machines bevinden zich geen materialen die bijzondere procedures van vernietiging vereisen.

### 6.2 CORRECTE VERWIJDERING VAN DIT PRODUCT (elektrischen & elektronische afvalapparatuur)



Dit merkteken op het product of het bijbehorende informatiemateriaal duidt erop dat het niet met ander huishoudelijk afval verwijderd moet worden aan het einde van zijn gebruiksduur. Om mogelijke schade aan het milieu of de menselijke gezondheid door ongecontroleerde afvalverwijdering te voorkomen, moet u dit product van andere soorten afval scheiden en op een verantwoorde manier recyclen, zodat het duurzame gebruik van materiaalbronnen wordt bevorderd.

Huishoudelijke gebruikers moeten contact opnemen met de winkel waar ze dit product hebben gekocht of met de gemeente waar ze wonen om te vernemen waar en hoe ze dit product milieuriendelijk kunnen laten recyclen.

Zakelijke gebruikers moeten contact opnemen met hun leverancier en de algemene voorwaarden van de koopovereenkomsten nalezen. Dit product moet niet worden gemengd met ander bedrijfsafval voor verwijdering.

**INDHOLDSFORTEGNELSE**

<b>KAP. 1 INDLEDNING .....</b>	<b>3</b>
<b>KAP. 2 INSTALLATION .....</b>	<b>3</b>
2.1 FLYTNING OG FJERNELSE AF EMBALLAGE.....	3
2.2 TILSLUTNING TIL STRØMFORSYNING .....	4
2.3 TILSLUTNING TIL VANDFORSYNING .....	4
2.4 TILSLUTNING TIL AFLØB.....	5
2.5 FORSKELLIGE INDSTILLINGER.....	5
2.6 INDSTILLING AF TEMPERATUR OG JUSTERING FOR DOSERINGSANORDNINGER.....	6
<b>KAP.3 SIKKERHEDSPÅBUD .....</b>	<b>7</b>
3.1 TILBAGEVÆRENDE RISICI OG ADVARSLER.....	7
3.2 NORMAL SERVICE KÅR.....	7
3.3 FARLIGE OMRÅDER .....	8
3.4 BRINGE I NIVEAU AKUSTIK PRES.....	9
3.5 FEJLMEDDELELSER.....	10
<b>KAP. 4 ANVENDELSE AF MASKINEN.....</b>	<b>11</b>
4.1 OVERSIGT.....	11
4.2 FUNKTIONSVALG.....	11
4.3 MASKINENS BRUG.....	12
4.4 VED ENDT OPVASK .....	12
4.5 AKTIVERING AF HALV VASK (KUN FOR TT924).....	13
4.6 TEMPERATURVISNING.....	14
<b>KAP. 5 VEDLIGEHOLDELSE .....</b>	<b>14</b>
5.1 GENERELLE REGLER.....	14
5.2 PERIODISK VEDLIGEHOLDELSE (skal gennemføres mindst hver 20. dag) .....	15
<b>KAP. 6 NEDTAGNING .....</b>	<b>16</b>
6.1 NEDTAGNING AF MASKINEN.....	16
6.2 KORREKT AFFALDSBORTSKAFFLES AF DETTE PRODUKT .....	16

---



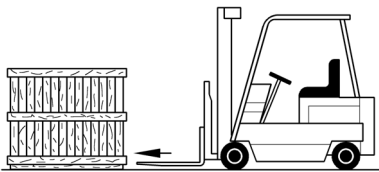
## KAP. 1 INDLEDNING

Forskrifterne i denne manual giver vigtige oplysninger med hensyn til sikkerhed i forbindelse med installation, brug og vedligeholdelse.

**Personalet har pligt til at læse denne manual** inden flytning, installation, brug, vedligeholdelse eller bortskaffelse af denne maskine. Det er derfor nødvendigt at opbevare manualen på et sikkert sted med henblik på senere brug. Fotokopier eventuelt manualen, så der findes eksemplarer til den daglige brug.

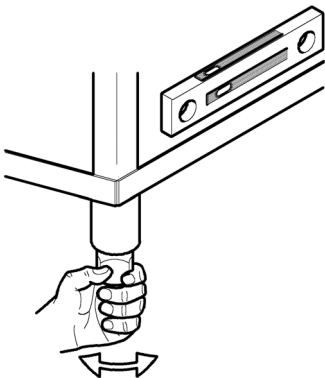
## KAP. 2 INSTALLATION

### 2.1 FLYTNING OG FJERNELSE AF EMBALLAGE



- Maskinen skal flyttes forsigtigt ved hjælp af en gaffeltruck.
- Kontrollér, at maskinen ikke er beskadiget. I tilfælde af synlige skader skal sælgeren og speditøren straks underrettes herom. I tvivlstilfælde må maskinen ikke anvendes, før den er blevet kontrolleret af specialuddannet personale.
- Anbring maskinen på installationsstedet og fjern emballagen.

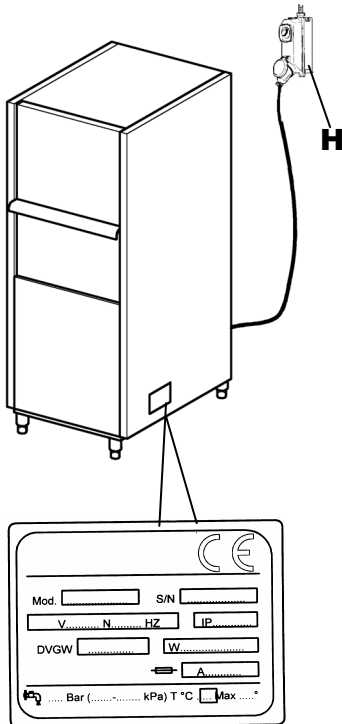
**Emballagen (plastposer, skumplast, søm osv.) skal opbevares utilgængeligt for børn, idet disse dele udgør en potentiel fare.**



- Installationen skal finde sted i overensstemmelse med anvisningerne fra producenten. Installationen skal udføres af kvalificeret personale.
- Denne maskine er kun egnet til permanent tilslutning.
- Anbring maskinen og nivellér den ved hjælp af fødderne.
- Ved udformning af underlaget skal der tages højde for maskinens samlede vægt.
- Følg anvisningerne på installationsskemaet for maskinen og forbered strøm- og vandforsyningen samt afløbet i lokalet, hvor opvaskemaskinen skal installeres.



## 2.2 TILSLUTNING TIL STRØMFORSYNING



1. Tilslutningen til strømforsyningen skal ske ved hjælp af en hovedafbryder (H). Afbryderen skal være alpolet og skal afbryde samtlige kontakter inkl. nullederen. Afbryderen skal have en indbyrdes kontaktafstand på min. 5 mm. Afbryderen skal endvidere være forsynet med termomagnetisk sikkerhedsudløsning og sikringer, der tåler den maksimale mærkestrøm.
2. Kontrollér, at strømforsyningens spænding og frekvens svarer til angivelserne på skiltet med de tekniske specifikationer. Skiltet er anbragt på højre side af maskinen.
3. Installation af et effektivt jordsystem som foreskrevet af lovgivningen garanterer beskyttelse for både brugeren og maskinen.
4. Det er strengt forbudt at benytte adaptere, stikdåser og forlængerledninger.
5. Maskinen skal desuden forbindes med et system, der har samme spænding. Forbindelsen sker ved hjælp af en skrue, afmærket med en pil . Den ensartede spændingsleder skal have en sektion på 10 mm<sup>2</sup>.



Det medleverede forsyningskabel må kun udskiftes med et andet kabel med tilsvarende tværsnit (type H07RN-F).

Vedrørende yderligere informationer henvises til det vedlagte elskema.

## 2.3 TILSLUTNING TIL VANDFORSYNING

Forbered installationslokalet i overensstemmelse med anvisningerne på hydraulikskemaet.

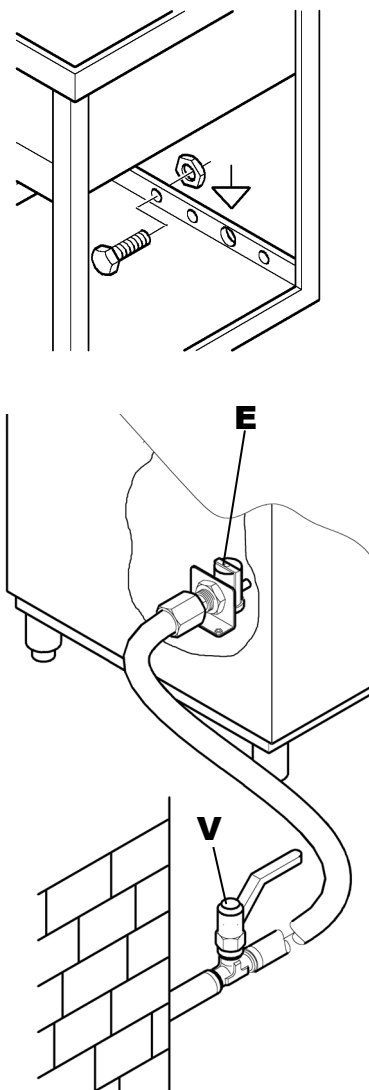
Kontrollér inden tilslutning af maskinen, at der er monteret en sluseventil mellem vandforsyningen og maskinen. Sluseventilen skal gøre det muligt at afbryde vandforsyningen i forbindelse med reparationer og i andre tilfælde, hvor det kan være nødvendigt at afbryde vandforsyningen.

Slut magnetventilen for vandtilførsel (**E**) til sluseventilen (**V**) ved hjælp af en slange. Kontrollér, at forsyningskapaciteten min. svarer til 20 l/min.

**Kontrollér, at vandets temperatur og tryk svarer til angivelserne på skiltet med de tekniske specifikationer.**

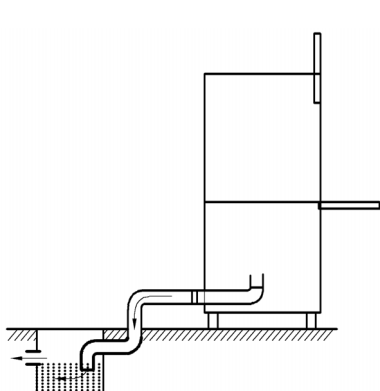
Hvis vandet er hårdere end angivelserne i nedenstående tabel, anbefales det at montere en afkalker før maskinens magnetventil for vandtilførsel.

Hvis vandet indeholder kraftige koncentrationer af restminerale med høj konduktivitet, anbefales det at installere et afsaltningsanlæg, der indstilles til en resthårdhed i overensstemmelse med nedenstående tabel.





	Karakteristika		Min.	Maks.
Hårdhed	Franske grader	f	5	10
	Tyske grader	°dH	4	7'5
	Engelske grader	°e	5	9,5
	Dele pr. million	ppm	70	140
Restindhold af mineraler	Maksimum	mg/l	300/400	



## 2.4 TILSLUTNING TIL AFLØB

Tømning af karret sker som følge af tyngde. Dette er grunden til, at afløbet skal være anbragt lavere end maskinens sokkel.

Dræningsforbindelsen skal sluttes til en kloak eller et gulvafløb med hævert ved hjælp af slangen.

Størrelsen for maskinens afløb fremgår af installationskemaet.

## 2.5 FORSKELLIGE INDSTILLINGER

Gå til hovedmenuen for tekniske indstillinger.

Fortsæt som beskrevet (**fig. 1**).

- Åbn lågen eller hættten.
- Tryk på knapperne **2** og **3** samtidigt (valg af program og start) i 5 sekunder.
- Tryk derefter på ON/OFF-knappen **1** flere gange for at vælge parametrene i følgende rækkefølge. Parametrene kan aktiveres eller ændres ved hjælp af knapperne **2** og **3**.
- Hold knappen **1** trykket nede i nogle sekunder for at forlade og lagre de nye indstillinger.

**LANGUAGE:** Vælg det ønskede sprog.

**THERMOSTOP:** Frakobling af termostopfunktionen.

**ENERGY SAVING:** Aktivering af energisparefunktionen.

**PREHEATING:** Aktivering af lynopvarmning af maskinen.

**DETERGENT PUMP:** Konstant drift af doseringsanordning for opvaskemiddel. Hold knappen **3** trykket nede for at fylde doseringsanordningen for opvaskemiddel. Det anbefales at påfylde opvaskemiddel, indtil indsugningsslangen er helt fyldt.

**RINSE AID PUMP:** Konstant drift af doseringsanordningen for afspændingsmiddel. Hold knappen **3** trykket nede for at fylde doseringsanordningen for afspændingsmiddel. Det anbefales at påfylde afspændingsmiddel, indtil indsugningsslangen er helt fyldt.

**DOSAGE TIME DURING WASHING:** Denne parameter gør det muligt at indstille driftstiden for doseringsanordningen for opvaskemiddel og dermed koncentrationen af opvaskemiddel i vaskekammeret. Benyt knapperne **2** og **3** til at forøge eller reducere driftstiden.

**RINSE PRODUCT:** Denne parameter gør det muligt at indstille driftstiden for doseringsanordningen for afspændingsmiddel og dermed den anvendte mængde. Benyt knapperne **2** og **3** til at forøge eller reducere driftstiden.

**DRAIN PUMP:** Dette apparat kan ikke installeres på denne maskine.

**WATER SOFTENER:** Dette apparat kan ikke installeres på denne maskine.

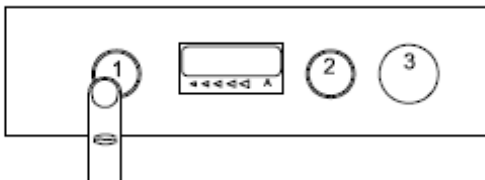
**EXTERNAL SOFTENER CYCLES:** Ekstern renser. Hvis maskinen er udstyret med en ekstern renser, indtastes et vist antal opvaskeprogrammer. Når dette antal er blevet nået, viser maskinen en meddelelse om påkrævet vedligeholdelse.

**CYCLE COUNTER:** Antal udførte opvaskeprogrammer.

## 2.6 INDSTILLING AF TEMPERATUR OG JUSTERING FOR DOSERINGSANORDNINGER

### - Indstilling af temperatur:

Hold knappen **1** trykket nede nogle sekunder, indtil teksten "A BOILER SET TEMPERATUR" vises. Benyt knapperne **2** og **3** til at forøge eller reducere den indstillede temperatur for boileren.



Tryk på knappen **1** flere gange, indtil teksten "B TANK SET TEMPERATUR" vises. For modeller udstyret med opvaskeprogram for bestik er det muligt at indstille temperaturen for programmet ved at trykke på knappen **1** igen, indtil "C FLATWARE" vises.

Benyt knapperne **2** og **3** til at ændre opvasketemperaturen.

Hold knappen **1** trykket nede for at forlade denne parameter.

Bemærk:

Sluk og tænd maskinen ved at trykke flere gange på ON/OFF-knappen **1**.

### - Indstilling af doseringsanordninger for opvaskemiddel.

**Advarsel: Anvend udelukkende et lavtskummende flydende opvaskemiddel til industriel brug.**

Gå til hovedmenuen for tekniske indstillinger som beskrevet i kapitel 2.5. Benyt knappen **1** til at bladere frem til parameteren "DOSAGE TIME DURING WASHING". Det viste tidsrum angiver driftstiden for doseringsanordningen for opvaskemiddel i forbindelse med et opvaskeprogram. Benyt knapperne **2** og **3** til at ændre dette tidsrum. Hold knappen **1** trykket nede, indtil stregerne vises, for at forlade denne parameter. Det indstillede tidsrum lægges til den indledende påfyldningstid.

Den elektriske doseringsanordning for opvaskemiddel har en kapacitet på 3 l/time.

Husk, at mængden af opvaskemiddel kan variere mellem 2 og 4 g/l (se typeskiltet på dunken) for vand med en hårdhed på 5-10 °F.

- **Indstilling af doseringsanordninger for afspændingsmiddel.**

Gå til hovedmenuen for tekniske indstillinger som beskrevet i kapitel 2.5. Benyt knappen **1** til at bladere frem til parameteren "RINSE AID PUMP". Det viste tidsrum angiver driftstiden for doseringsanordningen for afspændingsmiddel ved afslutning af opvaskeprogrammet. Benyt knapperne **2** og **3** til at ændre dette tidsrum. Hold knappen **1** trykket nede, indtil stregerne vises, for at forlade denne parameter. Det indstillede tidsrum lægges til den indledende påfyldningstid.

Den elektriske doseringsanordning for afspændingsmiddel har en kapacitet 0,4 l/time.

## KAP.3 SIKKERHEDSPÅBUD



### 3.1 TILBAGEVÆRENDE RISICI OG ADVARSLER

- Åben aldrig døren med en hurtig bevægelse, hvis maskinen ikke har afsluttet sin cyklus.
- Put aldrig hænderne ubeskyttet ned i vaskeopløsningen.
- Fjern aldrig maskinens paneler uden forudgående frakobling af forsyningen før maskinen.
- Det specialicerede personale, der foretager installationen og den elektriske tilslutning, skal instruere brugeren omkring maskinens drift og de eventuelle sikkerhedsforanstaltninger, som skal overholdes.
- Installatøren skal desuden give brugeren en praktisk instruktion om maskinens brug og han skal efterlade de skriftlige instruktioner, som bliver leveret sammen med selve maskinen.
- **Dette apparat må kun anvendes til det formål, hvortil det udtrykkeligt er beregnet. Enhver anden brug må regnes for forkert og derfor farlig.**
- Maskinen bør ikke betjenes af uinstrueret personale.
- Benyt ALDRIG maskinen uden den beskyttelse (mikrokontakter, afskærmninger, etc.) konstruktøren har udstyret maskinen med, hvis ikke der er en kvalificeret tekniker til stede, som tager de nødvendige foranstaltninger.
- Benyt ALDRIG maskinen til at vaske genstande i en form, type, størrelse, eller materiale, der ikke stemmer overens med de af konstruktørens indikerede.
- En eventuel reparation af maskinen må kun udføres af konstruktionsfirmaet eller et autoriseret assistance center, og der må kun benyttes originale reservedele.
- Hvis disse normer ikke respekteres, kan maskinens sikkerhed ødelægges.
- Maskinen må ikke forblive under spænding, når den ikke anvendes.
- Opbevar ikke magnetiske genstande i nærheden af maskinen, da den derved kan tændes ved et uheld.

#### VIGTIGT:

- **Maskinen skal være udstyret med en perfekt jordforbindelse, som skal kontrolleres regelmæssigt.**

### 3.2 NORMAL SERVICE KÅR

Omgivende Temperatur : 40°Cmax 4°Cmin ( gennemsnit 30°C)

Højde : indtil 2000 meter-

Relativ humidity : max 30% henne ved max 90% henne ved 20°C

Befordre og Opbevaring : imellem -10°C og 55°C hos fred indtil 70°C ( max 24 h )

### 3.3 FARLIGE OMRÅDER

Definition af farlige områder og hvordan de tilkendes gives (se figuren på næste side) og en general beskrivelse af de benyttede beskyttelsesforholdsregler



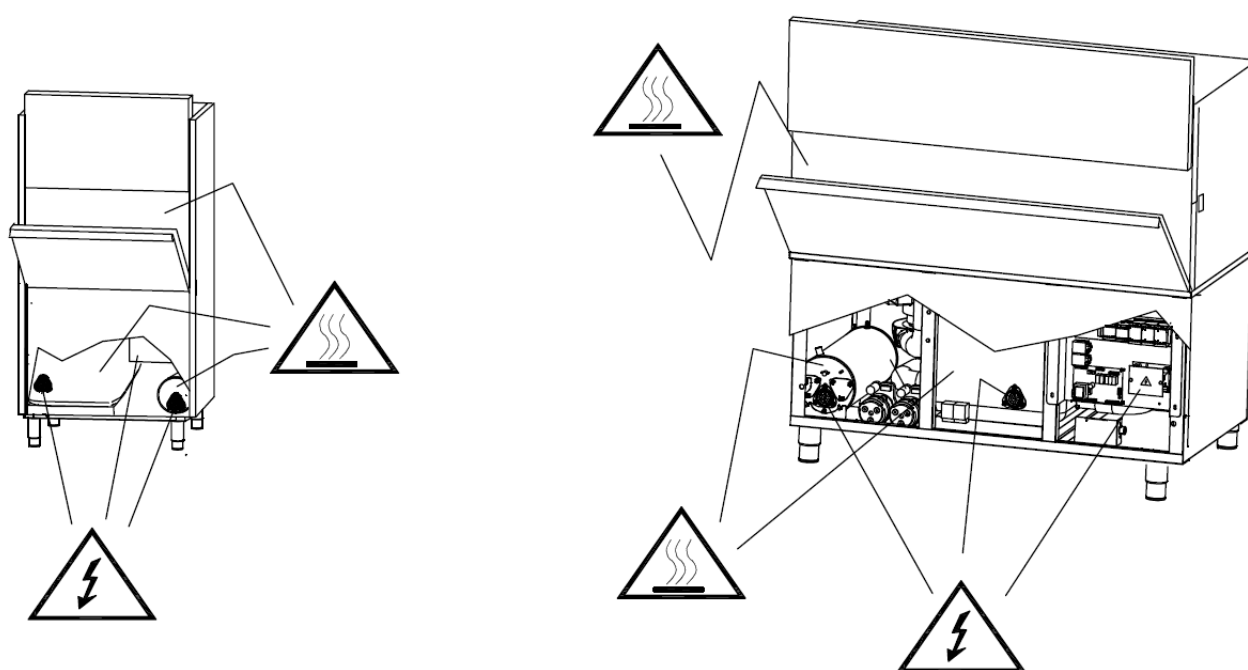
#### Farlig el-spænding.

- Den elektriske hovedtavle
- Elektropumpe
- Ventilator

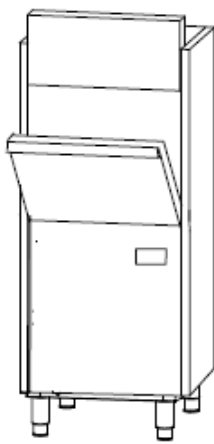


#### Fare af termisk natur

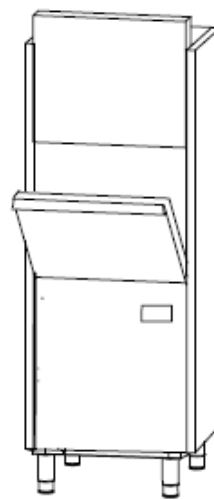
- Varme dele



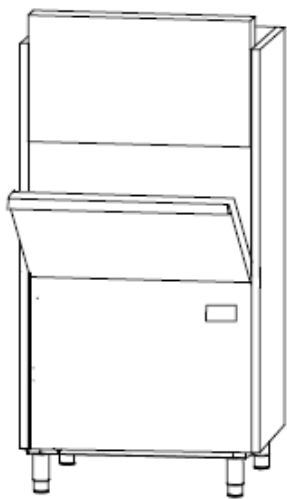
3.4 BRINGE I NIVEAU AKUSTIK PRES



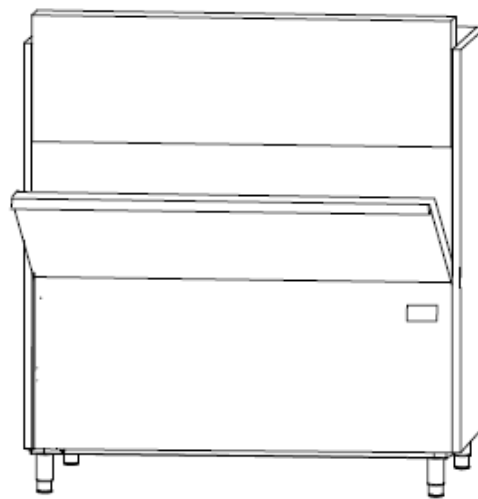
66 dB



66,8 dB



67,4 dB



74,3 dB

### 3.5 FEJLMEDDELELSER

#### **Gør følgende, hvis displayet viser:**

##### ***ER 01 Manglende skylning***

Når denne meddelelse vises på displayet, er skylningen ikke blevet gennemført korrekt. Det anbefales derfor at kontrollere, at sprøjtedyserne ikke er tilstoppede. Foretag derefter et nyt opvaskeprogram igen. Kontakt et autoriseret teknisk servicecenter, hvis problemet varer ved.

##### ***ER 02 Manglende tømning***

Når denne meddelelse vises på displayet, er vaskekammeret ikke blevet tømt korrekt. Sluk og tænd maskinen, og vælg tømningensprogrammet.

- Kontrollér, at overløbet er blevet fjernet fra vaskekammeret i forbindelse med tømningensprogrammet (for modeller med overløb). Foretag derefter på ny en tømning eller selvrengning. Kontakt et autoriseret teknisk servicecenter, hvis problemet varer ved.

##### ***ER 03 Manglende opvarmning***

Når denne meddelelse vises på displayet, er boilerens opvarmning ikke blevet gennemført korrekt. Sluk og tænd maskinen, og gentag det indstillede program. Kontakt et autoriseret teknisk servicecenter, hvis problemet varer ved.

##### ***Mærkelige lyde i forbindelse med opvarmning***

Varmelegemet er fuldstændig belagt med kalk eller salte fra vand med høj ledeevne. Udskift varmelegemet. Kontrollér maskinens vandrenser.

##### ***ER 04 Manglende fyldning af vaskekammer eller defekt sensor for vandniveau i vaskekammer***

Når denne meddelelse vises på displayet, er der opstået et problem i forbindelse med fyldning. Kontrollér følgende:

- Der er vand i systemet.
- Overløbet er indsat korrekt (for modeller med overløb).
- Vandkapaciteten og -trykket er egnet til maskinen.

Sluk og tænd maskinen uden at tømme vaskekammeret. Kontakt et autoriseret teknisk servicecenter, hvis problemet varer ved.

##### ***ER 05, ER 06 Defekt sensor for temperatur i vaskekammer***

Denne meddelelse vises, når sensoren for temperatur i vaskekammeret er defekt.

Er 05: Åben sensor

Er 06: Kortsluttet sensor.

Det anbefales at kontakte et autoriseret teknisk servicecenter.

##### ***ER 07, ER 08 Defekt sensor for temperatur i boiler***

Denne meddelelse vises, når sensoren for temperatur i boileren er defekt.

Er 07: Åben sensor

Er 08: Kortsluttet sensor.

Det anbefales at kontakte et autoriseret teknisk servicecenter.

**ER 09 Manglende fyldning af boiler eller defekt sensor for vandniveau i boiler**

Denne meddelelse vises, når boileren ikke fyldes korrekt. Maskinen blokeres for at hindre, at servicet ikke skylles jævnt.

- Kontrollér, at vandkapaciteten og -trykket er korrekt.
- Det anbefales at kontakte et autoriseret teknisk servicecenter.

**HIR b For høj skylletemperatur**

Denne meddelelse vises, når sensoren for temperatur i boileren registrerer en for høj temperatur.

Reducér den indstillede temperatur for boileren.

- Husk, at udløsning af sikkerhedsanordninger og signaleringer om for høj temperatur også kan skyldes, at maskinen er installeret i en højde på mere end 2.000 m. Det anbefales i dette tilfælde at reducere indstillingen for opvarmning, fordi vandets kogepunkt er lavere.

**HIW T For høj opvasketemperatur**

Denne meddelelse vises, når sensoren for temperatur i vaskekammeret registrerer en for høj temperatur.

Reducér den indstillede temperatur for vaskekammeret.

**SAFE Udløsning af sikkerhedstermostater**

Det anbefales at kontakte et autoriseret teknisk servicecenter

**KAP. 4 ANVENDELSE AF MASKINEN****4.1 OVERSIGT**

For nedenstående oversigt henvises til **Fig.1**:

<b>1</b>	<b>KNAPPEN ON/OFF</b>	<b>4</b>	<b>DISPLAY MED INFORMATIONER</b>
<b>2</b>	<b>KNAPPEN PROGRAMVALG</b>	<b>5</b>	<b>STATUSLAMPER</b>
<b>3</b>	<b>KNAPPEN START</b>		

**4.2 FUNKTIONSVALG**

1) Tryk på knappen **1 (fig. 1)** for at tænde maskinen.

Knappen **3** begynder at blinke, og maskinen begynder påfyldningen. Husk at indsætte overløbet og filtrene i vaskekammeret korrekt, og luk lågen.

Når påfyldningen er gennemført, begynder maskinen automatisk opvarmningen og indtager samtidigt den indstillede mængde opvaskemiddel.

2) Maskinen er klar til brug, når knappen **3** lyser grønt (**fig. 2**).

3) Vælg opvaskeprogrammets varighed ved hjælp af knappen **2 (fig. 3)**.

Tryk flere gange på knappen for at vælge 2-12 minutters programmet eller det automatiske rensesprogram CLS.

Det valgte program gemmes i hukommelsen indtil næste gang, maskinen skal bruges.

4) Åbn lågen, og isæt det service, der skal vaskes, som beskrevet i næste kapitel "4.3 Anbringelse af servicet". Luk derefter lågen, og start det valgte opvaskeprogram ved hjælp af knappen 3. Knappen lyser blå i forbindelse med opvask.

5) Maskinen udsender tre bip, og teksten "End" (fig. 5) vises, efter afslutning af opvaskeprogrammet. Åbn lågen, fjern kurven, og vent nogle sekunder, indtil alt service er tørt.

### 4.3 MASKINENS BRUG

For at mindske vedligeholdelsen **MEST MULIGT ANBEFALER VI EN FORRENGØRING** af servicet. Fjernelse af madrester, citronskaller, tandstikker og olivensten osv. som evt. kan tilstoppe elektropumpens filtre, forbedrer væsentlig kvaliteten af det endelige resultat.

Det anbefales at vaske servicet inden eventuelle madrester tørrer ind på overfladen. I tilfælde af indtørrede rester, er det anbefalelseverdigt at sætte servicet og bestikket i blød, inden det sættes i maskinen.

- Der hældes den ønskede mængde vaskemiddel i karret, idet fabrikantes anvisninger for produkte nøje overholdes

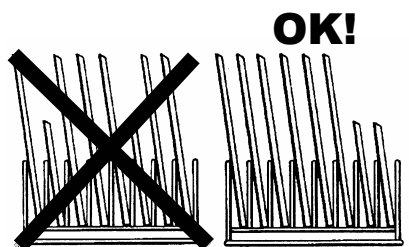
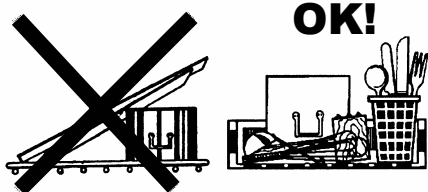
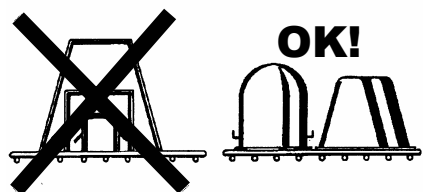
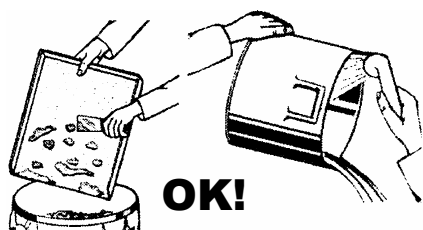
- Vaskemidlet, der benyttes, skal være af den lavtskummende slags til industriel brug.

- Læg ikke hænderne ubeskyttede ned i vaskeluden, sæt kopper og glas med bunden opad i kurvene. Placer tallerkner, kopper og glas med bunden opad i kurvene. Placer tallerknerne i den dertilhørende kurv med støttefingre, med indersiden opad .

- Sæt bestik og teskeer med grebet nederst.

- Sæt ikke sølvbestik og bestik i rustfritstål i samme bestikkurv, da dette medfører at sølvtøjet spoles og bestikket i rustfrit stål korroderes.

- Benyt kurve specielt udtænkt til de forskellige slags service (tallekner, glas, kopper, bestik, osv.). For at spare vaskemiddel og strømforbrug, vask kun med fyldte kurve, dog uden at overfylde dem.

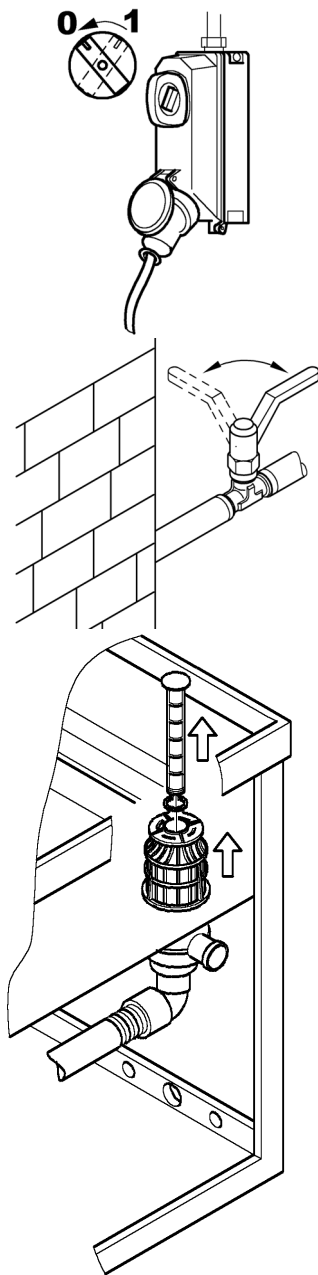


### 4.4 VED ENDT OPVASK

- Foretag et automatisk rensesprogram.

Vælg programmet **CLS** ved hjælp af knappen 2 (fig. 6). Fjern derefter filtrene og overløbet, luk lågen, og tryk på knappen 3.





- Efter tømning udfører maskinen to skylninger, hvorefter maskinen slukker automatisk.
- Fjern spændigen fra maskinen
- Åben døren og træk kurven med det rene service ud.
- Udled vandet fra kummen ved at fjerne flyderen. For modeller med vandudledningspumpe, følg "Brugs Instruktionerne".
- Afbryd general afbryderen.
- Luk den saracenske ventil for den hydrauliske forbindelse.
- Fjern filtrene, rens dem under løbende vand og med en nylon børste.
- Vær opmærksom på, at det snavs, der er efterladt på bunden af vandudlednings pumpens filter, ikke falder ned i kummen.

**NOTA: Vask ikke maskinen med vandkast eller med højtryksrens, idet eventuelle vandinfiltrationer, kan beskadige de elektriske komponenter, hvilket kan forhindre, at maskinen fungerer korrekt. Dette dækkes ikke af garantien.**

#### 4.5 AKTIVERING AF HALV VASK (KUN FOR TT924)

I tilfælde af at kun lidt service skal vaskes, er det muligt at aktivere "halv vask" funktionen. Herved spares der både energi, vand og opvaskemiddel.

- 1) Isæt det service, der skal vaskes, i den højre side af maskinen som vist (**fig. 7**).
- 2) Åbn lågen, og hold startknappen **3** trykket nede, indtil kontrollampen **M** (**fig. 8**) tænder.
- 3) Luk lågen, og start opvaskeprogrammet, som beskrevet i foregående kapitel.

4) Der vises et symbol i displayet i forbindelse med opvaskeprogrammet, der angiver, at kun halvdelen af maskinen er i brug.

## 4.6 TEMPERATURVISNING

Displayet **9** (*fig. 1*) viser altid skylletemperaturen. Hold knappen **4** trykket nede i nogle sekunder (*fig. 4*) for at vise opasketemperaturen og derefter antallet af udførte opvaskeprogrammer i maskinens driftslevetid.

## KAP. 5 VEDLIGEHOLDELSE

### 5.1 GENERELLE REGLER

Maskinerne er konstruerede for at reducere vedligeholdelses kravene. Reglerne, som følger, må i alle tilfælde respekteres for at garantere en lang holdbarhed og en drift uden vanskeligheder.

I alle tilfælde, må de generelle sikkerhedsregler respekteres for at holde maskinerne i perfekt stand:

- maskinen skal holdes ren og i orden
- undgå at provisoriske reparationer gentager sig

Overhold strengt reglerne for vedligeholdelse; alle maskinens dele skal periodemæssigt efterses for at undgå, at der opstår evt. anomalier.

**Inden start af rengøring, skal strømmen tages fra maskinen.**

---

## 5.2 PERIODISK VEDLIGEHOLDELSE (skal gennemføres mindst hver 20. dag)

For at lette følgende operationer, kan rammen, der holder kurvene, tages ud.

- Skil den øverste og den nederste skyllearm ad, ved at skrue komponenten indikeret med fra hinanden.
- Skru alle forstøverne af og gør dem rene. Sæt dem på plads igen.
- Skil den øverste og den nederste vaskearme ad ved at skrue skylleaksen ad, rens og skyld dem.
- Fjern vaskepumpens filter gør det rent og skyl det
- Dernæst skal vaskekarret gøres grundigt rent.
- Lad maskinens låg stå åbent under hele hvileperioden.
- Pga. kalk og magnesium indeholdt i vandet opstår der efter en vis periode-afhængig af vandets hårdhedsgrad en tilkalkning indvendigt i vandvarmerkarret og i rørene, som kan skade driften af maskinen.
- Derfor skal man sørge for en periodemæssig afkalkning, som ve anbefaler udføres af teknisk kvalificeret personale.
- I tilfælde-af at maskinen skulle henstå ubrugt i længere tid skal overfladerne i stål indsmøres i vaselineolie.
- Hvis der er fare for, at der kan opstå is, skal kvalificeret personale tilkaldes for at lede vandet ud, dels af kogeren, dels af vaske pompen.
- **I tilfælde af at maskinen fungerer dårligt eller der er opstået skader, skal De henvende Dem til et teknisk assistance center autoriseret af maskinens konstruktør eller en koncessionsindehaver.**



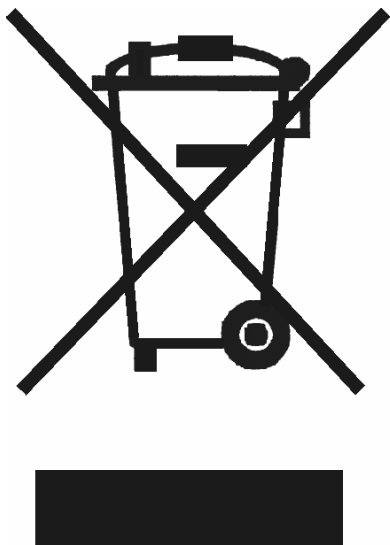
## KAP. 6 NEDTAGNING

### 6.1 NEDTAGNING AF MASKINEN

På vores maskiner findes intet materiale, der kræver en speciel procedure ved nedtagning.

### 6.2 KORREKT AFFALDSBORTSKAFFLES AF DETTE PRODUKT

(elektrisk & elektronisk udstyr)



Mærket på dette produkt medfølgende dokumentation betyder, at produktet ikke må bortskaffes sammen med almindeligt husholdningsaffald efter endt levetid. For at undgå skadelige miljø- eller sundhedspåvirkninger på grund af ukontrolleret affaldsbortskaffelse skal dette produkt bortskaffes særskilt fra andet affald og indleveres behørigt til fremme for bæredygtig materiale genvinding.

Hjemmebrugere bedes kontakte forhandleren, hvor de har købt produktet, eller den lokale myndighed for oplysning om, hvor og hvordan de kan indlevere produktet med henblik på miljøforsvarlig genvinding.

Erhvervsbrugere bedes kontakte leverandøren og læse betingelserne og vilkårene i købekontrakten. Dette produkt bør ikke bortskaffes sammen med andet erhvervsaffald.

**HAKEMISTO**

<b>LUKU 1 ESIPUHE .....</b>	<b>3</b>
<b>LUKU 2 ASENNUS .....</b>	<b>3</b>
2.1 SIIRTÄMINEN JA PAKKAUKSESTA PURKAMINEN .....	3
2.2 SÄHKÖLIITÄNTÄ.....	4
2.3 VESILIITÄNTÄ .....	4
2.4 VIEMÄRILIITÄNTÄ.....	5
2.5 ERI ASETUKSIA .....	5
2.6 LÄMPÖTILAN JA ANNOSTELIJOIDEN SÄÄTÖ .....	6
<b>LUKU 3 TURVASUOSITUKSET .....</b>	<b>7</b>
3.1 MUITA RISKEJÄ JA VAROITUKSIA.....	7
3.2 TAVANMUKAINEN ASEPALVELUS OLOSUHTEET .....	7
3.3 VAARALLISET ALUEET .....	8
3.4 LAAKEA AKUSTINEN PAINEN .....	9
3.5 VIRHEVIESTIT.....	10
<b>LUKU 4 KONEEN KÄYTTÖ.....</b>	<b>11</b>
4.1 SELITYKSET .....	11
4.2 TOIMINTOJEN VALINTA.....	11
4.3 LAITTEEN KÄYTTÖ.....	12
4.4 KÄYTÖN JÄLKEEN .....	13
4.5 PUOLITÄYTTÖOHJELMAN PÄÄLLEKYTKENTÄ (AINOASTAAN TT924) .....	13
4.6 LÄMPÖTILAN NÄYTTÖ.....	14
<b>LUKU 5 KUNNOSAPITO .....</b>	<b>14</b>
5.1 YLEISTÄ .....	14
5.2 MÄÄRÄAIKAINEN HUOLTO (suoritettava vähintään joka 20. päivä).....	14
<b>LUKU 6 HÄVITTÄMINEN .....</b>	<b>16</b>
6.1 ASTIANPESUKONEEN HÄVITTÄMINEN .....	16
6.2 TÄMÄN TUOTTEEN TURVALLINEN HÄVITTÄMINEN .....	16

---



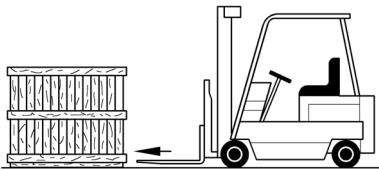
## LUKU 1 ESIPUHE

Tämä opas sisältää tärkeitä ohjeita koskien asennuksen, käytön ja huollon eri vaiheiden turvallisuutta.

Laitekäyttäjällä on velvollisuus tutustua tähän oppaaseen ennen minkään siirto-, asennus-, käyttö-, huolto- tai käytöstä poistamistoimenpiteen suorittamista; on siis tärkeää säilyttää opas kokonaisuudessaan varmassa paikassa koko laitteen käyttöajan ja ottaa oppaasta mahdollisia kopioita usein tapahtuvaa oppaan käyttöä silmälläpitäen.

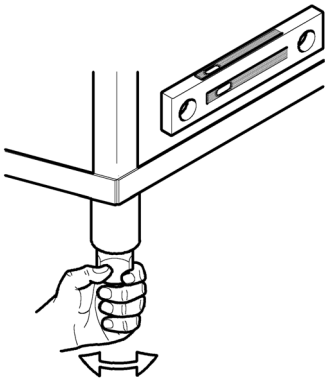
## LUKU 2 ASENNUS

### 2.1 SIIRTÄMINEN JA PAKKAUKSESTA PURKAMINEN



- Laitteen siirtäminen tulee suorittaa erittäin huolellisesti haarukkatrukin avulla.
- Tarkista laitteen eheys ja mikäli siinä on havaittavissa vaurioita, ota välittömästi yhteys laitteen myyjään ja kuljetuksen suorittaneeseen yritykseen. Mikäli et ole varma laitteen kunnosta, älä ota sitä käyttöön ennen kuin ammattitaitoinen henkilö on sen tarkastanut.
- Kuljeta laite sen asentamiseen varattuun tilaan ja pura laite pakkauksesta.

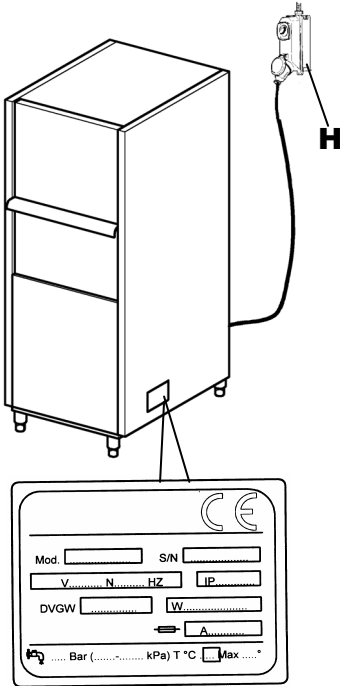
**Pakkausmateriaaleja (muovipussit, styrox-levyt, naulat, jne.) ei saa jättää lasten ulottuville niiden sisältämän vaaran vuoksi.**




- Asennus tulee suorittaa laitevalmistajan ohjeiden mukaan ja ammattitaitoisen henkilön toimesta.
- Tätä laitetta saa käyttää ainoastaan kiinteässä asennuksessa.
- Sijoita laite sille varattuun paikkaan ja huolehdi siitä, että se on täysin suorassa säätämällä tukijalkoja.
- Lattiatason pitää kyetä kantamaan laitteen kokonaispaino.
- Noudattaen asennuskaaviossa annettuja ohjeita, järjestä pesukoneen asennustilan sähkön ja veden jakelu ja viemäröinti.



## 2.2 SÄHKÖLIITÄNTÄ



1. Verkkoon liitäntä tulee suorittaa pääkatkaisimen välityksellä (H) pääkatkaisimen pitää olla moninapaliitin, joka kytkee irti kaikki koskettimet, myös nollaliittimen ja jossa avointen liittimien välinen etäisyys vähintään 3 mm, varustettu magnetotermisellä turvakytkimellä tai kytketty sulakkeisiin, jotka kykenevät kestäämään tyyppikilvessä osoitetun maksimivirran.
2. Varmistu siitä, että sähköverkon virran jännite ja taajuus vastaavat laitteen tekniset ominaisuudet sisältävässä, laitteen oikealle sivulle kiinnitettyssä tyyppikilvessä osoitettuja arvoja.
3. Voimassa olevien turvamääräysten mukainen tehokas maattokytkeä takaa laitekäyttäjän ja laitteiston turvallisuuden.
4. On ehdottomasti kiellettyä käyttää sovittimia, monijakopistorasioita ja jatkojohtoja.
5. Koneiston täytyy sitäpaitsi sisältyä ekvipotentiaalinen systeemiin, jonka yhteys järjestetään yhden ruuvin,  tunnistettu symbolilla. Ekvipotentialin johdolla täytyy olla 10 mm<sup>2</sup> osa.



Laitteen mukana toimitettava virran syöttöjohto voidaan korvata ainoastaan H07RN-F-tyyppisellä johdolla, jossa sama poikkileikkaus.

Lisätietoja saa liitteenä olevasta sähkökaaviosta.

## 2.3 VESILIITÄNTÄ

Valmisteleva tila liitteenä toimitetun vesiliitäntäkaavion vaatimukset täyttäväksi.

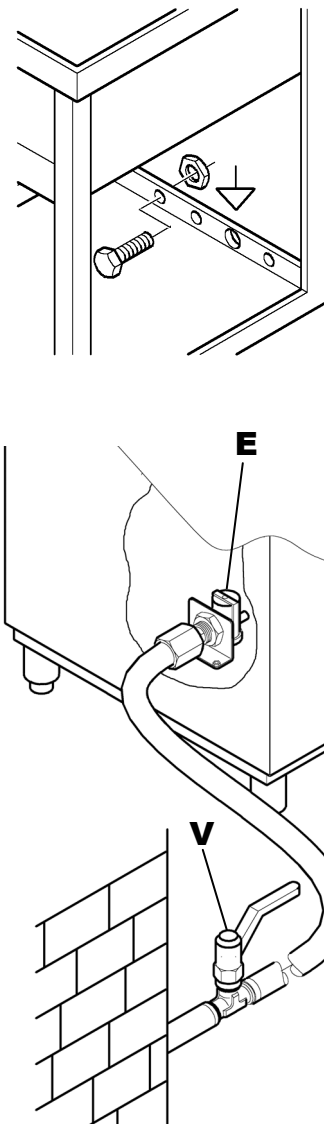
Ennen laitteen liittämistä vesijohtoverkkoon varmistu siitä, että vesijohtoverkon ja laitteen välille on asennettu sulkuventtiili, jonka avulla veden syöttö voidaan keskeyttää tarpeen vaatiessa tai korjausten ajaksi.

Liitä joustavan letkun avulla syötön elektroniventtiili (E) sulkuventtiiliin (V) ja varmistu siitä, että virtauskapasiteetti on vähintään 20 litraa minuutissa.

**Varmistu siitä, että syöttöveden lämpötila ja paine vastaa tekniset ominaisuudet osoittavassa kilvessä esitetyt arvoja.**

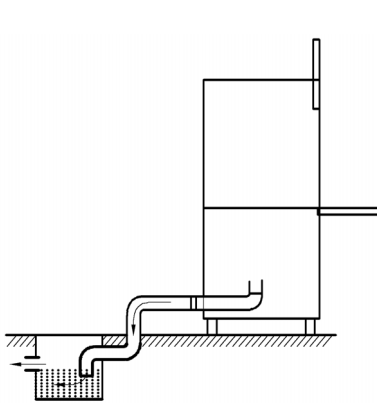
Mikäli veden kovuusaste on suurempi kuin on osoitettu taulukossa, on suositeltavaa asentaa kalkinpoistolaitte laitteen vedensyöttöpuolen elektroniventtiilin yläpuolelle.

Mikäli veden jäljellejäävien mineraalien pitoisuus on erittäin korkea, on suositeltavaa asentaa kalibroitu mineraalinpoistolaitteisto, jotta saadaan aikaan seuraavassa taulukossa osoitettu veden kovuus.





	Ominaisuudet		Alkaen	Saakka
Kovuus	Ranskalaiset asteet	f	5	10
	Saksalaiset asteet	°dH	4	7'5
	Englantilaiset asteet	°e	5	9,5
	Miljoonasosia	ppm	70	140
Jäännösmineeraalit	Maksimi	mg/l	300/400	



## 2.4 VIEMÄRILIITÄNTÄ

Altaan tyhjennys tapahtuu painovoiman avulla, jonka vuoksi viemärointi tulee sijoittaa laitteen alustaa alemmalle tasolle.

Tyhjennysputki pitää liittää joustavan letkun avulla viemärikaivoon tai lattiaan sijoitettuun lapolla varustettuun lattiakaivoon.

Laitteen tyhjennysputkiston mitat on osoitettu liitteenä toimitetussa asennuskaaviossa.

## 2.5 ERI ASETUKSIA

Avaa teknisten asetusten päävalikko.

Toimi ohjeiden mukaan (**kuva 1**).

- Avaa luukku tai kupu.
- Paina näppäintä **2** ja **3** (ohjelman valinta ja käynnistys) yhtä aikaa viiden sekunnin ajan.
- Kun painat useita kertoja virtakytkintä **1**, voit valita kohdat seuraavassa järjestyksessä. Voit ottaa käyttöön tai muuttaa parametrejä näppäimellä **2** ja **3**.
- Poistu ja tallenna uudet asetukset painamalla virtakytkintä **1** muutaman sekunnin ajan.

**LANGUAGE:** kielen valinta

**THERMOSTOP:** thermostop-toiminnon poiskytkentä

**ENERGY SAVING:** energiansäästötoiminnon päällekytkentä

**PREHEATING:** laitteen pikalämmityksen päällekytkentä

**DETERGENT PUMP:** Pesuaineannostelijan jatkuva päällekytkentä. Pidä näppäintä **3** painettuna täyttääksesi pesuaineannostelijan. Lisää pesuainetta, kunnes imuputki on täysi.

**RINSE AID PUMP:** Huuhtelukirkasteannostelijan jatkuva päällekytkentä. Pidä näppäintä **3** painettuna täyttääksesi huuhtelukirkasteannostelijan. Lisää huuhtelukirkastetta, kunnes imuputki on täysi.

**DOSAGE TIME DURING WASHING:** Pesuaineannostelijan päällekytkentäajan ja pesutilan pesuainemäärän säätö. Käynnistysaikaa lisätään tai vähennetään näppäimellä **2** ja **3**.

**RINSE PRODUCT:** Huuhtelukirkasteannostelijan päällekytkentäajan ja käytettävän huuhtelukirkastemäärän säätö. Käynnistysaikaa lisätään tai vähennetään näppäimellä **2** ja **3**.

**DRAIN PUMP:** järjestelmä, jota ei voida asentaa tähän laitteeseen.

**WATER SOFTENER:** järjestelmä, jota ei voida asentaa tähän laitteeseen.

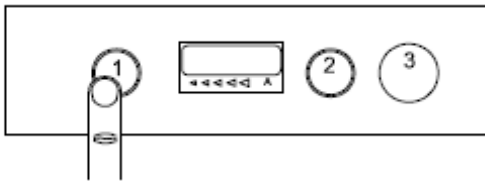
**EXTERNAL SOFTENER CYCLES:** Ulkoinen vedenpehmentin. Jos laitteeseen kuuluu ulkoinen vedenpehmentin, laitteeseen asetetaan pesuohjelmien määrä, jonka jälkeen se ilmoittaa viestillä huollon tarpeesta.

**CYCLE COUNTER:** laitteen suorittamien täydellisten ohjelmien määrä.

## 2.6 LÄMPÖTILAN JA ANNOSTELIJOIDEN SÄÄTÖ

### - Lämpötilan säätö:

Kun pidät virtakytkimen **1** painettuna muutaman sekunnin ajan, näytölle ilmaantuu kirjoitus A BOILER SET TEMPERATUR. Voit kasvattaa tai vähentää boilerin asetuslämpötilaa näppäimellä **2** ja **3**.



Kun painat virtakytkintä **1** useita kertoja, näytölle ilmaantuu kirjoitus B TANK SET TEMPERATUR. Jos malliin kuuluu ruokailuvälineiden pesuohjelma, voit säätää ruokailuvälineohjelman lämpötilan painamalla virtakytkintä **1** uudelleen. Näytölle ilmaantuu kirjoitus C FLATWARE.

Voit muuttaa pesulämpötilaa näppäimellä **2** ja **3**.

Poistu tilasta pitämällä virtakytkintä **1** painettuna.

Huom:

sammuta ja käynnistä laite uudelleen painamalla useita kertoja virtakytkintä **1**.

### - Pesuaineannostelijoiden säätö

**Huomio:** pesuaineen tulee olla teollisuustyyppiä, nestemäistä ja vähän vaahtoavaa.

Avaa teknisten asetusten päävalikko luvun 2.5 mukaan. Selaa näppäimellä **1** kohtaan DOSAGE TIME DURING WASHING asti. Näytetty aika vastaa pesuaineannostelijan käynnistysaikaa ohjelman pesuvaiheen aikana. Voit muuttaa aikaa näppäimellä **2** ja **3**. Poistu tilasta painamalla näppäintä **1**, kunnes viivat näkyvät näytöllä. Asetettu aika lisätään alussa suoritettavaan vedentäyttöaikaan.

Sähköisen pesuaineannostelijan virtausnopeus on 3 l/h.

Muista, että pesuainemäärä saattaa vaihdella säiliön kilven ilmoituksen mukaan välillä 2 - 4 g/l vedenkovuuden vaihdeltaessa välillä 5 - 10°F (ranskalaiset asteet).

### - Huuhtelukirkasteannostelijoiden säätö

Avaa teknisten asetusten päävalikko luvun 2.5 mukaan. Selaa näppäimellä **1** kohtaan RINSE AID PUMP asti. Näytetty aika vastaa huuhtelukirkasteannostelijan käynnistysaikaa pesuohjelman lopussa. Voit muuttaa aikaa näppäimellä **2** ja **3**. Poistu tilasta painamalla näppäintä **1**, kunnes viivat näkyvät näytöllä. Asetettu aika lisätään alussa suoritettavaan vedentäyttöaikaan.

Sähköisen huuhtelukirkasteannostelijan virtausnopeus on 0,4 l/h.

## LUKU 3 TURVASUOSITUKSET



### 3.1 MUITA RISKEJÄ JA VAROITUKSIA

- Älä koskaan avaa laitteen luukkua nopeasti ellei kierros ole loppu.
- Paljaita käsiä ei saa koskaan upottaa pesun livokseen.
- Älä milloinkaan poista laitteen suojalevyjä ennen kuin olet kytkenyt laitteen irti sähköverkosta.
- Ammattimiehellä, joka suorittaa asennuksen ja sähköyhteyden, on velvollisuus opettaa käyttäjää käyttämään konetta ja tutustumaan käytettäviin turvaohjeisiin.
- Asentajan täytyy myös esittää käyttäjälle käytännössä kuinka konetta käytetään ja luovuttaa kirjalliset ohjeet, jotka annetaan koneen mukana.
- **Laitetta saa käyttää vain sen oikeaan käyttötarkoitukseen. Kaikki muu käyttö katsotaan virheelliseksi ja mahdollisesti vaaralliseksi.**
- Kouluttamaton henkilökunta ei saa käyttää laitetta.
- Älä käytä KOSKAAN konetta ilman suojausta (mikrokosketukset, panelit tai muut) jonka rakentaja on edeltäpäin määrännyt jos läsnä ei ole ammattimiestä jotka ottaa tilanteen hallintaan.
- Älä käytä KOSKAAN koneetta sellaisten saineiden pesuun, joitten muoto, laji, koko tai aine ei ole sopiva rakentajan määräyksen mukaisesti.
- Mahdollinen tuotteen korjaus suoritetaan vain valmistuspaikassa tai valtuutetussa huoltokeskuksessa käyttäen yksinomaan alkuperäisiä
- Mikäli yllämainittuja ohjeita ei noudateta, saattaa astianpesukonen käyttöturvallisuus vaarantua.
- Astianpesukoneen virta on katkaistava kun laite ei ole käytössä.
- Älä aseta magneettisia esineitä laitteen lähelle, ettei se käynnisty tahattomasti.

#### TÄRKEÄÄ:

- **Laite tulee maadoittaa asianmukaisesti. Maadoitus tulee tarkistaa määräajoin.**

### 3.2 Tavanmukainen asepalvelus olosuhteet

**Ympäröivä Kuume : 40°Cmax 4°Cmin ( määrätä keskiarvo 30°C)**

**Korkeus : ennen kuin 2000 metri-**

**Omainen kosteus : max 30% aikaa max 90% aikaa 20°C**

**Kiihko ja Muisti : kesken -10°C ja 55°C avulla järjestys ennen kuin 70°C ( max 24 h)**

### 3.3 VAARALLISET ALUEET

Vaarallisten alueiden määrittely, vaaran ilmeneminen (kts. kuvaa seuraavalla sivulla) ja yleisesitykset sovelletuista suojausmenetelmistä.



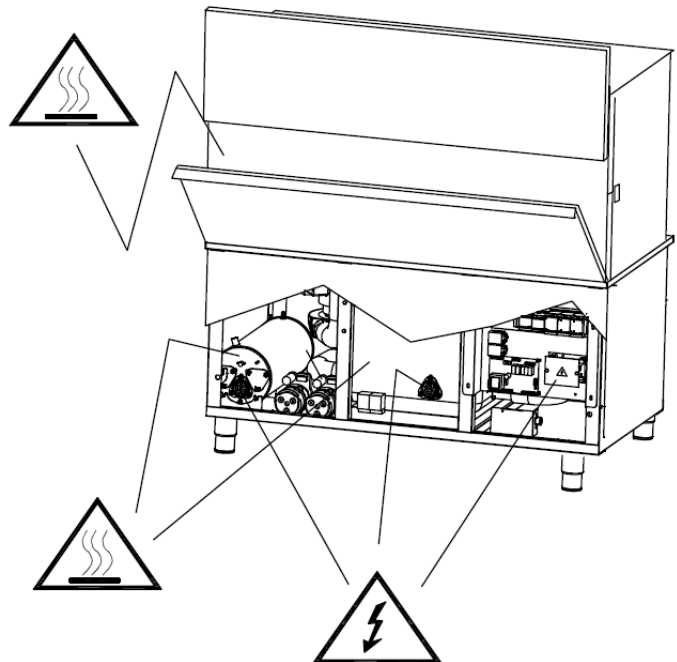
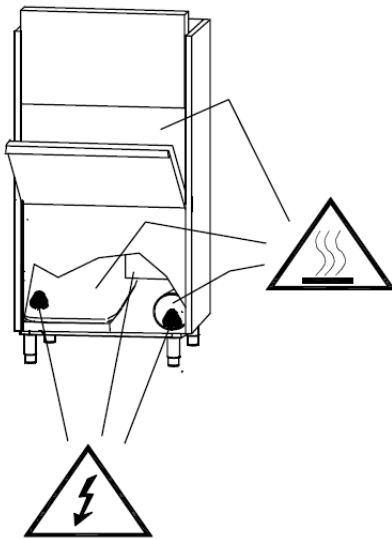
#### **Korkeajännitevaara.**

- Pääsähkötaulussa
- Sähköpumpuissa
- Tuulettimessa

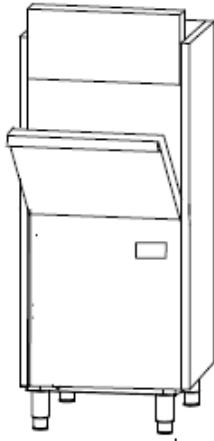


#### **Korkea lämpötila**

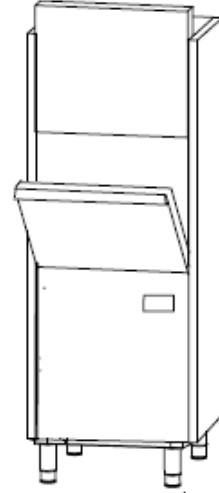
- Kuuma osia



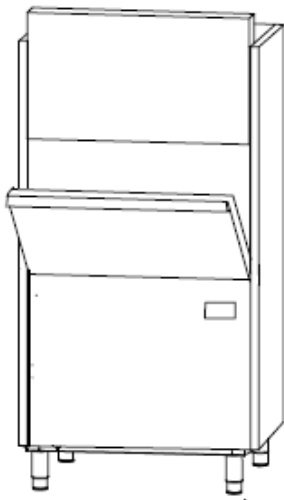
3.4 LAAKEA AKUSTINEN PAINE



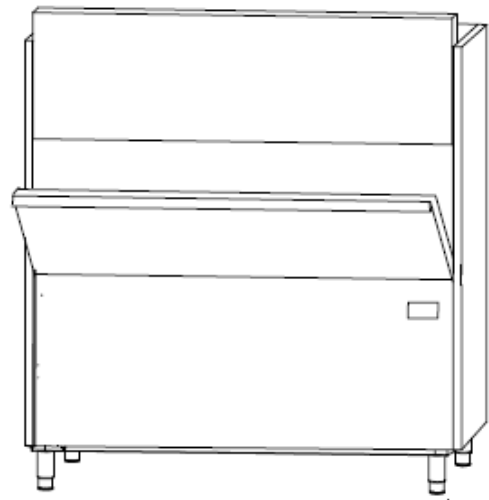
66 dB



66,8 dB



67,4 dB



74,3 dB

**Mitä tehdä, jos näytöllä näkyy:****ER 01 Ei huuhtelua**

Jos näytöllä näkyy tämä viesti, huuhtelua ei ole suoritettu oikein. Tarkista, etteivät huuhtelutarvikkeet ole tukossa ja suorita uusi pesuohjelma. Ota yhteys valtuutettuun huoltokeskukseen, jos ongelma toistuu.

**ER 02 Ei vedenpoistoa**

Jos näytöllä näkyy tämä viesti, pesutilasta ei ole poistettu vettä oikein.

Sammuta ja käynnistä laite uudelleen. Valitse vedenpoisto ja:

- Tarkista, että ylivuotosuoja on poistettu pesutilan poistoaukosta vedenpoiston ajaksi (ylivuotosuojalla varustetut mallit). Suorita uusi vedenpoisto tai itsepuhdistusohjelma. Ota yhteys valtuutettuun huoltokeskukseen, jos ongelma toistuu.

**ER 03 Ei lämmitystä**

Kun näytöllä näkyy tämä viesti, boilerin lämmitys ei tapahdu oikein. Sammuta ja käynnistä laite ja suorita asetettu ohjelma uudelleen. Ota yhteys valtuutettuun huoltokeskukseen, jos ongelma toistuu.

**Poikkeavia ääniä lämmityksen aikana**

Vastuksessa on erittäin johtavasta vedestä muodostuneita kalkki- tai suolakerääntymiä. Vaihda vastus. Tarkista laitteen vedenpehmentimen toiminta.

**ER 04 Pesutila ei täyty vedellä tai pesutilan veden tasoanturi on rikkoutunut.**

Kun näytöllä näkyy tämä viesti, vedentäytössä on ongelma.

Tarkista, että:

- vesiverkossa on vettä
  - ylivuotosuoja on asetettu oikein (ylivuotosuojalla varustetut mallit)
  - veden virtausnopeus ja paine soveltuvat laitteelle.
- Sammuta ja käynnistä laite tyhjentämättä pesutilaa. Ota yhteys valtuutettuun huoltokeskukseen, jos ongelma toistuu.

**ER 05 ; ER 06 Pesutilan lämpötila-anturin rikkoutuminen**

Kun näytöllä näkyy tämä viesti, pesutilan lämpötila-anturi on rikkoutunut.

Er 05: anturi auki.

Er 06: anturi oikosulussa.

Ota yhteys valtuutettuun huoltokeskukseen.

**ER 07 ; ER 08 Boilerin lämpötila-anturin rikkoutuminen**

Kun näytöllä näkyy tämä viesti, boilerin lämpötila-anturi on rikkoutunut.

Er 07: anturi auki.

Er 08: anturi oikosulussa.

Ota yhteys valtuutettuun huoltokeskukseen.

**ER 09 Boileri ei täyty vedellä tai boilerin tasoanturi on rikkoutunut.**

Kun näytöllä näkyy tämä viesti, boileria ei ole täytetty oikein vedellä. Laite pysähtyy, jotta astioiden heikko huuhtelu vältetään.

- Tarkista, että veden virtausnopeus ja paine ovat oikeat.  
Ota yhteys valtuutettuun huoltokeskukseen.

**HIR b Liian korkea huuhtelulämpötila**

Kun näytöllä näkyy tämä viesti, boilerin lämpötila-anturi on havainnut liian korkean lämpötilan. Vähennä boilerin asetuslämpötilaa.

- Muista, että suojalaitteiden laukeaminen ja korkean lämpötilan merkinannot saattavat johtua myös laitteen asennuksesta yli 2 000 m korkeudelle meren pinnasta. Vähennä tässä tapauksessa kaikkia lämmitysasetuksia, sillä veden kiehumispiste laskee.

**HIW T Liian korkea pesulämpötila**

Kun näytöllä näkyy tämä viesti, pesutilan lämpötila-anturi on havainnut liian korkean lämpötilan. Vähennä pesutilan asetuslämpötilaa.

**SAFE Suojatermostaattien laukeaminen**

Ota yhteys valtuutettuun huoltokeskukseen

**LUKU 4 KONEEN KÄYTTÖ****4.1 SELITYKSET**

Katso **Kuvaa1** jossa näkyvät:

1	PAINIKE ON/OFF	4	NÄYTTÖ TIETOJA
2	PAINIKE OHJELMIEN VALINTA	5	AIKAPALKKI
3	PAINIKE START		

**4.2 TOIMINTOJEN VALINTA**

1) Käynnistä laite painamalla virtakytkintä **1 (kuva 1)**.

Näppäimen **3** merkkivalo alkaa vilkkua ja laite aloittaa vedentäytön. Muista asettaa ylivuotosuoja ja sihdit oikein pesutilaan ja sulje luukku.

Kun laitteen vedentäyttö on suoritettu, laite aloittaa lämmityksen automaattisesti ja imee samalla asetetun pesuainemäärän.

2) Laite on käyttövalmis, kun näppäimen **3** merkkivalo on vihreä (**kuva 2**).

3) Valitse pesuohjelman aika tarpeen mukaan näppäimellä **2 (kuva 3)**.

Voit valita vuorotellen noin 2 - 12 minuutin pesuohjelmia ja itsepuhdistusohjelman CLS. Valittu ohjelma jää muistiin seuraavia käyttökertoja varten.

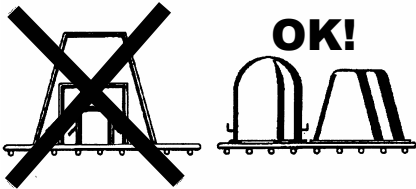
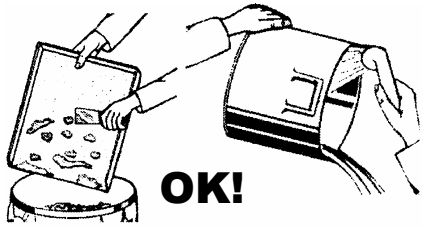
4) Avaa luukku ja aseta pestävät astiat seuraavan luvun 4.3 Astioiden asetus mukaan. Sulje luukku ja käynnistä valittu pesuohjelma näppäimellä **3**. Pesun aikana näppäimen merkkivalo on sininen.

5) Kun pesuohjelma päättyy, laitteesta kuuluu kolme merkkiääntä ja näytölle ilmaantuu kirjoitus **End (kuva 5)**. Avaa luukku, vedä kori ulos ja odota muutama sekunti, että kaikki astiat kuivuvat asianmukaisesti.

### 4.3 LAITTEEN KÄYTTÖ

Vähentääksenne mahdollisimman paljon laitteelle suoritettavia huoltotoimia, **SUOSITTELEMME ESIPESUN SUORITTAMISTA** lautasille. Sähköpumpun suodatinta mahdollisesti osittain tukkivien ja siten laitteen tehoa heikentävien ruuan tähteiden, sitruunan kuorien, hammastikkujen, oliivin kivien jne. poistaminen parantaa oleellisesti lopputuloksen laatua.

**On suositeltavaa pestä astiat ennen kuin ruuan tähteet ennättävät kuivua niiden pinnalle. Mikäli astioissa on kovettuneita ruokatahroja, on syytä suorittaa astioiden liotus ennen astioiden ja aterimien panemista koneeseen.**



- Valmistajan ohjeita noudattaen pankaa pesualtaasen oikea määrä pesuainetta.

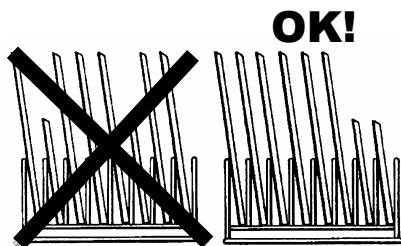
- Pesuaineen tulee olla matalavaahtoista ja teolliseen pesuun tarkoitettua.

- Älkää upottako paljaita käsiä pesuveteen, asettakaa kupit ja lasit alassuin koreihin. Asettakaa lautaset niille tarkoitettuun tukikannattimilla varustettuun koriinn sisäpinta ylöspäin.

- Asettakaa aterimet ja kahvilusikat kahva alaspäin.

- Älkää panko hopeisia ja teräksisiä aterimia samaan aterinkoriin. Siitä saattaa aiheutua hopean tummuminen ja mahdollisesti ruostumattoman teräksen syöpyminen. Milloin vain mahdollista, peskää lasit ja lasilautaset ensimmäisinä.

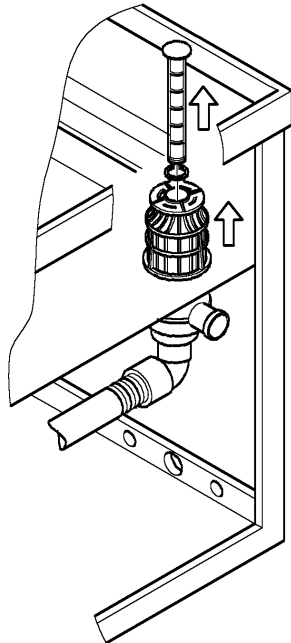
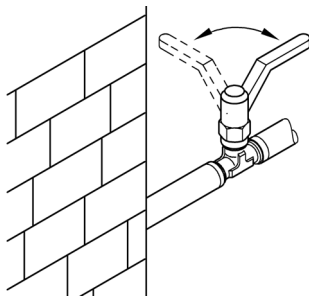
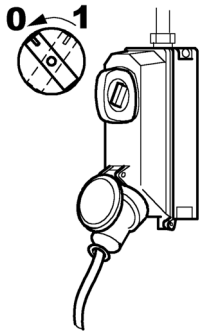
- Käyttäkää erityisiä koreja, jotka on vartavasten suunniteltu erityyppisille astioille (lautaset, lasit, kupit, aterimet jne.) Säästääkseen pesuainetta ja sähköä, peskää vain täysiä korillisia kuitenkin täyttämättä niitä liian täyteen. Välttäkää panemasta astoita päällekkäin.





#### 4.4 KÄYTÖN JÄLKEEN

- Suorita itsepuhdistusohjelma.
- Valitse ohjelma **CLS** näppäimellä **2 (kuva 6)** ja poista suodattimet ja ylivuotosuoja, sulje luukku ja paina näppäintä **3**.
- Kun laite on poistanut veden, se suorittaa kaksi huuhteluohjelmaa. Niiden jälkeen laite sammuu automaattisesti.
- Poistaa painetta koneesta virrankatkaisutoiminnalla
- Avaa luukku ja nosta ulos kori jossa puhtaat astiat ovat.
- Poistaa altaan vesi nostaan ylisyöksykelluke. Poistopumpun mallissa noudatetaan selitettyä toimitusta " Käyttö ohjeen " pykälässä.
- Irroittaa päävirrankatkaisin koneesta.
- Sulkea sulkuventtiili hydraulisen yhteyden takia.
- Poistaa suodattimet, puhdistaa ne juoksevassa vedessä nailon harjalla.
- Ottaa huomioon ettei saa tippua poistopumppuun likaista jätettä puhdistettaessa altaan sisällä pohjalla devan poistopumpun suodatinta. Puhdistaa allas hillityllä veden heitolla. Pestä ulkopinnat kune ovat kylmiä, ei hiomistuoteilla vaan erikoisesti valmistetuilla tuoteilla teräksen kunnossa pitämiseen.



**HUOMAUTUS:** Ei saa pestä konetta suora heitoilla tai korkealla paineella koska mahdolliset tunkeutumiset sähkö osille voivat vahingoittaa koneen toimintaa ja jokaista turvasysteemiä, seuraksena on takuun menetys

#### 4.5 PUOLITÄYTTÖOHJELMAN PÄÄLLEKYTKENTÄ (AINOASTAAN TT924)

Voit kytkeä päälle puolitäyttötoiminnon. Se on hyödyllinen, kun pestäviä astioita on vähän. Säästät energiaa, vettä ja pesuainetta.

- 1) Aseta pestävät astiat laitteen oikealle puolelle kuvan mukaan (**kuva 7**).

- 2) Avaa luukku ja pidä käynnistysnäppäintä **3** painettuna, kunnes merkkivalo **M (kuva 8)** syttyy.
- 3) Sulje luukku ja käynnistä pesu edellisen luvun ohjeiden mukaan.
- 4) Pesun aikana näytölle ilmaantuu symboli, joka osoittaa, että käynnissä on ainoastaan puolet laitteesta.

## 4.6 LÄMPÖTILAN NÄYTTÖ

Huuhtelulämpötila näkyy kaiken aikaa näytöllä **9 (kuva 1)**. Paina näppäintä **4** muutaman sekunnin ajan (**kuva 4**) asettaaksesi näytölle pesulämpötilan ja sen jälkeen laitteen käyttöikänsä aikana suorittamien pesuohjelmien määrän.

## LUKU 5 KUNNOSAPITO

### 5.1 YLEISTÄ

Astianpesukoneet joissa on astiarata on suunniteltu siten että huolto olisi mahdollisimman yksinkertaista.

Seuraavia ohjeita seuraamalla voi pidentää pesukoneen käyttöikää ja häiriövapaata toimintaa.

astianpesukone on syytä pitää puhtaana ja osat järjestyksessä

on vältettävä tilapäisiä, hätäisiä korjaustoimenpiteitä

Kausittaiset huollot on syytä suorittaa tunnollisesti laitteen osat on tarkastettava säännöllisesti jotta mahdolliset häiriöihin johtavat ongelmat voidaan paikallistaa ja ryhtyä toimenpiteisiin.

**Ennen puhdistustoimintaa irroitetaan sähkövirta koneesta.**

### 5.2 MÄÄRÄAIKAINEN HUOLTO (suoritettava vähintään joka 20. päivä)

helpotaakseen seuraavia toimituksia voi ottaa pois korikantajan kehyksen omasta paikastaan.

- Purkaa ylä- ja alahuuhtelun vipu ruuvaten auki kiinnitys.
- Kiertää auki ja puhdistaa kaikki suihkusuuttimet ja asentaa ne jälleen paikalleen.
- Purkaa ylä- ja alapesun vipu ruuvaten auki huuhtelun tappi. Puhdistaa ja huuhdella ne.

- Irrottaa pesupumpun suodatin. Pestä ja huuhdella suodatin.
- Tämän jälkeen puhdistaa erittäin huolellisesti pesuallas.
- Jättää laitteen kansi auki koko ajaksi jolloin laite on käyttämättömänä.
- Veden sisältämien kalkkisuolojen ja magnesiumin johdosta, laitteen oltua toiminnassa jonkin aikaa, käytetyn veden kovuudesta riippuen lämmittimen altaan ja putkiston sisäosiin muodostuu kalkkikarstaa, joka saattaa haitata laitteen asianmukaista toimintaa.
- Tästä syystä on tarpeen ajoittain suorittaa kalkkikarstan poisto, joka suositellaan annettavaksi teknisesti ammattitaitoisen henkilökunnan suoritettavaksi.
- Mikäli laite on poissa käytöstä pitkiä aikoja voidelkaa teräsosat vaseliiniöljyllä.

Mikäli on olemassa jäätymisen vaara, antakaa teknisesti ammattitoisen henkilökunnan tyhjentää vesi lämmittimestä ja pesupumpusta.



- **Laitteen toimintahäiriön tai vikojen sattuessa, kääntykää yksinomaan laitevalmistajan tai sen myyjäliikkeen valtuuttaman laitekorjaamon.**

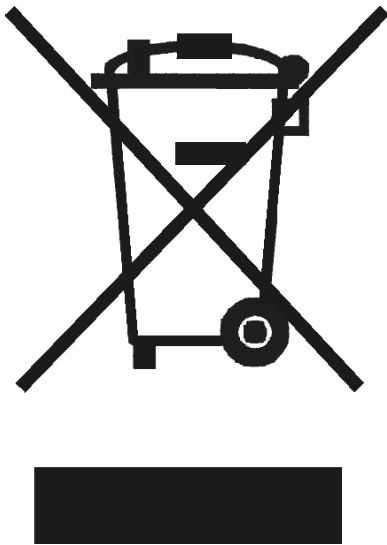
## LUKU 6 HÄVITTÄMINEN

### 6.1 ASTIANPESUKONEEN HÄVITTÄMINEN

Astianpesukone ei vaadi erityistoimenpiteitä hävittämisen yhteydessä.

### 6.2 TÄMÄN TUOTTEEN TURVALLINENE HÄVITTÄMINEN

(elektroniikka ja sänkölaitteet)



Oheinen merkintä tuotteessa tai tuotteen ohismateriaalissa merkitsee, että tätä tuotetta ei tule hävittää kotitalausjätteen mukana sen elinkaaren päätyttyä. Hallitsemattomasta jäteenkäsittelystä ympäristölle ja kanssaihminen terveydelle aiheutuvien vahinkojen välttämiseksi tuote käsitellä muista jätteistä erillään. Jäte on hyvä kierrättää raaka-aineiksi kestävän ympäristökehityksen takia.

Kotitalouskäyttäjien tulisi ottaa yhteyttä myyneeseen jälleenmyyjään tai paikalliseen ympäristöviranomaiseen, jotka antavat lisätietoja tuotteen turvallisista kierrätysmahdollisuuksista.

Yritysäyttäjien tulisi ottaa yhteyttä tavarantoimittajaan ja selvittää hankintasopimuksen ehdot. Tätä tuotetta ei tule hävittää muun kaupallisen jätteen seassa.

**ΠΙΝΑΚΑΣ ΠΕΡΙΕΧΟΜΕΝΩΝ**

<b>ΚΕΦ.1</b>	<b>ΕΙΣΑΓΩΓΗ</b>	<b>3</b>
<b>ΚΕΦ.2</b>	<b>ΕΓΚΑΤΑΣΤΑΣΗ</b>	<b>3</b>
2.1	ΜΕΤΑΚΙΝΗΣΗ ΚΑΙ ΑΠΟΣΥΣΚΕΥΑΣΙΑ	3
2.2	ΗΛΕΚΤΡΙΚΗ ΣΥΝΔΕΣΗ	4
2.3	ΥΔΡΑΥΛΙΚΗ ΣΥΝΔΕΣΗ	4
2.4	ΣΥΝΔΕΣΗ ΣΤΗ ΓΡΑΜΜΗ ΑΠΟΧΕΤΕΥΣΗΣ	5
2.5	ΔΙΑΦΟΡΕΣ ΡΥΘΜΙΣΕΙΣ	5
2.6	ΡΥΘΜΙΣΗ ΘΕΡΜΟΚΡΑΣΙΩΝ ΚΑΙ ΔΟΣΟΜΕΤΡΗΤΩΝ	6
<b>ΚΕΦ.3</b>	<b>ΣΥΣΤΑΣΕΙΣ ΑΣΦΑΛΕΙΑΣ</b>	<b>7</b>
3.1	ΥΠΟΛΟΙΠΟΜΕΝΟΙ ΚΙΝΔΥΝΟΙ ΚΑΙ ΠΡΟΕΙΔΟΠΟΙΗΣΕΙΣ	7
3.2	ΠΡΟΣΟΝ ΣΩΣΤΟΣ ΥΠΗΡΕΣΙΑ	7
3.3	ΕΡΙΚΙΝΔΥΝΕΣ ΠΕΡΙΟΧΕΣ	8
3.4	ΡΑΚΟΥΣΤΙΚ ΕΣ ΠΙ ΕΣΕΙΣ ΕΠΙΠ ΕΔΩΝ	9
3.5	ΜΗΝΥΜΑΤΑ ΣΦΑΛΜΑΤΟΣ	10
<b>ΚΕΦ.4</b>	<b>ΧΡΗΣΗ ΤΟΥ ΜΗΧΑΝΗΜΑΤΟΣ</b>	<b>11</b>
4.1	Υπόμνημα	11
4.2	ΧΡΗΣΗ ΤΗΣ ΣΥΣΚΕΥΗΣ	11
4.3	ΕΠΙΛΟΓΗ ΕΝΤΟΛΩΝ	12
4.4	ΕΝΕΡΓΕΙΕΣ ΚΑΤΑ ΤΟ ΤΕΛΟΣ ΕΡΓΑΣΙΑΣ	13
4.5	ΕΝΕΡΓΟΠΟΙΗΣΗ ΜΙΣΟΥ ΦΟΡΤΙΟΥ ΜΟΝΟ ΓΙΑ ΤΤ924	14
4.6	Εμφάνιση θερμοκρασιών	14
<b>ΚΕΦ.5</b>	<b>ΣΥΝΤΗΡΗΣΗ</b>	<b>14</b>
5.1	ΓΕΝΙΚΟΙ ΚΑΝΟΝΕΣ	15
5.2	<b>ΠΕΡΙΟΔΙΚΗ ΣΥΝΤΗΡΗΣΗ</b> (πρέπει να γίνεται το λιγότερο κάθε 20 ημέρες )	15
<b>ΚΕΦ.6</b>	<b>ΔΙΑΛΥΣΗ</b>	<b>15</b>
6.1	<b>ΔΙΑΛΥΣΗ ΤΗΣ ΣΥΣΚΕΥΗΣ</b>	15
6.2	Ωστή Διάθεση αυτού του Προϊόντος	16



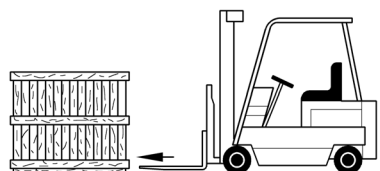
## Κεφ.1 Εισαγωγή

Οι υποδείξεις που περιέχονται στο παρόν εγχειρίδιο προσφέρουν σημαντικές ενδείξεις που αφορούν την ασφάλεια στις διάφορες φάσεις εγκατάστασης, χρήσης και συντήρησης.

Ο χειριστής πρέπει υποχρεωτικά να λάβει γνώση από το παρόν εγχειρίδιο πριν εκτελέσει οποιαδήποτε ενέργεια σχετική με την μετακίνηση, την εγκατάσταση, τη χρήση, τη συντήρηση και τη θέση εκτός λειτουργίας της συγκεκριμένης συσκευής. Κατά συνέπεια το παρόν πρέπει να φυλάσσεται ακέραιο σε ασφαλές μέρος με τη δυνατότητα να υπάρχουν αντίγραφα για τη συχνή συμβούλευσή του.

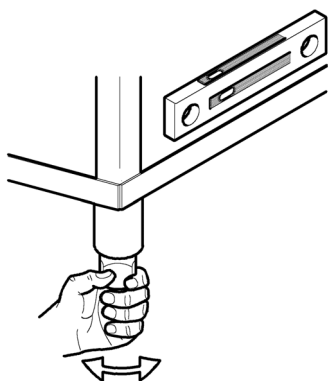
## ΚΕΦ.2 ΕΓΚΑΤΑΣΤΑΣΗ

### 2.1 ΜΕΤΑΚΙΝΗΣΗ ΚΑΙ ΑΠΟΣΥΣΚΕΥΑΣΙΑ



- Η μετακίνηση πρέπει να πραγματοποιηθεί με απόλυτη φροντίδα χρησιμοποιώντας ανυψωτήρα.
- Εξακριβώστε την ακεραιότητα της συσκευής και σε περίπτωση που υπάρχουν εμφανείς ζημιές πληροφορείστε αμέσως τον πωλητή και τον μεταφορέα που εκτέλεσε την μεταφορά.
- Μεταφέρετε τη συσκευή στον προβλεπόμενο για την εγκατάσταση χώρο απελευθερώνοντάς την από τη συσκευασία της.

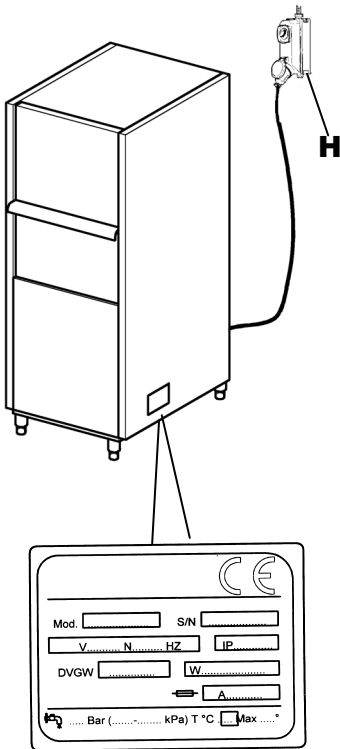
**Φυλάσσετε τα υλικά συσκευασίας (πλαστικές σακούλες, πολυουθεράνη, καρφιά κλπ.) μακριά από τα παιδιά γιατί θεωρούνται επικίνδυνα γι' αυτά.**



- Η εγκατάσταση πρέπει να πραγματοποιηθεί σύμφωνα με τις οδηγίες του κατασκευαστή και από ειδικά εκπαιδευμένο προσωπικό.
- Η συσκευή αυτή είναι κατάλληλη μόνο για μόνιμη εγκατάσταση.
- Φροντίστε ιδιαίτερα την τέλεια ισοστάθμιση της συσκευής ρυθμίζοντας τα πόδια.
- Η φύση του δαπέδου πρέπει να είναι κατάλληλη για το συνολικό βάρος της συσκευής.
- Ακολουθώντας τις υποδείξεις που αναγράφονται στο σχήμα εγκατάστασης της συσκευής προδιαθέστε, στο χώρο εγκατάστασής της, τα δίκτυα ηλεκτρικής τροφοδοσίας, παροχής νερού και αποχέτευσης.



## 2.2 ΗΛΕΚΤΡΙΚΗ ΣΥΝΔΕΣΗ

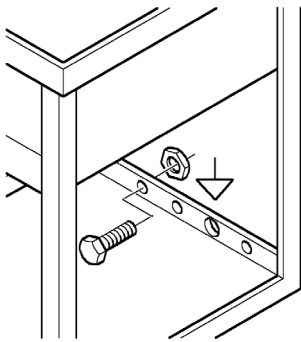


1. Η σύνδεση στο ηλεκτρικό δίκτυο πρέπει να πραγματοποιηθεί χρησιμοποιώντας έναν γενικό διακόπτη (H) Πρέπει να είναι με επαφές παντός τύπου, ούτως ώστε να διακόπτει όλες τις επαφές, συμπεριλαμβάνοντας και την ουδέτερη, να έχει ελάχιστη απόσταση μεταξύ των επαφών 3mm., με θερμομαγνητικό μηχανισμό ασφαλείας ή να είναι συνδεδεμένος με εύτηκτα ικανά να αντέξουν το μέγιστο ρεύμα που αναγράφεται στην πινακίδα.
2. Πρέπει να βεβαιωθείτε ότι η τάση και η συχνότητα αντιστοιχούν με εκείνες που αναγράφονται στην πινακίδα με τις τεχνικές προδιαγραφές που βρίσκεται τοποθετημένη στη δεξιά πλευρά της συσκευής.
3. Ένα ικανό δίκτυο γείωσης, που ανταποκρίνεται στους ισχύοντες κανονισμούς πρόληψης, αποτελεί εγγύηση για την ασφάλεια του χειριστή και της συσκευής.
4. Απαγορεύεται αυστηρά η χρήση φίς προσαρμογής, πολλαπλής πρίζας και μπαλαντέζας.
5. Η συσκευή πρέπει να είναι συνδεδεμένη και με ένα σύστημα με ίδια ισχύ, του οποίου η σύνδεση γίνεται με βίδες ενδεδειγμένο με το σύμβολο . Ο αγωγός της ίδιας ισχύος πρέπει να έχει μια τομή 10 χιλιοστών.



Το κορηγούμενο καλώδιο τροφοδοσίας πρέπει να αντικαθιστάται μόνο με ένα άλλο καλώδιο που να έχει την ίδια τομή τύπου H07RN-F.

Για περισσότερες πληροφορίες σας συνιστούμε να συμβουλευθείτε το συνημμένο ηλεκτρικό σχεδιάγραμμα.



## 2.3 ΥΔΡΑΥΛΙΚΗ ΣΥΝΔΕΣΗ

Προδιαθέστε τον χώρο εγκατάστασης σύμφωνα με το συνημμένο υδραυλικό σχεδιάγραμμα.

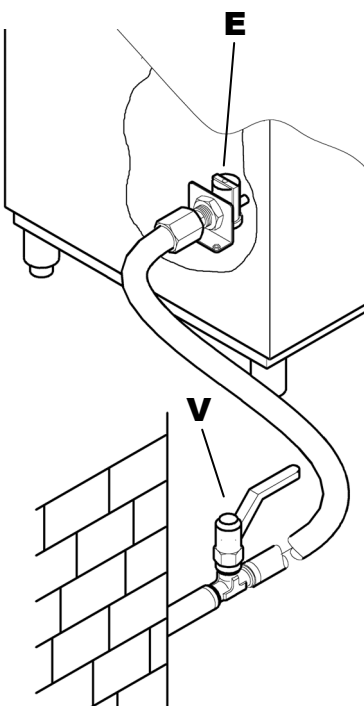
Προτού συνδέσετε τη συσκευή βεβαιωθείτε ότι μεταξύ του δικτύου τροφοδοσίας νερού και της συσκευής έχει τοποθετηθεί μια συρταρωτή βαλβίδα ασφαλείας που επιτρέπει τη διακοπή τροφοδότησης σε περίπτωση ανάγκης ή σε περίπτωση επισκευής.

Χρησιμοποιώντας έναν εύκαμπτο σωλήνα (σπιράλ) συνδέστε την ηλεκτροβαλβίδα παροχής (E) στη βαλβίδα ασφαλείας (V), κατόπιν βεβαιωθείτε ότι η παροχή τροφοδοσίας δεν είναι λιγότερη από τα 20 λ/μιν.

**Πρέπει να βεβαιωθείτε ότι η θερμοκρασία και η πίεση του νερού τροφοδοσίας αντιστοιχούν με εκείνες που αναγράφονται στην πινακίδα με τις τεχνικές προδιαγραφές.**

Σε περίπτωση που η σκληρότητα του νερού προκύπτει να είναι μεγαλύτερη από εκείνη που αναγράφεται στην πινακίδα, σας συνιστούμε να τοποθετήσετε έναν αποσκληρυντή πριν από την ηλεκτροβαλβίδα τροφοδότησης της συσκευής.

Σε περίπτωση που υπάρχουν υψηλές συμπυκνώσεις μεταλλικών ιζημάτων στο νερό, σας συνιστούμε να τοποθετήσετε μια εγκατάσταση αφαίρεσης των μεταλλικών ιζημάτων κατά τρόπο ώστε να επιτυγχάνεται η σκληρότητα που αναφέρεται στον κάτω πίνακα.

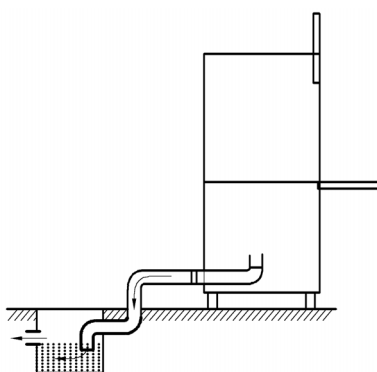




	Ιδιότητες		Από	Μέχρι
Σκληρότητα	Γαλλικοί βαθμοί	f	5	10
	Γερμανικοί βαθμοί	°dH	4	7'5
	Αγγλικοί βαθμοί	°e	5	9,5
	Μέρη στο εκατομμ	ppm	70	140
Μεταλλικά Ιζήματα	Μέγιστο	mg/l	300/400	



## 2.4 ΣΥΝΔΕΣΗ ΣΤΗ ΓΡΑΜΜΗ ΑΠΟΧΕΤΕΥΣΗΣ



- Το άδειασμα του κάδου συμβαίνει λόγω βαρύτητας, οπότε η αποχέτευση πρέπει να βρίσκεται σε χαμηλότερο επίπεδο σχετικά με τη βάση της συσκευής.
- Το στόμιο εκκένωσης, χρησιμοποιώντας έναν εύκαμπτο σωλήνα, πρέπει να συνδεθεί με ένα φρεάτιο ή με σιφώνι στο δάπεδο.

Οι διαστάσεις της αποχέτευσης της συσκευής περιγράφονται στο σχεδιάγραμμα εγκατάστασης.

## 2.5 ΔΙΑΦΟΡΕΣ ΡΥΘΜΙΣΕΙΣ

Εμφανίστε το “αρχικό μενού” τεχνικών ρυθμίσεων..

Προχωρήστε με τον τρόπο που περιγράφεται **(ΕΙΚ. 1)**

- Ανοίξτε το καπάκι ή το κάλυμμα
- Πατήστε ταυτόχρονα τα κουμπιά 2 και 3 (επιλογή κύκλου και start) για 5 δευτερόλεπτα
- Στη συνέχεια, πατώντας επανειλημμένα το κουμπί 1 (on /off συσκευής) μπορείτε να επιλέξετε τα στοιχεία με την σειρά που εμφανίζονται παρακάτω. Μπορείτε επίσης να ενεργοποιήσετε ή να αλλάξετε τις παραμέτρους με τα κουμπιά 2 και 3.
- Για έξοδο και για αποθήκευση των νέων ρυθμίσεων αρκεί να κρατήσετε πατημένο για μερικά δευτερόλεπτα το κουμπί 1.

**LANGUAGE:** Επιλογή γλώσσας

**THERMOSTOP:** Απενεργοποίηση της λειτουργίας thermostat

**ENERGY SAVING:** Ενεργοποίηση της λειτουργίας Energy saving.

**PREHEATING:** Ενεργοποίηση ταχείας θέρμανσης συσκευής.

**DETERGENT PUMP:** Συνεχής ενεργοποίηση της αντλίας απορρυπαντικού. Κρατώντας πατημένο το κουμπί 3 γεμίζει η αντλία απορρυπαντικού. Συνιστάται να γεμίσετε με απορρυπαντικό έως ότου ο σωλήνας αναρρόφησης να είναι εντελώς γεμάτος.

**RINSE AID PUMP:** Συνεχής ενεργοποίηση της αντλίας λαμπρυντικού. Κρατώντας πατημένο το κουμπί 3 γεμίζει η αντλία λαμπρυντικού. Συνιστάται να γεμίσετε με λαμπρυντικό έως ότου ο σωλήνας αναρρόφησης να είναι εντελώς γεμάτος.

**DOSAGE TIME DURING WASHING:** Με αυτήν τη λειτουργία μπορείτε να ρυθμίσετε το χρόνο ενεργοποίησης της αντλίας απορρυπαντικού, συνεπώς τη συγκέντρωση απορρυπαντικού στο δοχείο. Με τα κουμπιά 2 και 3 αυξάνεται ή μειώνεται ο χρόνος ενεργοποίησης.

**RINSE PRODUCT:** Με αυτή τη λειτουργία μπορείτε να ρυθμίσετε το χρόνο ενεργοποίησης της αντλίας λαμπρυντικού, συνεπώς την ποσότητα που χρησιμοποιείται. Με τα κουμπιά 2 και 3 αυξάνεται ή μειώνεται ο χρόνος ενεργοποίησης.

**DRAIN PUMP:** εξάρτημα που δεν τοποθετείται στην παρούσα συσκευή.

**WATER SOFTNER:** εξάρτημα που δεν τοποθετείται στην παρούσα συσκευή.

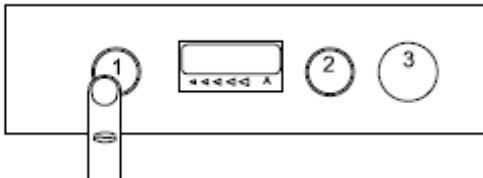
**EXTERNAL SOFTENER CYCLEIS:** Εξωτερική συσκευή καθαρισμού. Στην περίπτωση που η εγκατάσταση προβλέπει μία εξωτερική συσκευή προβλέπεται η επιλογή ενός αριθμού πλύσεων που όταν ξεπεραστεί η συσκευή προειδοποιεί με ένα μήνυμα ότι πρέπει να γίνει συντήρηση.

**CYCLE COUNTER:** Μετρητής ολοκληρωμένων κύκλων που έγιναν από το μηχάνημα.

## 2.6 ΡΥΘΜΙΣΗ ΘΕΡΜΟΚΡΑΣΙΩΝ ΚΑΙ ΔΟΣΟΜΕΤΡΗΤΩΝ

### - Ρύθμιση θερμοκρασιών:

Κρατώντας πατημένο το κουμπί 1 για μερικά δευτερόλεπτα εμφανίζεται η ένδειξη "A BOILER SET TEMPERATUR" με τα κουμπιά 2 και 3 μπορείτε να αυξήσετε ή να μειώσετε τη ρύθμιση θερμοκρασίας του θερμαντικού στοιχείου.



Πιέζοντας περισσότερες φορές το κουμπί 1 εμφανίζεται η ένδειξη "B TANK SET TEMPERATUR" ρύθμιση θερμοκρασίας στη δεξαμενή, για τα μοντέλα που διαθέτουν κύκλο πλύσης για μαχαιροπίρουνα μπορείτε να ρυθμίσετε τη θερμοκρασία του κύκλου πιέζοντας ξανά το κουμπί 1 για να εμφανιστεί το C FLATWAIRE.

Πάντα με τα κουμπιά 2 και 3 μπορείτε να ρυθμίσετε τη θερμοκρασία πλύσης.

Για έξοδο από αυτήν την κατάσταση κρατήστε πατημένο το κουμπί 1.

Σημείωση:

συνιστάται να σβήσετε και να ανάψετε ξανά τη συσκευή πιέζοντας περισσότερες φορές το κουμπί της γραμμής 1.

### - Ρύθμιση δΟΣΟΛΟΓΙΑΣ απορρυπαντικού.

**Προσοχή:** το απορρυπαντικό πρέπει να είναι βιομηχανικού τύπου, υγρό περιορισμένου αφρίσματος.

Πηγαίνετε στο "αρχικό μενού" τεχνικών ρυθμίσεων όπως περιγράφεται στο κεφ. 2.5 Εμφανίστε με το κουμπί 1 διαδοχικά τα στοιχεία έως ότου εμφανιστεί το "DOSAGE TIME DURING WASHING" Ο εμφανιζόμενος χρόνος αντιστοιχεί στο χρόνο ενεργοποίησης του δΟΣΟΜΕΤΡΗΤΗ απορρυπαντικού κατά τη

φάση πλήσης του προγράμματος. Μπορείτε να αλλάξετε αυτόν το χρόνο με τα κουμπιά 2 και 3, για έξοδο από αυτήν τη λειτουργία αρκεί να κρατήσετε πατημένο το κουμπί 1 μέχρι να εμφανιστούν οι παύλες. Ο επιλεγμένος χρόνος αθροίζεται στο χρόνο λειτουργίας για το αρχικό γέμισμα.

Η παροχή της ηλεκτρικής αντλίας απορρυπαντικού είναι 3 λίτρα/ώρα.

Υπενθυμίζουμε ότι η ποσότητα απορρυπαντικού μπορεί να διαφέρει ανάλογα με όσα αναφέρονται στην πινακίδα του δοχείου 2 έως 4 gr/L για νερά των οποίων η σκληρότητα είναι μεταξύ 5 – 10 °F (γαλλικοί βαθμοί).

#### - Ρύθμιση δΟΣΟΛΟΓΙΑΣ λαμπρυντικού.

Ανοίξτε το “αρχικό μενού” τεχνικών ρυθμίσεων όπως περιγράφεται στο κεφ. 2.5 Εμφανίστε με το κουμπί 1 διαδοχικά τα στοιχεία έως ότου εμφανιστεί το RINSE AID PUNP. Ο εμφανιζόμενος χρόνος αντιστοιχεί στο χρόνο ενεργοποίησης του δοσομετρητή λαμπρυντικού στο τέλος του προγράμματος πλήσης. Μπορείτε να αλλάξετε αυτόν το χρόνο με τα κουμπιά 2 και 3, για έξοδο από αυτήν τη λειτουργία αρκεί να κρατήσετε πατημένο το κουμπί 1 μέχρι να εμφανιστούν οι παύλες. Ο επιλεγμένος χρόνος αθροίζεται στο χρόνο λειτουργίας για το αρχικό γέμισμα.

Η παροχή της ηλεκτρικής αντλίας απορρυπαντικού είναι 0.4 λίτρα/ώρα

## Κεφ.3 ΣΥΣΤΑΣΕΙΣ ΑΣΦΑΛΕΙΑΣ



### 3.1 ΥΠΟΛΟΙΠΟΜΕΝΟΙ ΚΙΝΔΥΝΟΙ ΚΑΙ ΠΡΟΕΙΔΟΠΟΙΗΣΕΙΣ

- Μην ανοίγετε ποτέ απότομα την πόρτα της συσκευής, αν δεν έχει τελειώσει ο κύκλος πλυσίματος.
- Mhn buq...zetai potš gumn£ ta cšria saj sto nerO plUshj.
- Μην αποσυναρμολογείτε τα πάνελς της συσκευής αν δεν διακόψετε προηγουμένως την παροχή ρεύματος.
- Το τεχνικό προσωπικό που θα πραγματοποιήσει την εγκατάσταση και την ηλεκτρική σύνδεση, πρέπει να εκπαιδεύσει τον χειριστή σχετικά με τη λειτουργία της συσκευής και τα πιθανά μέτρα ασφάλειαφ που πρέπει να τηρηθούν.
- Το τεχνικό προσωπικό που θα κάνει την εγκατάσταση πρέπει να δέξει στο χειριστή της συσκευής με πρακτικό τρόπο πώς χρησιμοποιείται η συσκευή και θα πρέπει να του αφήσει και γραπτές οδηγίες που θα δωθούν μαζί με την συσκευή.
- Αυτή η συσκευή είναι προορισμένη μόνο για τη χρήση για την οποέα κατασκευάσθηκε. Οποιαδήποτε άλλη χρήση θεωρείται ακατάλληλη και για αυτό επικίνδυνη.
- Η συσκευή δεν πρέπει να χρησιμοποιείται από ανειδίκευτο προσωπικό.
- Μην χρησιμοποιείται ΠΟΤΕ την συσκευή χωρίς προστασίες (μικροεπαφές, ταμπλώ κτλ.) προκατασκευασμένες από τον κατασκευαστή, αυτό μπορεί να γίνει μόνο με την παρουσία ενόφς ειδικευμένου τεχνικού όπου θα πάρει τις απαραίτητες προφυλάξεις.
- Μην χρησιμοποιείται ΠΟΤΕ την συσκευή για να πλύνεται αντικείμενα τύπου, μεγέθουφ ή υλικού που δεν ανταποκρίνονται στις οδηγίες του κατασκευαστή.
- Η τυχών επιδιόρθωση του προϊόντος πρέπει να γίνει μόνο από την εταιρεία κατασκευής ή από ένα εξουσιοδοτημένο κέντρο χρησιμοποιώντας αποκλειστικά γνήσια ανταλλακτικά.
- Η ελλιπή εφαρμογή των υπεράνω θίτει σε κίνδυνο την ασφάλεια της συσκευής.
- Η συσκευή δεν πρέπει να μένει με τάση όταν δεν χρησιμοποιείται.
- Μην πλησιάζετε μαγνητικά αντικείμενα στη συσκευή, μπορεί να τεθεί σε λειτουργία απότομα.

#### ΕΙΝΑΙ ΣΗΜΑΝΤΙΚΟ ΝΑ ΓΝΩΡΙΖΕΤΕ ΟΤΙ:

- Η συσκευή πρέπει να συνδέεται σε ένα αποτελεσματικό κύκλωμα γείωσης το οποίο πρέπει να ελέγχεται τακτικά.

### 3.2 προσόν σωστός υπηρεσία

**Ambient θερμοκρασία : 40°Cmax 4°Cmin ( μέσος όρος 30°C)**

**υψόμετρο μέχρι 2000 μετρικός**

**συγγενής υγρασία : max 30% σε max 90% σε 20°C**

**μεταφορά και αποθήκευση : ανάμεσα -10°C και 55°C με ειρήνη μέχρι 70°C ( max 24h )**

**3.3 ΕΠΙΚΙΝΔΥΝΕΣ ΠΕΡΙΟΧΕΣ**

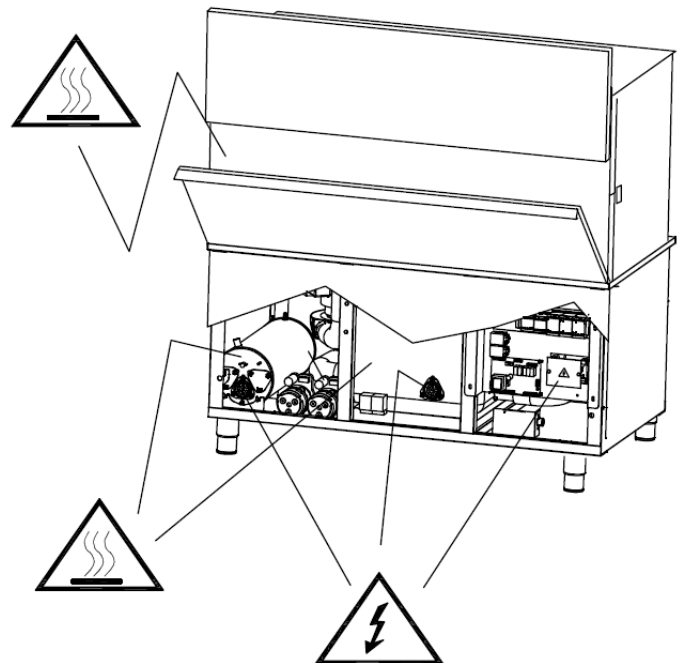
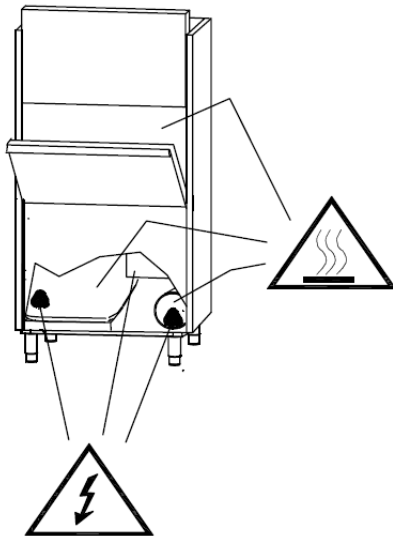
Προσδιορισμός των επικίνδυνων περιοχών, τρόπος (βλέπε σχέδιο επόμενη σελίδα) εμφάνισης αυτών και γενική περιγραφή των μέτρων προστασίας που έχουν ληφθεί.

**Επικίνδυνη ηλεκτρική τάση▪**

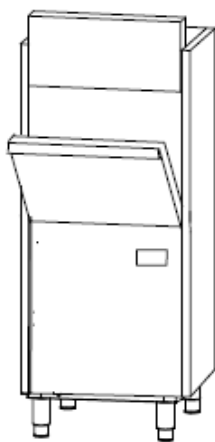
- γενικός ηλεκτρικός πίνακας
- ηλεκτρικές αντλίες
- εξαεριστήρας

**Κίνδυνος θερμικής φύσης**

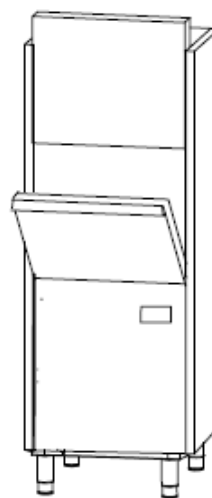
- ζεστα σημεία



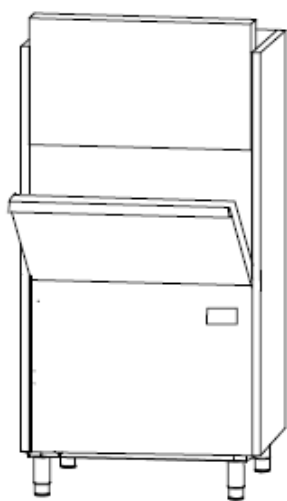
### 3.4 ΡΑΚΟΥΣΤΙΚΕΣ ΠΙΕΣΕΙΣ ΕΠΙΠΕΔΩΝ



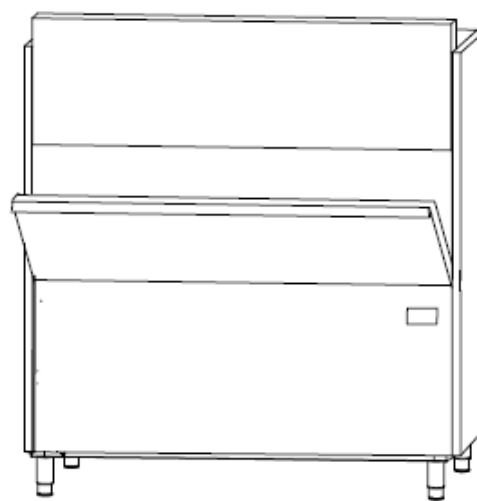
66 dB



66,8 dB



67,4 dB



74,3 dB

**3.5 ΜΗΝΥΜΑΤΑ ΣΦΑΛΜΑΤΟΣ****Τι κάνουμε όταν στην οθόνη εμφανίζεται:****ER 01 Δεν γίνεται ξέβγαλμα**

Όταν στην οθόνη εμφανίζεται αυτό το σφάλμα σημαίνει ότι το ξέβγαλμα δεν έγινε σωστά. Συνεπώς, συνιστάται να ελέγξετε αν οι καταιονιστήρες ξεπλύματος είναι εντελώς ελεύθεροι και να θέσετε εκ νέου σε λειτουργία το πρόγραμμα πλύσης, εάν το πρόβλημα παραμένει επικοινωνήστε με το εξουσιοδοτημένο κέντρο τεχνικής υποστήριξης.

**ER 02 Ανεπαρκές άδειασμα**

Όταν στην οθόνη εμφανίζεται αυτό το σφάλμα σημαίνει ότι ο κάδος δεν έχει αδειάσει εντελώς. Σβήστε και ανάψτε ξανά τη συσκευή, επιλέξτε το πρόγραμμα αδειάσματος, και:

- Βεβαιωθείτε ότι κατά τη διάρκεια του κύκλου αδειάσματος έχει αφαιρεθεί η υπερχειλίση από την αποχέτευση της δεξαμενής (για τις εκδόσεις με υπερχειλίση), στη συνέχεια ενεργοποιήστε εκ νέου το άδειασμα ή τον κύκλο αυτόματου καθαρισμού, αν το πρόβλημα παραμένει επικοινωνήστε με ένα εξουσιοδοτημένο κέντρο τεχνικής υποστήριξης.

**ER 03 Δεν γίνεται θέρμανση**

Όταν εμφανίζεται αυτό το μήνυμα σημαίνει ότι το θερμαντικό στοιχείο δεν θερμαίνει σωστά. Σβήστε και ανάψτε τη συσκευή και επαναλάβετε το επιλεγμένο πρόγραμμα, αν το πρόβλημα παραμένει επικοινωνήστε με ένα εξουσιοδοτημένο κέντρο τεχνικής υποστήριξης.

**Παράξενοι θόρυβοι κατά τη θέρμανση.**

Στην αντίσταση έχουν σχηματιστεί άλατα υψηλής αγωγιμότητας εξαιτίας του νερού, συνιστάται η άμεση αντικατάστασή της. Παρακαλούμε να ελέγξετε τη συσκευή καθαρισμού του νερού.

**04 E4 Δεν γεμίζει η δεξαμενή ή έχει σπάσει ο αισθητήρας νερού στη δεξαμενή.**

Όταν εμφανίζεται αυτό το μήνυμα σημαίνει ότι παρουσιάστηκε πρόβλημα κατά το γέμισμα.

Συνιστάται να βεβαιωθείτε ότι :

- Το δίκτυο παροχής νερού λειτουργεί κανονικά.
- Η υπερχειλίση είναι σωστά τοποθετημένη (για τα μοντέλα με υπερχειλίση).
- Η παροχή και η πίεση του νερού είναι κατάλληλες για τη συγκεκριμένη συσκευή.

Συνιστάται να σβήσετε και να ανάψετε τη συσκευή χωρίς να αδειάσετε το νερό, αν το πρόβλημα παραμένει

επικοινωνήστε με ένα εξουσιοδοτημένο κέντρο τεχνικής υποστήριξης.

**ER 05, ER 06 Σπάσιμο του αισθητήρα ελέγχου θερμοκρασίας στη δεξαμενή.**

Το μήνυμα αυτό εμφανίζεται όταν σπάσει ο αισθητήρας που ελέγχει τη θερμοκρασία στη δεξαμενή.

Er 05: αισθητήρας ανοιχτός

Er 06: αισθητήρας βραχυκυκλωμένος

Συνιστάται να επικοινωνήσετε με ένα εξουσιοδοτημένο κέντρο τεχνικής υποστήριξης

**ER 07, ER 08 Σπάσιμο του αισθητήρα ελέγχου θερμοκρασίας του θερμαντικού στοιχείου.**

Το μήνυμα αυτό εμφανίζεται όταν σπάσει ο αισθητήρας που ελέγχει τη θερμοκρασία στο θερμοσίφωνα.

Er 07: αισθητήρας ανοιχτός

Er 08: αισθητήρας βραχυκυκλωμένος

Συνιστάται να επικοινωνήσετε με ένα εξουσιοδοτημένο κέντρο τεχνικής υποστήριξης

**ER 09 Δεν γεμίζει το θερμαντικό στοιχείο ή έχει σπάσει ο αισθητήρας στάθμης του θερμαντικού στοιχείου.**

Αυτό το μήνυμα εμφανίζεται όταν το θερμαντικό στοιχείο δεν έχει γεμίσει επαρκώς. Για να αποφευχθεί το ανεπαρκές ξέβγαλμα των σκευών η συσκευή μπλοκάρει.

- Βεβαιωθείτε ότι είναι κανονική η παροχή και η υδραυλική πίεση.
- Συνιστάται να επικοινωνήσετε με ένα εξουσιοδοτημένο κέντρο τεχνικής υποστήριξης

**HIR b Υπερβολική θερμοκρασία στο ξέβγαλμα.**

Αυτό το μήνυμα εμφανίζεται όταν ο αισθητήρας θερμοκρασίας του θερμοσίφωνα εντοπίσει υπερβολικά υψηλή θερμοκρασία.

Πρέπει να χαμηλώσετε την επιλεγμένη θερμοκρασία στο θερμοσίφωνα.

- Υπενθυμίζουμε ότι η επέμβαση των ασφαλειών και οι ενδείξεις υψηλής θερμοκρασίας μπορεί να προκληθεί από το γεγονός ότι η ίδια η συσκευή έχει εγκατασταθεί σε υψόμετρο άνω των 2000 μέτρων. Σε αυτήν την περίπτωση συνιστάται να χαμηλώσετε κάθε ρύθμιση θέρμανσης δεδομένου ότι το σημείο βρασμού του νερού χαμηλώνει.

**HIW T Υπερβολική θερμοκρασία πλήσης.**

Αυτό το μήνυμα εμφανίζεται όταν ο αισθητήρας θερμοκρασίας κάδου εντοπίσει υπερβολικά υψηλή θερμοκρασία.

Πρέπει να χαμηλώσετε την επιλεγμένη θερμοκρασία στη δεξαμενή

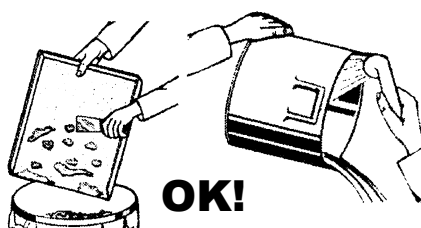
**SAFE Επέμβαση θερμοστατών ασφαλείας**

Συνιστάται να επικοινωνήσετε με ένα εξουσιοδοτημένο κέντρο τεχνικής υποστήριξης

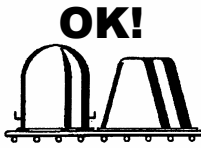
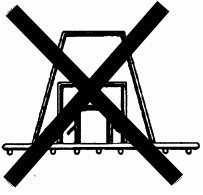
**Κεφ.4 ΧΡΗΣΗ ΤΟΥ ΜΗΧΑΝΗΜΑΤΟΣ****4.1 Υπόμνημα**

Αναφερόμενοι στην **Εικ.1** έχουμε:

<b>1</b>	<b>ΠΛΗΚΤΡΟ ON/OFF</b>	<b>4</b>	<b>ΟΘΟΝΗ ΠΛΗΡΟΦΟΡΙΣ</b>
<b>2</b>	<b>ΠΛΗΚΤΡΟ ΕΠΙΛΟΓΗ ΠΡΟΓΡΑΜΜΑΤΩΝ</b>	<b>5</b>	<b>ΓΡΑΜΜΗ ΧΡΟΝΟΥ</b>
<b>3</b>	<b>ΠΛΗΚΤΡΟ START</b>		

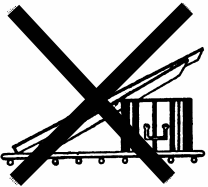
**4.2 ΧΡΗΣΗ ΤΗΣ ΣΥΣΚΕΥΗΣ**

Για να περιορίσετε, όσο το δυνατόν περισσότερο, την συντήρηση ΣΥΝΙΣΤΟΥΜΕ ΜΙΑ ΠΡΟΣΕΚΤΙΚΗ ΚΑΘΑΡΙΟΤΗΤΑ των σκευών. Η απομάκρυνση υπολοιμάτων τροφών, λεμονόφλουδων, οδοντογλυφών, κουκουτσιών από ελιές κλπ. που θα μπορούσαν να βουλώσουν εν μέρει το



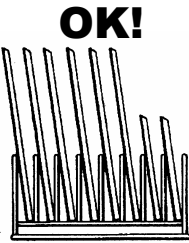
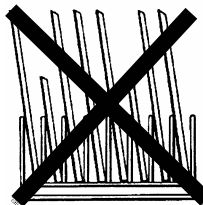
φίλτρο της ηλεκτροβαλβίδας, μειωνονταςύ την ικανότητα πλύσης, καλυτερεύει ουσιαστικά την ποιότητα του τελικού αποτελέσματος.

Συμβουλευό ουμε να πλίνετε τα σκεύ η πριν τα υπολοί ματα τροφών κολλήσουν πάνω στην επιφάνεια τουφ. Σε περίπτωση που πάνω στα σκεύ η υπάρχουν υπολοί ματα ξεραμένων τροφων είναι καλό να μείνουν για λίγο διάστημα μέσα στο νερό για μού λιασμα πριν τοποθετηθον σ τη συσκευή.



- Ακολουθώνταςι τις οδηγίες του κατασκευαστή, βάλτε την κατάλλη λη ποσότητα απορρυπαντικού στη δεξαμενή πλύσης.

- Το απορρυπαντικό πρπει να είναι βιομηχανικού τύπου για δημιουρ γία λίγης σαπουνάδας.



- Μην βάζετε γυμνά χέρια στην αλίσιβα τηφ πλύ σηςφ, τοποθετήστε τ α φλυτζάνια και τα ποτήρια αναποδογυρισμένα στα καλάθια. Τοποθετ ή στε τα πιάτα στο ειδικό καλάθι με την εσωτερική επιφάνεια γυρισμν η προς τα πάνω.

- Τοποθετήστε τα μαχαιροπήρουνα και τα κουταλάκια του καφ πρ οφ τα κάτω.

- Μην τοποθετή τε στο ίδιο καλάθι, ασημένα και ανοξείδωτα μαχαιροπήρουνα. Σαν αποτέλεσμα θα έχετε να σκουρίνει το ασημί και μια πιθανή διάβρωση του ανοξείδωτου ατσαλιού.

- Χρησιμοποιείται τα ειδικά καλάθια που είναι κατασκευασμέ να σκ οπίμως για διαφορετικά είδη σκευών (πιάτα, ποτήρια, φλυτζάνια, μαχαιροπήρουνα κλπ.). Για την εξοικονόμηση απορρυπαντικού και ηλεκτικ ής ενέ ργειας, πλένετε μό νο γεμάτα καλάθια, χωρί όμως να τα φορτώνε ται. Αποφεύ γεται κάθε υπέρθεση σκευών.

### 4.3 ΕΠΙΛΟΓΗ ΕΝΤΟΛΩΝ

1 ) Για να ανάψετε τη συσκευή πατήστε το κουμπί **1** (**Εικ. 1**).

Το κουμπί **3** αρχίζει να αναβοσβήνει, η συσκευή αρχίζει να γεμίζει, θυμηθείτε να τοποθετήσετε σωστά την υπερχειλίση, τα φίλτρα στον κάδο και να κλείσετε το καπάκι.

Αφού γεμίσει, η συσκευή αρχίζει αυτόματα να ζεσταίνει το νερό και ταυτόχρονα αναρροφά την επιλεγμένη ποσότητα απορρυπαντικών.

2) Η συσκευή θα είναι έτοιμη για χρήση όταν το φωτιζόμενο κουμπί **3** θα ανάψει με πράσινο χρώμα. (**Εικ. 2**).

3) Επιλέξτε τη διάρκεια του προγράμματος πλύσης ανάλογα με τις ανάγκες σας χρησιμοποιώντας το κουμπί **2** (**Εικ. 3**).

Μπορείτε να επιλέξετε κυκλικά προγράμματα πλύσης από 2 έως 12 λεπτά περίπου και επιπλέον ένα πρόγραμμα αυτόματου καθαρισμού CLS.

Το επιλεγμένο πρόγραμμα παραμένει στη μνήμη για τις επόμενες χρήσεις.

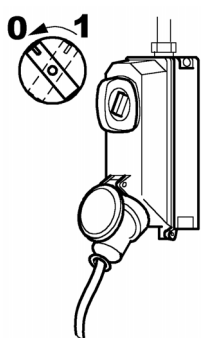
4) Ανοίξτε την πόρτα και βάλτε μέσα τα αντικείμενα προς πλύση τοποθετημένα με τον τρόπο που περιγράφεται στο επόμενο κεφάλαιο "4.3 Τακτοποίηση σκευών." Στη συνέχεια κλείστε την πόρτα και ξεκινήστε τη λειτουργία πλύσης πατώντας το κουμπί **3**. Κατά τη διάρκεια πλύσης το κουμπί ανάβει με γαλάζιο χρώμα.



5) Αφού τελειώσει το πλύσιμο το μηχάνημα εκπέμπει τρία μπιπ και εμφανίζεται η ένδειξη **τέλος (Εικ. 5)**. Ανοίξτε την πόρτα, βγάλτε το καλάθι και περιμένετε μερικά δευτερόλεπτα προκειμένου να στεγνώσουν όλα τα σκεύη.

#### 4.4 ΕΝΕΡΓΕΙΕΣ ΚΑΤΑ ΤΟ ΤΕΛΟΣ ΕΡΓΑΣΙΑΣ

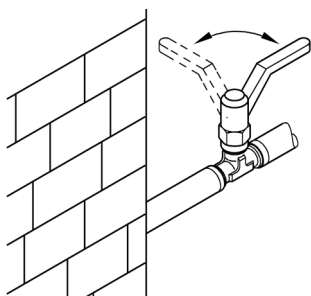
- Κάντε έναν κύκλο αυτόματου καθαρισμού. Επιλέξτε με το κουμπί **2 (Εικ 6)** το πρόγραμμα “CLS” και στη συνέχεια αφαιρέστε τα φίλτρα, βγάλτε την υπερχειλίση, κλείστε το καπάκι και πιέστε το κουμπί **3**.



- Μόλις τελειώσει το άδειασμα το μηχάνημα εκτελεί δύο κύκλους ξεβγάλματος και μετά την ολοκλήρωσή τους το μηχάνημα σβήνει αυτόματα.

- Διακόψτε την ηλεκτρική

- Ανοίξτε την πόρτα και βγάλτε το καλάθι με τα καθαρά πιατικά.

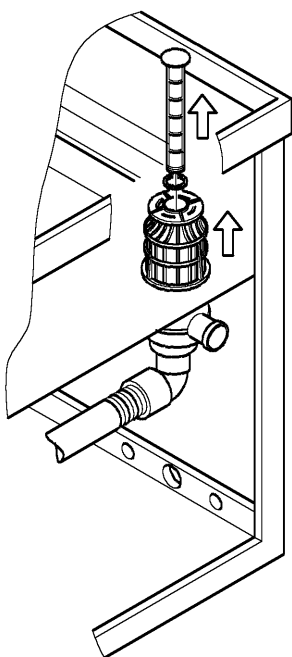


- Αδειάστε το νερό από τη δεξαμενή συκώνοντας τον εκχυλινστήρα. Για το μοντέλλο εφοδιασμένο με αντλία αδειάσματος ακολουθήστε τις ενέργειες αναφερόμενες στην παράγραφο “Οδηγίες για τη χρήση”.

- Αποσυνδέστε τον γενικό διακόπτη που βρίσκεται πάνω (ή πίσω) στη συσκευή.

- Κλείστε την βαλβίδα-ρολότι της συσκευής.

Βγάλτε τα φίλτρα, πλύντε τα κάτω από τρεχούμενο νερό με μια βούρτσά από νάυλον.



- Προσέξτε να μην ρίξετε υπολείματα τροφών που βρίσκονται στον πάτο του φίλτρου της αντλίας αδειάσματος, στο εσωτερικό της δεξαμενής. Καθαρίστε την δεξαμενή με νερό περιορισμένης πίεσης. Πλύνετε τις εξωτερικές επιφάνειες, όταν είναι κρύες με προϊόντα που δεν είναι όξινα και είναι κατάλληλα για τη συντήρηση του ατσαλιού.

**ΠΡΟΣΟΧΗ:** Μην πλένετε την συσκευή με νερό υψηλής πίεσης γιατί είναι δυνατόν να γίνουν εισχωρήσεις στα ηλεκτρικά στοιχεία και να προδικάσουν την κανονική λειτουργία της συσκευής και του κάθε συστήματος ασφαλείας με συνέπεια την πτώση της εγγύησης.

#### 4.5 ΕΝΕΡΓΟΠΟΙΗΣΗ ΜΙΣΟΥ ΦΟΡΤΙΟΥ ΜΟΝΟ ΓΙΑ ΤΤ924

Μπορείτε να ενεργοποιήσετε τη λειτουργία “μισό φορτίο” η οποία είναι χρήσιμη όταν έχουμε λίγα πράγματα για πλύσιμο, επιτυγχάνοντας έτσι εξοικονόμηση ενέργειας, νερού και απορρυπαντικού.

- 1) Τοποθετήστε τα σκεύη για πλύσιμο στη δεξιά πλευρά της συσκευής, όπως φαίνεται στην **(Εικ. 7)**.
- 2) Ανοίξτε την πόρτα και κρατήστε πατημένο το start **3** έως ότου ανάψει η λυχνία **M (Εικ. 8)**
- 3) Κλείστε την πόρτα και ενεργοποιήστε την πλύση με τον τρόπο που περιγράφεται στο προηγούμενο κεφάλαιο.
- 4) Κατά τη διάρκεια πλύσης εμφανίζεται στην οθόνη ένα σύμβολο το οποίο δείχνει ότι η συσκευή λειτουργεί με μισό φορτίο.

#### 4.6 Εμφάνιση θερμοκρασιών

Η οθόνη 9 **(Εικ.1 )** δείχνει συνεχώς τη θερμοκρασία ξεβγάλματος, κρατώντας πατημένο το κουμπί **4** για μερικά δευτερόλεπτα **(Εικ.4 )** εμφανίζεται η θερμοκρασία πλύσης και στη συνέχεια ο αριθμός πλύσεων που έγιναν σε όλη τη διάρκεια ζωής της συσκευής.

### Κεφ.5 SUNTHRSH

#### 5.1 ΓΕΝΙΚΟΙ ΚΑΝΟΝΕΣ

Οι συσκευές με σύστημα έλξης είναι σχεδιασμένες για να περιορίζουν στο ελάχιστο τις ανάγκες συντήρησης. Οι κανόνες που ακολουθούν πρέπει να τηρούνται σε όλες τις περιπτώσεις για μια μακροπρόθεσμη εγγύηση της λειτουργίας της συσκευής χωρίς απρόοπτα.

Σε κάθε περίπτωση πρέπει να τηρούνται μερικοί γενικοί κανόνες για να διατηρηθεί η συσκευή σε τέλεια κατάσταση κίνησης :

- διατηρήστε την συσκευή καθαρή και σε τάξη:
- αποφεύγετε να γίνονται συστηματικές οι προσωρινές επιδιορθώσεις ή οι επιδιορθώσεις ανάγκης.

Η αυστηρή τήρηση των κανόνων περιοδικής συντήρησης είναι πολύ σημαντικές : όλα τα όργανα της συσκευής πρέπει να ελέγχονται τακτικά για την αποφυγή πιθανών ανωμαλιών, προβλέποντας μ' αυτόν τον τρόπο τον απαραίτητο χρόνο και τα μέσα για τυχόν επεμβάσεις συντήρησης.

Πριν αποφασιστεί να καθαριστεί η συσκευή διακοπτε την ηλεκτρική τροφοδοσία στη συσκευή.

## 5.2 ΠΕΡΙΟΔΙΚΗ ΣΥΝΤΗΡΗΣΗ (πρέπει να γίνεται το λιγότερο κάθε 20 ημέρες )

Για την διευκόλυνση των ενεργειών που ακολουθούν μπορεί α βγεί απ ό την θέση του το πλαί σιο που κινεί το καλάθι.

- Αποσυνδέσετε τους πάνω και κάτω βραχίονες ξεπλύματος .
- Ξεβιδώστε και καθαρίστε όλους τους ψεκαστήρες και ξανατοποθετήστε τους στο μέρος τους .
- Αποσυνδέσετε τους πάνω και κάτω βραχίονες ξεβιδώνοντας τον στροφέα ξεπλύματος : καθαρίστε τους και ξεπλύντε τους .
- Βγάλτε το φίλτρο αντλίας πλύσης (3) καθαρίστε το και ξεπλύνετε το .
- Σ' αυτό το σημείο πλύνετε με μεγάλη προσοχή την δεξαμενή πλύσης .
- Ασήστε ανοικτή την κουκούλα της συσκευήςό λο το χρονικό διάστημα στάσης .
- Εξ αιτίας της παρουσίας αλάτων στο νερό , μετά από ένα χρονικό διάστημα χρήσης , που αλλάζει ανάλογα με τη σκληρότητα του νερού, δημιουργείτε πάνω στις εσωτερικές επιφάνειες τις δεξαμενής τοι μπό ιλερ και των αγωγών μια ασβεστώδεις επένδυση που μπορεί να προδικάσει την καλή λειτουργία της συσκευής .
- Γι' αυτό το λόγο πρέπει να φροντίζετε να γίνεται μια περιοδική απομάκρυνση της ασβεστώδης επένδυσης , που συμβουλεύουμε να εκτελείται από έμπειρο τεχνικό προσωπικό .
- Αν η συσκευή πρέπει να μείνει αχρησιμοποίητη για μεγάλο χρονικό διάστημα, λαδώστε τις ανοξοϊδωτες επιφάνειες με λάδι βαζελίνης . Καλέστε έμπειρο τεχνικό προσωπικό για να αδειάσει το νερό από το μπό ιλερ και από την αντλία πλύσης .
- Αν υπάρχει πιθανότητα δημιουργίας πάγου, καλέστε έμπειρο τεχνικό προσωπικό για να αδειάσει το νερό από το μπό ιλερ και από την αντλία πλύσης .
- Σε περίπτωση κακής λειτουργίας ή ζημιών, απευθυνθείτε αποκλειστικά σε ένα τεχνικό κέντρο εξουσιοδοτημένο από τον Αντιπρόσωπο αυτού.

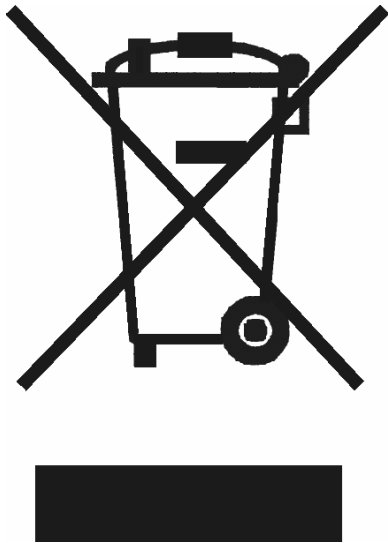


## Κεφ.6 ΔΙΑΛΥΣΗ

### 6.1 ΔΙΑΛΥΣΗ ΤΗΣ ΣΥΣΚΕΥΗΣ

Στις δικές μας συσκευές δεν υπάρχουν υλικά που να απαιτούν ιδιαίτερες διαδικασίες χώνευσης .

## 6.2 Ωστή Διάθεση αυτού του Προϊόντος (Απορρίμματα Ηλεκτρικού Εξοπλισμού)



Τα σήματα που εμφανίζονται επάνω στο προϊόν ή στα εγχειρίδια που το συνοδεύουν, υποδεικνύουν ότι δεν θα πρέπει να ρίπταται να μαζί με τα υπόλοιπα οικιακά απορρίμματα μετά το τέλος του κύκλου ζωής. Προκειμένου να αποφευχθούν ενδεχόμενες βλαβερές συνέπειες στο περιβάλλον ή την υγεία εξαιτίας της ανεξέλεγκτης διάθεσης απορριμμάτων, σας παρακαλούμε να το διαχωρίσετε από άλλους τύπους απορριμμάτων και να το ανακυκλώσετε, ώστε να βοηθήσετε στην βιώσιμη επαναξρσιμοποίηση των υλικών πόρων.

Οι οικιακοί χρήστες θα πρέπει να έλθουν σε επικοινωνία είτε με τον πωλητή απ όπου αγόρασαν αυτό το προϊόν, είτε τις κατά τόπους υπηρεσίες, προκειμένου να πληροφορηθούν τις λεπτομέρειες σχετικά με τον τόπο και τον τρόπο με τον οποίο μπορούν να δώσουν αυτό το προϊόν για ασφαλή προς το περιβάλλον ανακύκλωση.

Οι επιχειρήσεις-χρήστες θα πρέπει να σε έλθουν σε επαφή με τον προμηθευτή τους και να ελέγξουν τους όρους και τις προϋποθέσεις του συμβολαίου πώλησης. Το προϊόν αυτό δεν θα πρέπει αν αναμιγνύεται με άλλα συνηθισμένα απορρίμματα προς διάθεση.







